

JCP replacement parts and supplies

From the beginning, 30 years ago, JCP has grown to become the largest independent supplier of replacement parts and supplies for AMF and Brunswick bowling equipment.

Our high inventory levels assure you that your order can be shipped within 24 hours without a minimum quantity requirement.

To further serve your needs, we also stock hard-to-get discontinued parts.

We also supply and install all types and models of bowling equipment.

In addition, complete capital equipment packages are available.

Quality you can depend on, pricing you can save on.

You don't become the world's largest independent supplier of replacement parts for AMF and Brunswick equipment without offering the highest levels of quality...at some of the lowest prices available.

At JCP, our advanced production facility and stringent quality control procedures ensure reliable performance in every product we manufacture. Our parts always meet demanding industry specs - guaranteed to perform to your every expectation.

The answers you need, when you need them.

When you call JCP, we respond. In fact, you can call or fax us, and we'll offer you hands-on assistance and knowledgeable technical support for every part and system we sell.

Having a global partner can make a world of difference.

JCP is a worldwide company, putting global resources at your disposal. We maintain an extensive distributor base all over the world. So no matter where you are, we can service your needs quickly. This can prevent downtime for you, making a big difference in your bottom line and customer satisfaction.



Call 631-582-5450 in NY or Fax 631-582-5875. Outside the NY area, 1-800-366-4JCP.

for Brunswick equipment.

One catalog, thousands of parts at your fingertips.

This is the most comprehensive assortment of replacement parts for Brunswick bowling equipment JCP has ever compiled, an all-inclusive parts catalog containing thousands of individual parts and assembly components to meet your unique requirements.

The following pages contain everything from hardware to motors - all at your fingertips for fast referencing and convenient ordering.

We've made it simple to find what you want.

We know you don't have time to search for a part...you need to find it right away. So we've made this catalog extra user-friendly.

For example, our easy-reference hardware section includes sizing illustrations that show the actual size of bushings, nuts and washers - use these illustrations to be sure you order the exact hardware you need.

Questions? Call us.

Our catalog should answer just about any question you may have about parts and supplies.

However, if you need assistance, don't hesitate to call 631-582-5450, fax 631-582-5875 or call toll-free (outside the NY area) 1-800-366-4JCP (4527).

We're ready with the answers.

Brunswick used throughout this catalog is the registered trademark of the Brunswick Corporation and is in no way associated with JCP Construction Corp. and/or JCP Precision Bowling Systems.



Call 631-582-5450 in NY or Fax 631-582-5875. Outside the NY area, 1-800-366-4JCP.



GEAR BOX ASSEMBLY QUICK REFERENCE

**JCP
EXCLUSIVE**



JCP 1 Piece Clutch Pulley
12-860630-000J
JCP Clutch Pulley+Brg.Assy
12-860717-000J

- ◀ Precision Machined Aluminum
- ◀ One Piece Design
- ◀ No More Plate Separation



12-862185-000
DECK LIFT CRANK



12-100313-000
MOVING DECK CAM LEVER



12-100207-000
MOUNTING PLATE



12-860613-000
CLUTCH DRIVE DISC
ASSY.



12-860626-000
CLUTCH DRIVE DISC



12-860171-000
WORM SHAFT

12-100146-000
CLUTCH SHOES



12-102236-J
BELL CRANK URETHANE



12-100174-002
WORM GEAR



12-860628-000
COVER 1 TO 1



12-860716-000
CLUTCH BEARING ASSY



12-100370-000
YOKE & BEARING ASSY



12-102176-000
CLUTCH RESET LEVER



12-100178-000
DECK HOOK CAM LEVER



12-100316-000
GEAR BOX OIL PAN



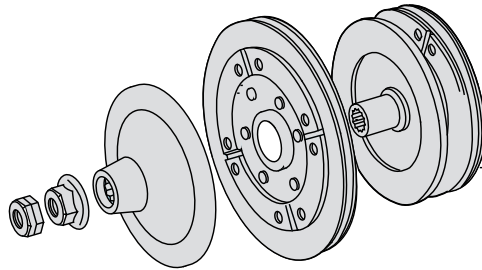
12-100486-000
CLUTCH LEVER ASSY

GEAR BOX ASSEMBLY

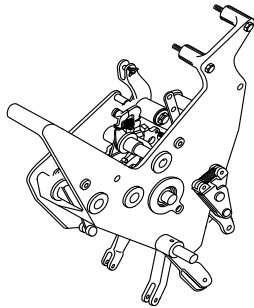


Call 631-582-5450 in NY or Fax 631-582-5875. Outside the NY area, 1-800-366-4JCP.

Section 1 Gear Box Assembly

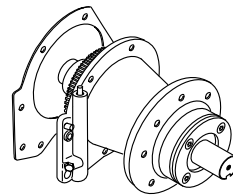


EXCHANGE PROGRAM



DETECTOR

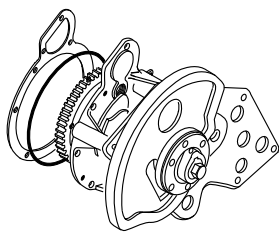
12-860038-081 REBUILT DETECTOR, A
12-862038-081 REBUILT DETECTOR, A2



RAKE CRANK HOUSING (4:1)

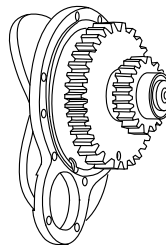
MODEL A 12-860863-002 NEW
(60:1) 12-860863-081 REBUILT

MODEL A-2 12-862863-003 NEW
(60:1) 12-862863-081 REBUILT



1 TO 1 GEAR BOX ASSY

MODEL A OR A-2 CONVERTED
12-860065-000 NEW
12-860065-081 REBUILT
MODEL A-2 (SCOTCH YOKE)
12-862065-000 NEW
12-862065-081 REBUILT
MODEL A-2 (LOWERING LINKS)
12-860065-000 NEW
12-860065-081 REBUILT



DECK LIFT CRANK (2:1)

MODEL A OR A-2 CONVERTED
12-860064-000 NEW
12-860064-081 REBUILT
MODEL A-2 (SCOTCH YOKE)
12-862074-000 NEW
12-862074-081 REBUILT
MODEL A-2 (LOWERING LINKS)
12-860064-000 NEW
12-860064-081 REBUILT

GEAR BOX ASSEMBLY

2

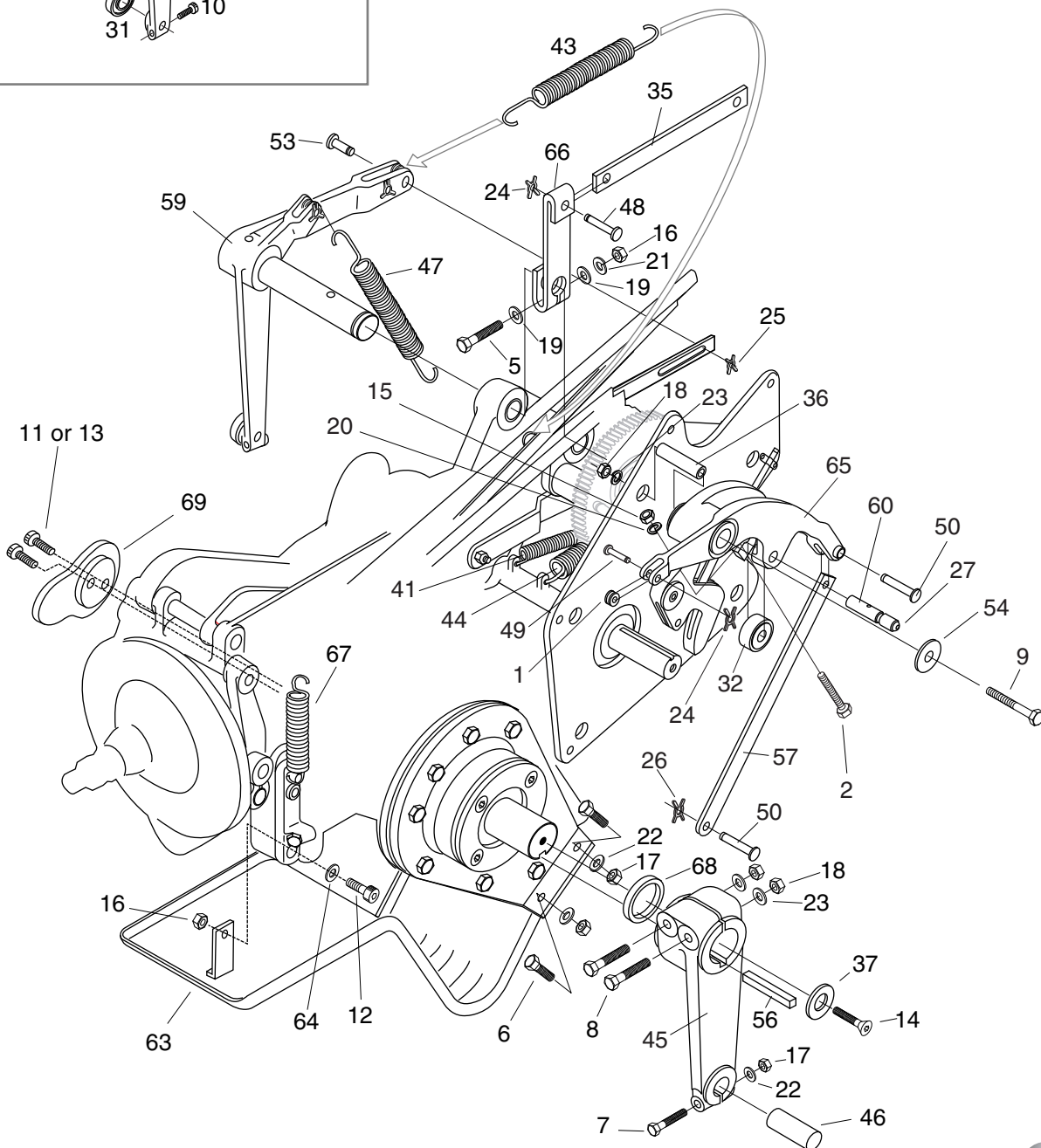
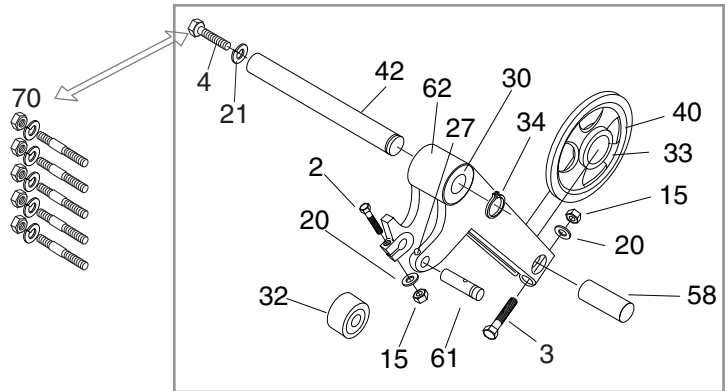
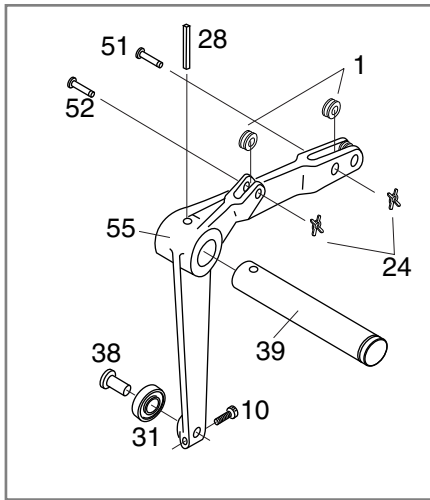
GEAR BOX ASSEMBLY

ITEM	PART NUMBER	DESCRIPTION	ITEM	PART NUMBER	DESCRIPTION
1	10-376010-000	SPRING ROLLER	36	12-100046-003	SPACER
2	11-001068-000	HEX HD SCREW	37	12-100065-002	WASHER
3	11-001070-000	HEX HD SCREW	38	12-100069-000	STUD
4	11-001266-000	HEX HD SCREW	39	12-100072-000	CAM LEVER SHAFT
5	11-001270-000	HEX HD SCREW	40	12-100081-000	PULLEY ASSY
6	11-001346-000	HEX HD SCREW	41	12-100102-000	SPRING
7	11-001352-000	HEX HEAD SCREW	42	12-100104-000	SHAFT
8	11-001515-000	HEX HD SCREW	43	12-100107-000	TENSION SPRING
9	11-001517-000	HEX HD SCREW	44	12-100109-000	SPRING
10	11-005092-000	SOC HD CAP SCREW	45	12-100134-000	CRANK ARM
11	11-005263-000	SOC HD CAP SCREW	46	12-100141-002	PIN
12	11-005266-000	SOC HD CAP SCREW	47	12-100159-000	TENSION SPRING
13	11-007264-000	SOC FLHD SCREW	48	12-100166-005	X-WASHER PIN
14	11-007344-000	SOFL HD SCREW	49	12-100166-006	X-WASHER PIN
15	11-125004-000	HEX NUT	50	12-100166-021	X-WASHER PIN
16	11-125102-000	HEX NUT	51	12-100166-022	X-WASHER PIN
17	11-125104-000	HEX NUT	52	12-100166-024	X-WASHER PIN
18	11-125108-000	HEX NUT	53	12-100166-027	X-WASHER PIN
19	11-190012-000	PLAIN WASHER	54	12-100170-007	WASHER
20	11-195010-000	LOCKWASHER	55	12-100178-000	DECK HOOK CAM LEVER
21	11-195015-000	LOCKWASHER	56	12-100187-003	SQUARE KEY
22	11-195016-000	LOCKWASHER	57	12-100219-000	CAM LEVER LINK
23	11-195018-000	LOCKWASHER	58	12-100226-000	PIN
24	11-230000-001	X-WASHER	59	12-100242-000	DECK HOOK CAM LEVER ASSY
25	11-230001-001	X-WASHER	60	12-100305-000	PIN ASSY
26	11-230002-001	X-WASHER	61	12-100306-000	PIN ASSY
27	11-280002-000	GREASE FITTING	62	12-100313-000	MOVING DECK CAM LEVER
28	11-360568-000	SPIROL PIN	63	12-100316-000	GEARBOX OIL PAN
29	11-420038-000	OILITE BEARING	64	12-100344-002	GASKET
30	11-421109-000	OILITE BEARING	65	12-100365-000	LEVER & BEARING ASSY
31	11-435001-000	BEARING	66	12-100392-000	HOOK LATCH LEVER
32	11-450301-000	BEARING	67	12-102043-000	TENSION SPRING
33	11-481002-000	BEARING	68	12-102167-000	SPACER
34	11-530027-000	RETAINING RING	69	12-102418-000	CLUTCH CAM
35	12-100064-000	CONNECTING BAR	70	12-1107	STUD KIT (ALTERNATE FOR ITEM 4)



Call 631-582-5450 in NY or Fax 631-582-5875. Outside the NY area, 1-800-366-4JCP.

GEAR BOX ASSEMBLY



GEAR BOX ASSEMBLY

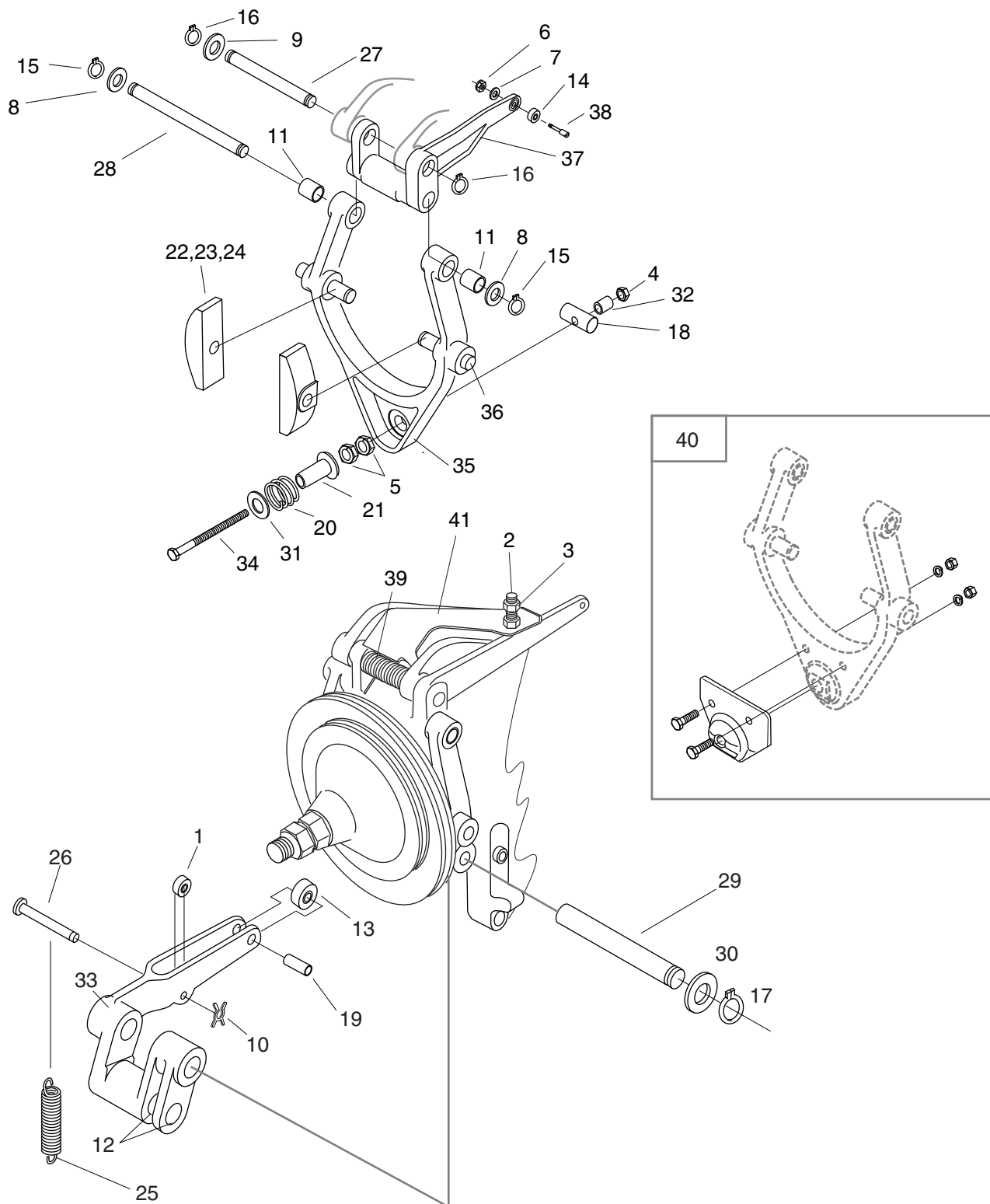
Call 631-582-5450 in NY or Fax 631-582-5875. Outside the NY area, 1-800-366-4JCP.



GEAR BOX ASSEMBLY

ITEM	PART NUMBER	DESCRIPTION	ITEM	PART NUMBER	DESCRIPTION
1	10-376010-000	SPRING ROLLER	22	12-100146-000	CLUTCH SHOE
2	11-010139-001	MACHINE SCREW	23	12-100146-003	CLUTCH SHOE .030 OVERSIZED
3	11-125007-000	HEX NUT	24	12-100146-006	CLUTCH SHOE .060 OVERSIZED
4	11-125101-000	HEX NUT	25	12-100158-000	TENSION SPRING
5	11-125201-000	HEX JAM NUT	26	12-100166-022	PIN
6	11-170004-000	LOCKNUT	27	12-100168-002	PIN
7	11-190004-000	PLAIN WASHER	28	12-100168-003	PIN
8	11-190016-000	PLAIN WASHER	29	12-100168-004	PIN
9	11-190018-000	PLAIN WASHER	30	12-100170-002	WASHER
10	11-230000-001	X-WASHER	31	12-100170-012	WASHER
11	11-420008-000	BEARING, BRONZE	32	12-100185-014	SPACER
12	11-420019-000	BEARING, BRONZE	33	12-100250-000	CAM LEVER ASSY
13	11-435001-000	BEARING	34	12-100257-000	HEX HEAD BOLT
14	11-435501-000	BEARING	35	12-100370-000	YOKE & BEARING ASSY
15	11-530015-000	RETAINING RING	36	12-100447-000	GROOVED PIN
16	11-530017-000	RETAINING RING	37	12-100486-000	CLUTCH LEVER ASSY
17	11-530021-000	RETAINING RING	38	12-100487-000	PIN
18	12-100053-000	PIN	39	12-102178-000	SPRING
19	12-100074-000	BEARING SHAFT	40	12-860672-000	YOKE REPAIR KIT
20	12-100091-000	SPRING	41	12-862138-000	CLUTCH LEVER SUPP. KIT
21	12-100092-000	SPRING GUIDE			

GEAR BOX ASSEMBLY



GEAR BOX ASSEMBLY

GEAR BOX ASSEMBLY

6

GEAR BOX ASSEMBLY

ITEM	PART NUMBER	DESCRIPTION	ITEM	PART NUMBER	DESCRIPTION
1	11-005263-000	SOC HD CAP SCREW	20	12-100185-002	SPACER
2	11-007090-000	SOC FLHD SCREW	21	12-100185-003	SPACER
3	11-125115-000	HEX NUT	22	12-100381-002	SHIM .005 (PRIOR TO S/N 21,882)
4	11-131516-000	FLANGED NUT	23	12-100381-003	SHIM .010 (AFTER S/N 21,883)
5	11-160005-001	BEARING LOCKNUT	24	12-100391-000	GASKET
6	11-170104-000	FLEX LOCKNUT	25	12-100477-000	BEARING RETAINER
7	11-231005-001	LOCKWASHER	26*	12-860171-000	WORM SHAFT
8	11-301001-001	RIVET (PRIOR TO S/N 7,598)	27	12-860613-000	CLUTCH DRIVE DISC
9	11-301002-001	RIVET (AFTER S/N 7,599)	28	12-860626-000	CLUTCH DRIVE DISC
10	11-301003-001	RIVET	29	12-860630-000J	JCP ONE PIECE CLUTCH PULLEY
11	11-350456-000	DRIVE PIN (NOT SHOWN)	30	12-860716-000	CLUTCH BEARING ASSY
12	11-432002-000	BEARING	31	12-860717-000J	JCP CLUTCH PULLEY & BRG ASSY
13	11-450100-000	ROLLER BEARING	32	12-862864-003	FACING & RIVET KIT (AFTER S/N 24,001)
14	11-450200-000	INNER RING FOR BRG	33	12-862864-004	FACING & RIVET KIT (PRIOR TO S/N 7,598)
15	11-625000-000	SEAL	34	12-862864-005	FACING & RIVET KIT (AFTER S/N 7,599)
16	11-625501-000	O-RING	35	12-8629A	STEEL HOUSING
17	12-100058-000	SPRING DISK	36	12-8629B	BRONZE BUSHING
18	12-100066-000	SPACER	37	12-8629C	BALL BEARING
19	12-100090-000	COMP. SPRING	38	12-8629D	RETAINING RING

*NOTE: For easy replacement order p/n 12-860172-000 worm shaft assy., also included with it is p/n 12-860603-000 oil seal kit.

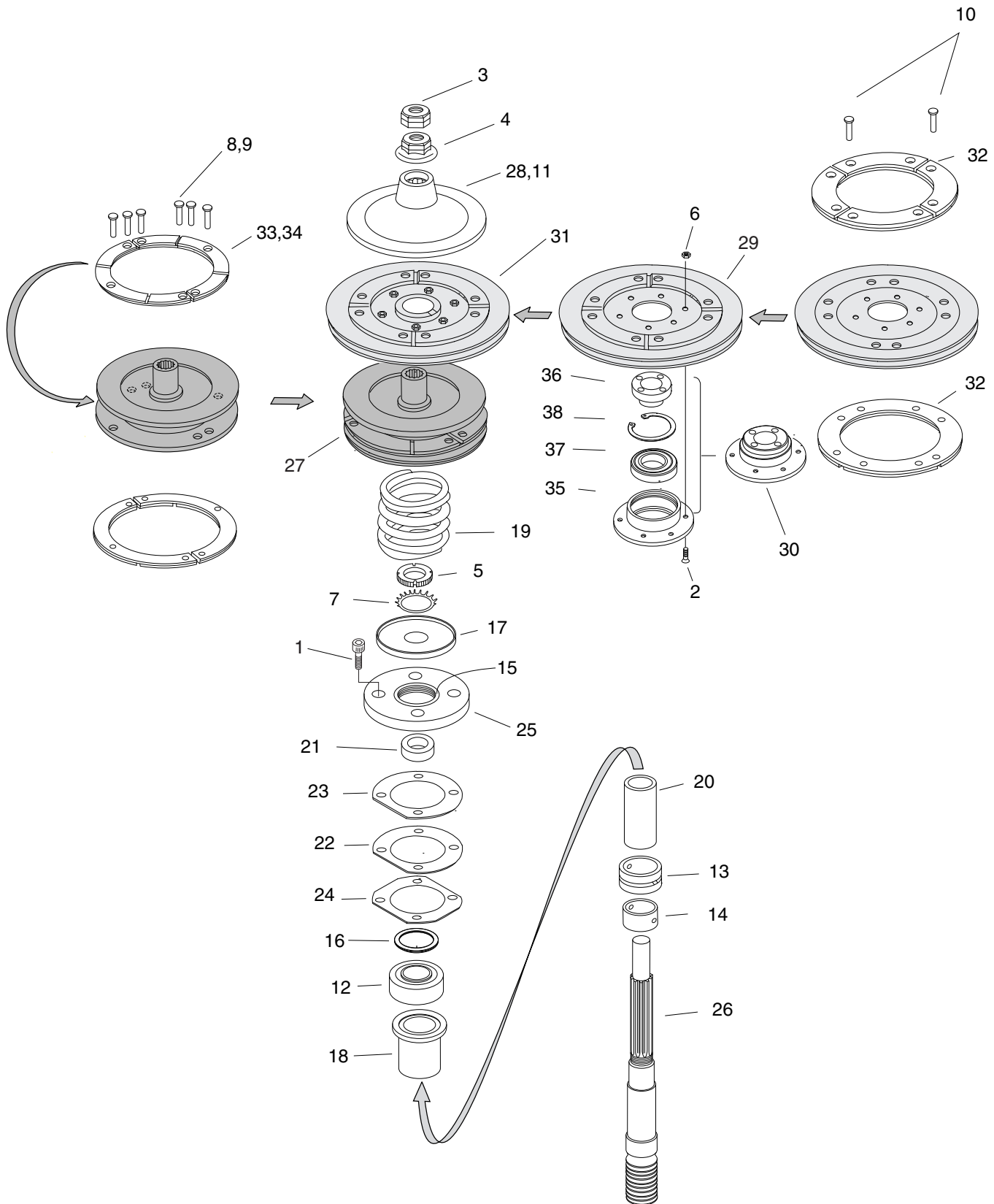
KIT AVAILABLE:

12-862861-000 GEARBOX INPUT REBUILDING KIT



Call 631-582-5450 in NY or Fax 631-582-5875. Outside the NY area, 1-800-366-4JCP.

GEAR BOX ASSEMBLY



GEAR BOX ASSEMBLY



GEAR BOX ASSEMBLY

ITEM	PART NUMBER	DESCRIPTION	ITEM	PART NUMBER	DESCRIPTION
1	11-001262-000	HEX HD SCREW	29	12-100151-000	SPUR GEAR
2	11-001264-000	HEX HD SCREW	30	12-100164-000	FLAT KEY
3	11-001344-000	HEX HD SCREW	31	12-100170-015	WASHER
4	11-001517-000	HEX HD SCREW	32	12-100174-002	WORM WHEEL
5	11-001664-000	HEX HD SCREW	33	12-100185-007	SPACER
6	11-005263-000	SOC HD CAP SCREW	34	12-100187-002	SQUARE KEY
7	11-007346-000	SOFL HD SCREW	35	12-100187-007	SQUARE KEY
8	11-008088-000	CAP SCREW	36	12-100187-008	SQUARE KEY
9	11-015287-000	SEMS SCREW	37	12-100207-000	MOUNTING PLATE
10	11-030004-000	PIPE PLUG	38	12-100223-000	WASHER
11	11-125102-000	HEX NUT	39	12-100280-000	MOVING DECK CABLE ASSY
12	11-125108-000	HEX NUT	40	12-100281-000	CABLE TUBE ASSY
13	11-195015-000	LOCKWASHER	41	12-100317-000	O-RING
14	11-195016-000	LOCKWASHER	42	12-100339-000	GASKET (AFTER S/N 744)
15	11-195018-000	LOCKWASHER	43	12-100344-002	GASKET
16	11-195020-000	LOCKWASHER	44	12-100433-000	BEARING RETAINER
17	11-430002-000	BEARING	45***	12-100828-002	SCISSOR & MOVING DECK CAM
18	11-430011-000	BEARING	46	12-102123-000	CAM SPACER (AFTER S/N 90,000)
19	11-430045-000	BEARING	47*	12-102161-000	RAKE CRANK HOUSING
20	11-625530-000	O-RING	48	12-102162-000	CRANK SHAFT
21	12-100044-000	CLAMP RING	49	12-102163-000	SUPPORT PLATE
22	12-100045-000	RAKE CAM HUB	50	12-102165-000	BEARING RETAINER
23	12-100068-000	DRIVE GEAR	51	12-102373-000	BUMPER BUTTON
24	12-100088-000	OIL SEAL	52	12-102373-J	JAPANESE STYLE BUMPER BUTTON
25	12-100122-000	EXTENDED CYCLE CAM	53	12-102383-000	RAKE CAM
26	12-100123-000	EXTENDED CYCLE CAM (PRIOR TO S/N 89,999)	54**	12-102794-000	SCISSOR & MOVING DECK CAM
27	12-100130-000	SHAFT	55	12-860628-000	1 TO 1 COVER
28	12-100140-000	SPUR GEAR	56	12-860628-002	1 TO 1 COVER ASSY
			57	12-860635-000	HOUSING, GASKET SHIM KIT

* NOTE: If replacing old style housing order p/n 12-862863-003

*** SPLIT CAM STYLE

** NOTE: For scotch yoke.

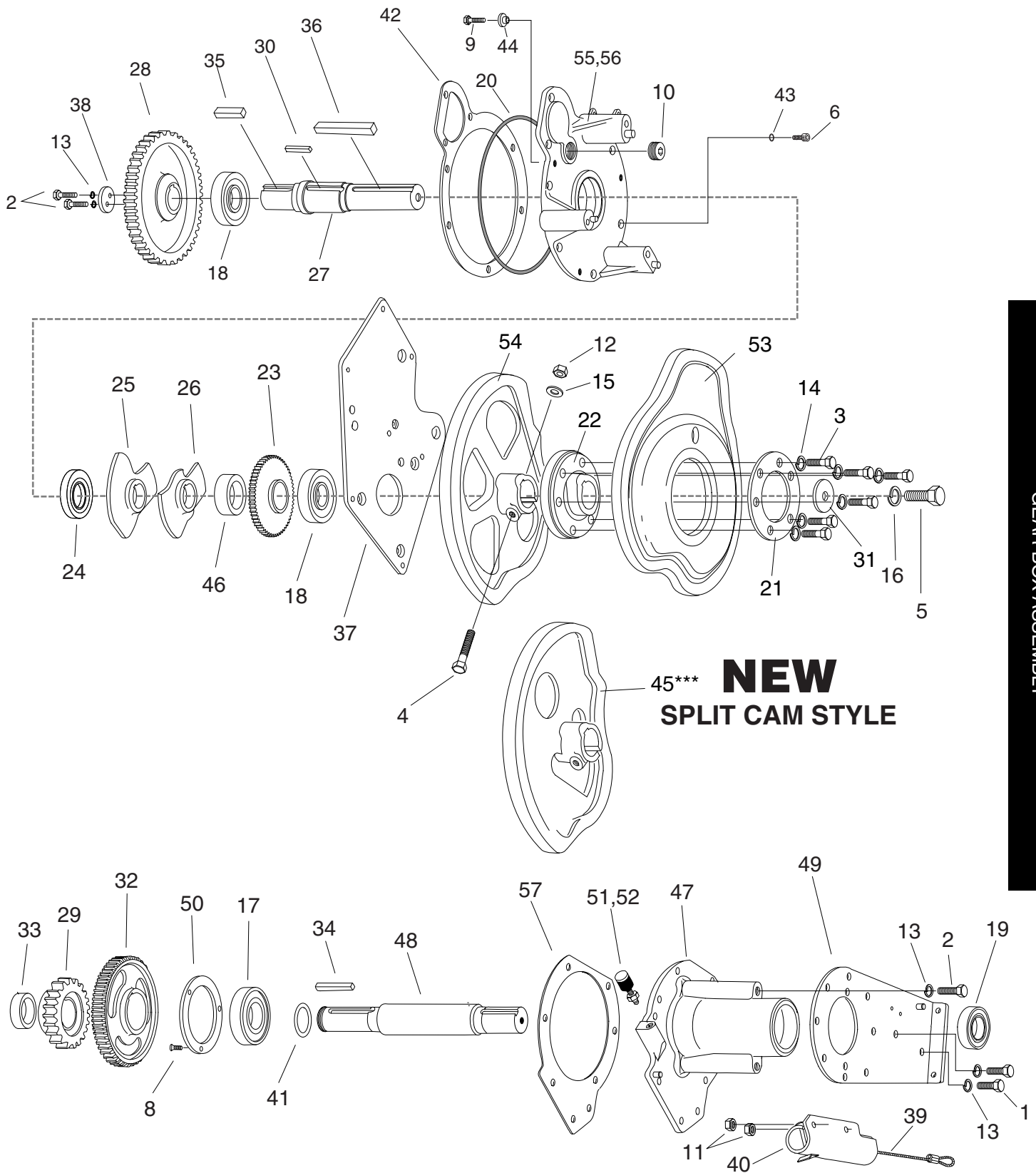
KIT AVAILABLE:

12-862859-000 1 TO 1 REBUILDING KIT



Call 631-582-5450 in NY or Fax 631-582-5875. Outside the NY area, 1-800-366-4JCP.

GEAR BOX ASSEMBLY



GEAR BOX ASSEMBLY

Call 631-582-5450 in NY or Fax 631-582-5875. Outside the NY area, 1-800-366-4JCP.



GEAR BOX ASSEMBLY

10

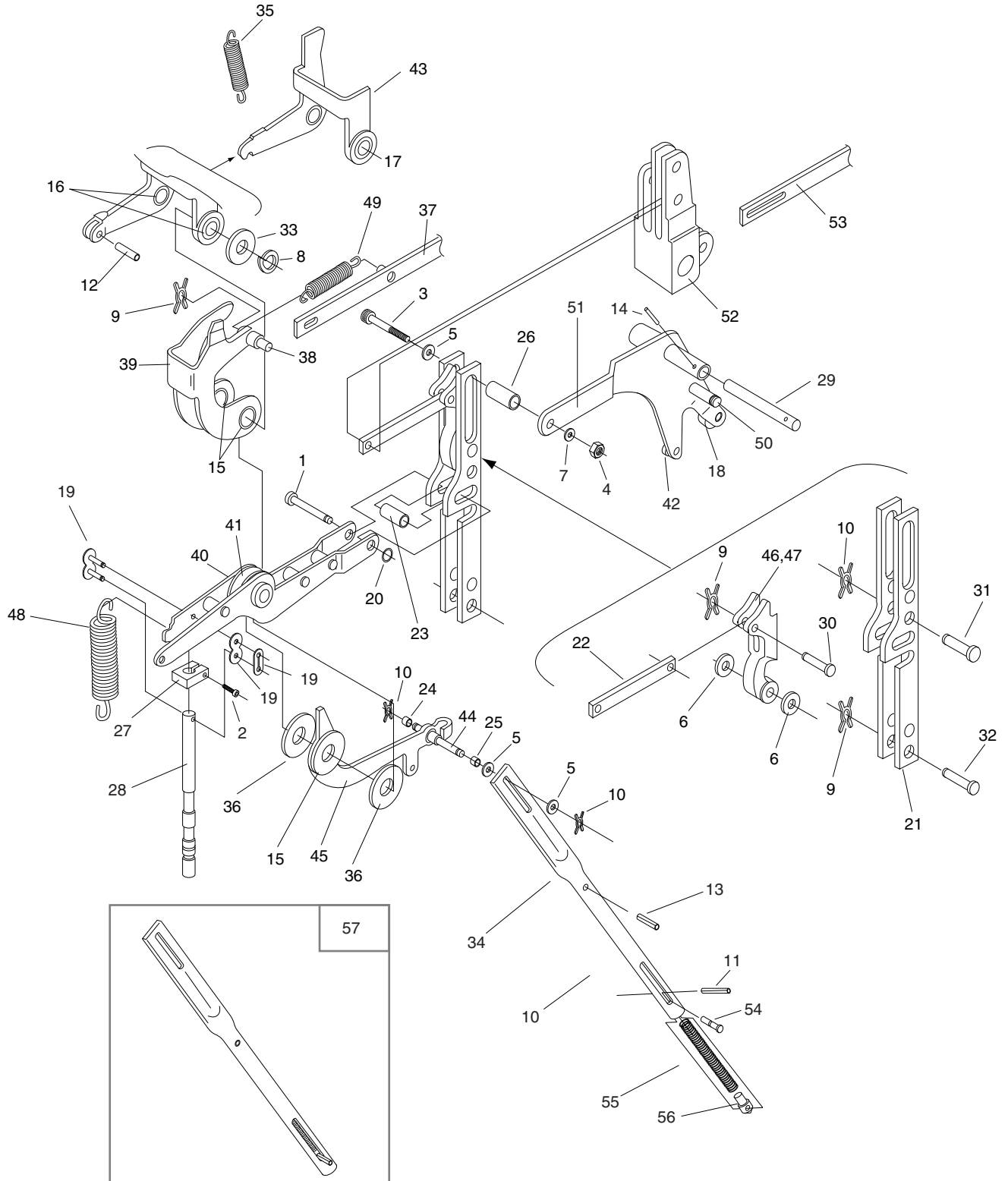
GEAR BOX ASSEMBLY

ITEM	PART NUMBER	DESCRIPTION	ITEM	PART NUMBER	DESCRIPTION
1	10-229453-000	PIN	30	12-100166-005	PIN
2	11-005120-000	SOC HD CAP SCREW	31	12-100166-013	PIN
3	11-106504-000	STRIPPER BOLT	32	12-100166-025	PIN
4	11-125004-000	HEX NUT	33	12-100170-012	WASHER
5	11-190010-000	PLAIN WASHER	34	12-100229-000	TUBE ASSY.
6	11-190509-000	PLAIN WASHER	35	12-100296-000	SPRING
7	11-195010-000	LOCKWASHER	36	12-100298-000	SPACER
8	11-195014-000	LOCKWASHER	37	12-100337-000	OUT OF RANGE LINK ASSY
9	11-230000-001	X-WASHER	38	12-100430-000	PIN
10	11-230001-001	X-WASHER	39	12-100437-000	OUT OF RANGE LEVER ASSY
11	11-345154-000	ROLL PIN	40	12-100465-000	LEVER ASSY
12	11-345302-000	ROLL PIN	41	12-100469-000	FLANGED BEARING
13	11-345304-000	ROLL PIN	42	12-100493-002	RIVET PIN
14	11-360460-000	SPIROL PIN	43	12-100495-000	LEVER ASSY
15	11-420059-000	OILITE BEARING	44	12-100703-000	PIN
16	11-421011-000	OILITE BEARING, FLANGED	45	12-100708-000	CLUTCH RELEASE LEVER ASSY
17	11-421092-000	OILITE BEARING, FLANGED	46	12-100746-000	CLUTCH LATCH (W/O DASHPOT)
18	11-436001-000	STUD BEARING	47	12-100747-000	CLUTCH LATCH (W/DASHPOT)
19	11-600001-000	CONNECTING LINK	48	12-102043-000	TENSION SPRING
20	11-625538-000	O-RING	49	12-102105-000	SPRING
21	12-100025-000	CLUTCH ACTIVATING LINK ASSY	50	12-102115-000	SPRING POST
22	12-100026-000	LINK	51	12-102176-000	CLUTCH RESET LEVER
23	12-100030-002	ROLLER	52	12-102236-J	"JCP" URETHANE BELLCRANK
24	12-100030-003	ROLLER	53	12-102363-000	SOLENOID LINK
25	12-100030-004	ROLLER	54	12-150071-000	PIN
26	12-100030-005	ROLLER (AFTER S/N 27,000)	55	12-150127-000	SPRING
27	12-100050-000	STOP COLLAR	56	12-150149-000	SPRING PLUNGER
28	12-100093-000	PLUNGER ASSY	57	12-862867-000	CLUTCH RELEASE LINK
29	12-100106-000	LEVER SHAFT			



Call 631-582-5450 in NY or Fax 631-582-5875. Outside the NY area, 1-800-366-4JCP.

GEAR BOX ASSEMBLY



GEAR BOX ASSEMBLY

GEAR BOX ASSEMBLY

12

GEAR BOX ASSEMBLY

ITEM	PART NUMBER	DESCRIPTION	ITEM	PART NUMBER	DESCRIPTION
1	10-193013-000	COUNTERSUNK WASHER	39	12-100065-002	WASHER
2	10-376010-000	SPRING ROLLER	40	12-100107-000	TENSION SPRING
3	10-385529-000	SPACER	41	12-100150-000	SPUR GEAR
4	10-386088-000	SPACER	42	12-100166-022	PIN
5	11-001384-000	HEX HD SCREW	43	12-100166-027	PIN
6	11-005263-000	SOC HD CAP SCREW	44*	12-100177-000	GEAR BOX COVER
7	11-005474-000	SOC HD CAP SCREW	45	12-100185-005	SPACER
8	11-007182-001	SOFL HD SCREW	46	12-100185-006	SPACER
9	11-007264-000	SOFL HD SCREW	47	12-100282-000	DECK HOOK "U" BOLT
10	11-007344-000	SOFL HD SCREW	48	12-100283-000	ECCENTRIC
11	11-007346-000	SOFL HD SCREW	49	12-100290-000	O-RING
12	11-007384-000	SOFL HD SCREW	50**	12-100340-000	GEAR BOX CVR GASKET RH
13	11-030004-000	PIPE PLUG	51	12-100344-002	GASKET
14	11-125103-000	HEX NUT	52	12-100357-000	CONNECTING LINK
15	11-125104-000	HEX NUT	53	12-100387-000	DECK LIFT HOOK CAM (PRIOR TO S/N 89,999)
16	11-125107-001	HEX NUT			
17	11-125203-000	HEX JAM NUT RH	54	12-100431-000	BEARING RETAINER
18	11-125208-000	HEX JAM NUT-RH	55	12-100457-000	FELT WICK
19	11-170011-000	LOCKNUT	56	12-100458-000	FELT PAD
20	11-190012-000	WASHER	57	12-100480-000	KEY
21	11-195016-000	LOCKWASHER	58	12-100503-000	DECK LOWERING LINK ASSY
22	11-195017-000	LOCKWASHER	59	12-100504-000	INNER RING
23	11-230000-001	X-WASHER	60	12-100506-000	U-BOLT
24	11-230001-001	X-WASHER	61	12-100507-000	BEARING BLOCK
25	11-280002-000	GREASE FITTING	62	12-100830-000	CLAMP RING
26	11-360619-000	SPIROL PIN	63	12-100831-000	DECK LIFT HOOK CAM (AFTER S/N 90,000)
27	11-430003-000	BEARING			
28	11-430017-000	BEARING	64	12-100832-000	DECK LIFT HOOK
29	11-450101-000	ROLLER BEARING	65	12-100896-000	SPACER
30	11-450304-000	ROLLER BEARING	66	12-102753-000	SPACER
31	11-481030-000	BEARING	67	12-102754-000	BEARING STUD
32	11-532003-000	RETAINING RING	68	12-102789-000	SPACER
33	11-533028-000	RETAINING RING	69	12-102791-000	BLOCK
34	11-625001-000	SEAL (PRIOR TO S/N 7,179)	70	12-102792-000	ADJUSTING STUD
35	11-625003-000	SEAL	71	12-102815-000	T-TRACK
36	11-625005-000	SEAL	72	12-102816-000	PLATE ASSY
37	11-625529-000	O-RING	73	12-862185-000	DECK LIFT CRANK
38	11-625530-000	O-RING	74	12-100187-005	KEY

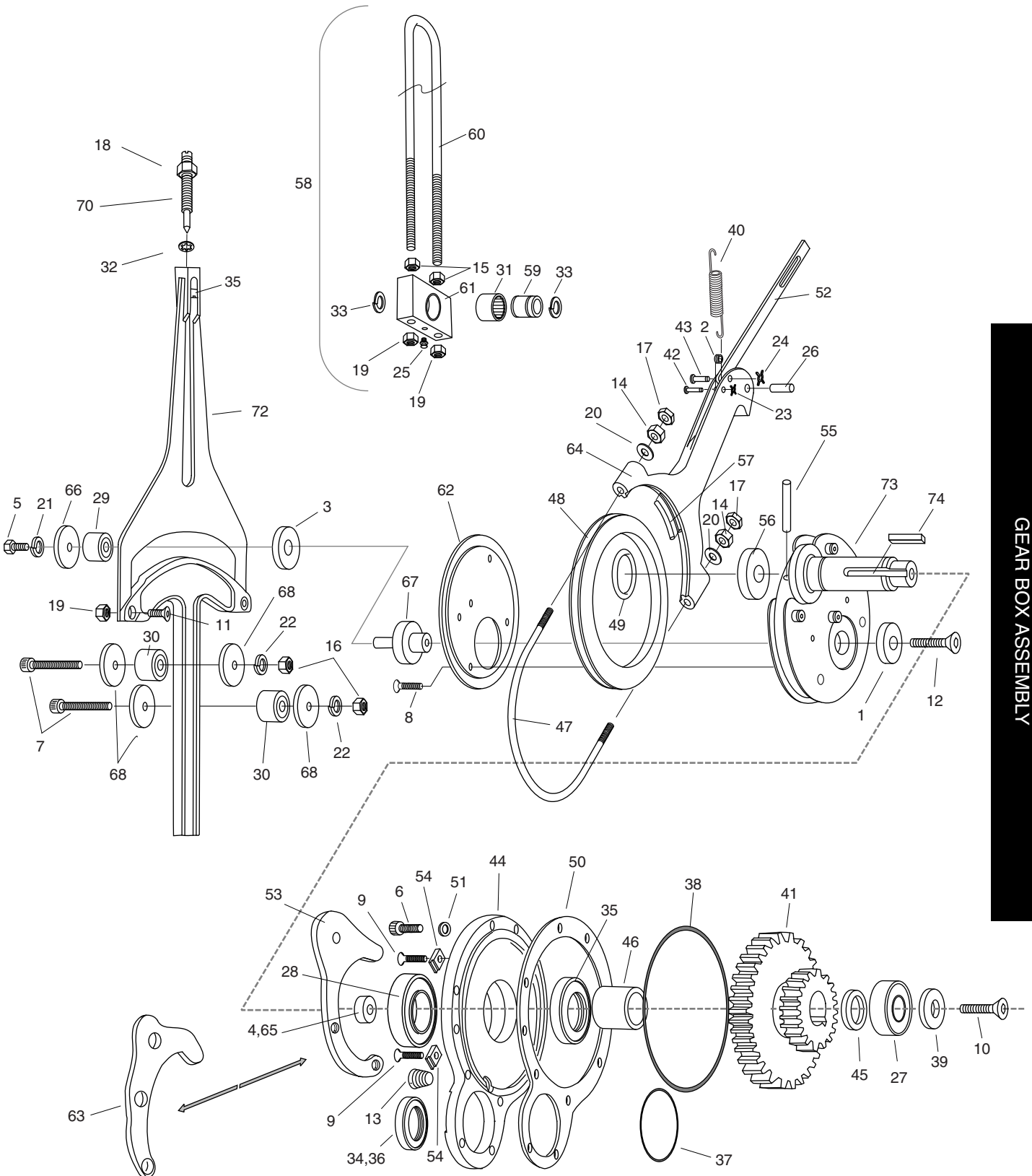
* NOTE: Also order 11-625003-000

** NOTE: If scotch yoke use o-rings item # 37 & 38.



Call 631-582-5450 in NY or Fax 631-582-5875. Outside the NY area, 1-800-366-4JCP.

GEAR BOX ASSEMBLY



GEAR BOX ASSEMBLY