

POWER LIFT ASSEMBLY QUICK REFERENCE



250-001-051 (124-2036)
RUBBER V-WHEEL W/METAL HUB
90-520060-000
URETHANE V-TIRE



53-520060-000
TIRE



90-520171-000
URETHANE TRACK



53-520066-000
SHAFT

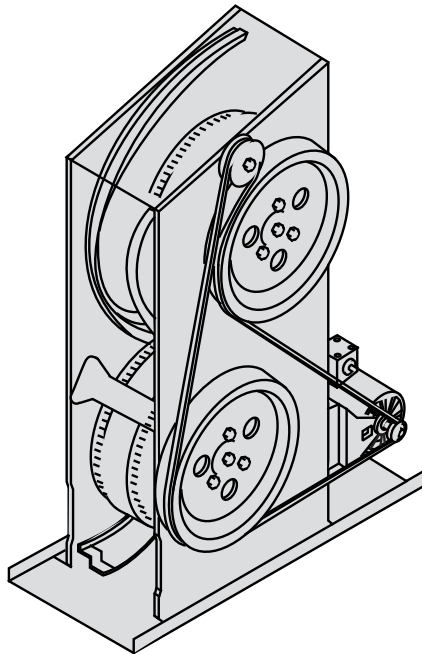


53-860555-000
BALL LIFT CLUTCH ASSY



53-860322-010
POWER LIFT MOTOR 1140RPM

Section 11 Power Lift Assembly



POWER LIFT ASSEMBLY

POWER LIFT ASSEMBLY

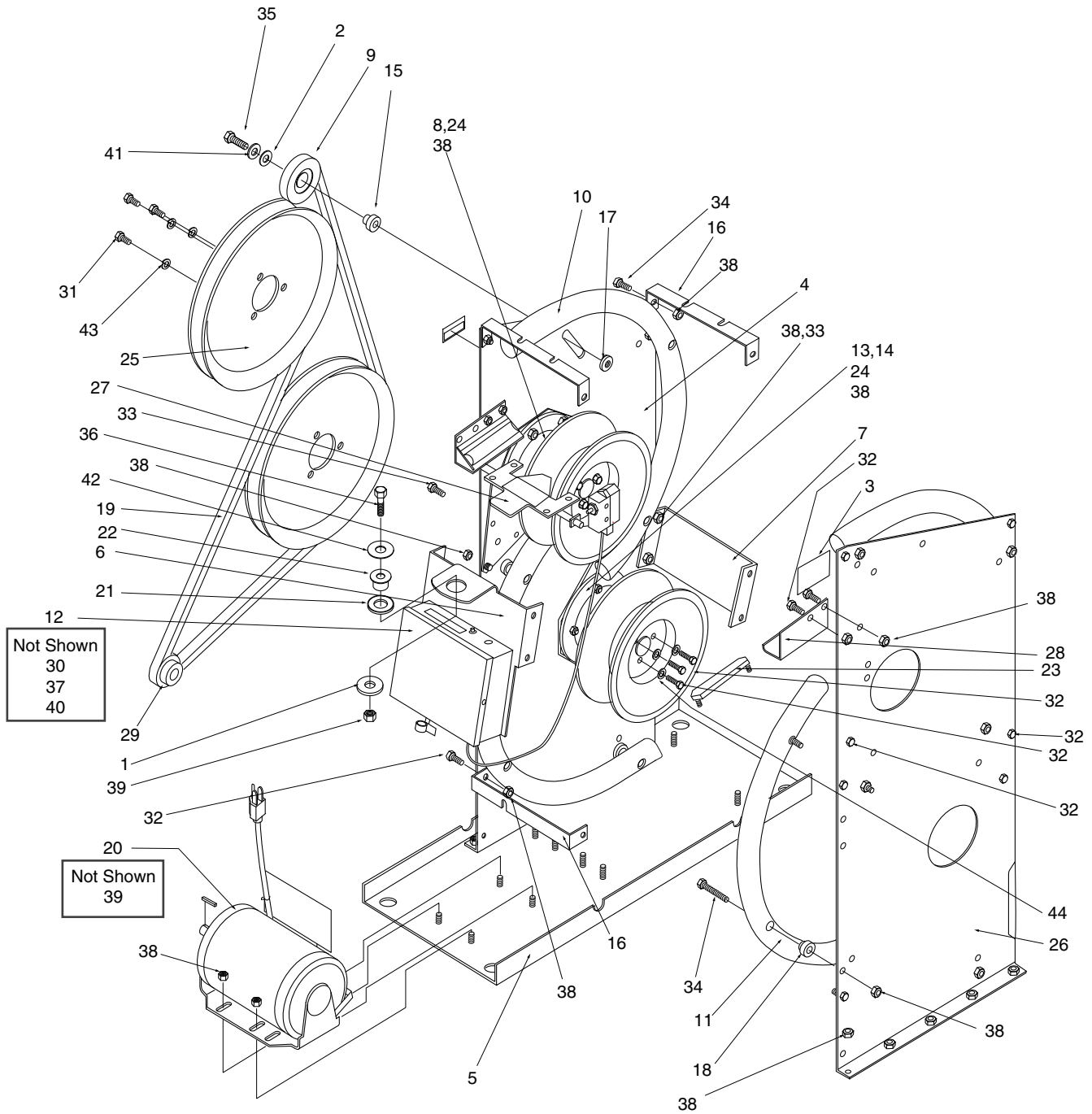
ITEM	PART NUMBER	DESCRIPTION	ITEM	PART NUMBER	DESCRIPTION
1	000-021-787	WASHER, THICK	23	250-001-051	RUBBER V-WHEEL
2	070-006-296	WASHER	24	250-001-054	STIFFENER BRACKET
3	234-001-246	WARNING LABEL	25	250-001-057	PULLEY
4	250-001-002	LEFT SIDE PLATE	26	250-001-062	RIGHT SIDE PLATE
5	250-001-003	BASE PLATE ASSY	27	250-001-072	V-WHEEL GUARD ASSY
6	250-001-004	SUPPORT BRACE	28	250-001-119	TRANSITION BRKT ASSY
7	250-001-005	BRACE	29	250-001-537	SHEAVE
8	250-001-009	UPPER SHAFT ASSY	30	809-849-100	HEX HD SCREW
9	250-001-011	IDLER ASSY	31	809-857-100	HEX HD SCREW
10	250-001-012	UPPER TRACK	32	809-857-125	HEX HD SCREW
11	250-001-013	LOWER TRACK	33	809-857-165	HEX HD SCREW
12	250-001-014	CONTROL BOX ASSY	34	809-857-325	HEX HD SCREW
13	250-001-015	LOWER SHAFT ASSY	35	809-865-205	HEX HD SCREW
14*	250-001-015J	"JCP" LOWER SHAFT KIT	36	809-873-280	HEX HD SCREW
15	250-001-021	IDLER SPACER	37	834-549-002	HEX NUT
16	250-001-023	SPACER BRACKET	38	839-057-002	NYLOCK NUT
17	250-001-027	IDLER NUT	39	844-073-002	STOVER LOCKNUT
18	250-001-034	RAIL SPACER	40	948-745-082	WASHER
19	250-001-037	BELT-DOUBLE-V	41	948-964-142	WASHER
20	250-001-116	MOTOR 50/60HZ	42	948-975-172	WASHER
21	250-001-046	RUBBER GROMMET	43	951-156-002	LOCKWASHER
22	250-001-047	BUSHING			

* NOTE: Unlike the original part the "JCP" kit has replaceable parts.



Call 631-582-5450 in NY or Fax 631-582-5875. Outside the NY area, 1-800-366-4JCP.

POWER LIFT ASSEMBLY



POWER LIFT ASSEMBLY

POWER LIFT ASSEMBLY

ITEM	PART NUMBER	DESCRIPTION	ITEM	PART NUMBER	DESCRIPTION
1	11-001263-000	HEX HD SCREW	19	11-530531-000	RETAINING RING
2	11-001264-000	HEX HD SCREW	20	53-520025-000	IDLER
3	11-001270-000	HEX HD SCREW	21	53-520026-000	IDLER ASSY
4	11-001342-000	HEX HD SCREW	22	53-520063-000	PULLEY
5	11-001909-000	HEX HD SCREW	23	53-520071-000	BEARING STUD
6	11-002005-000	HEX HD SCREW	24	53-520072-000	SPACER
7	11-005184-000	SOC HD CAP SCREW	25	53-520146-002	RH TRACK ASSY
8	11-019654-001	SEMS MACH SCREW	26	53-520146-003	LH TRACK ASSY
9	11-155101-000	SPLINE NUT	27	53-520244-000	POLY-V IDLER ASSY
10	11-170009-000	LOCKNUT	28	53-520300-000	IDLER ARM
11	11-190012-000	PLAIN WASHER	29	53-520301-000	TENSION SPRING
12	11-190514-001	PLAIN WASHER	30	53-520302-000	BEARING STUD
13	11-190529-000	PLAIN WASHER	31	53-520303-000	SPACER
14	11-190530-001	PLAIN WASHER	32	53-520304-000	SPRING POST
15	11-195014-000	LOCKWASHER	33	53-520306-000	SPACER
16	11-195015-000	LOCKWASHER	34	53-860555-000	BALL LIFT CLUTCH ASSY
17	11-195016-000	LOCKWASHER	35	90-520171-000	URETHANE TRACK
18	11-430028-000	BEARING			

KITS AVAILABLE

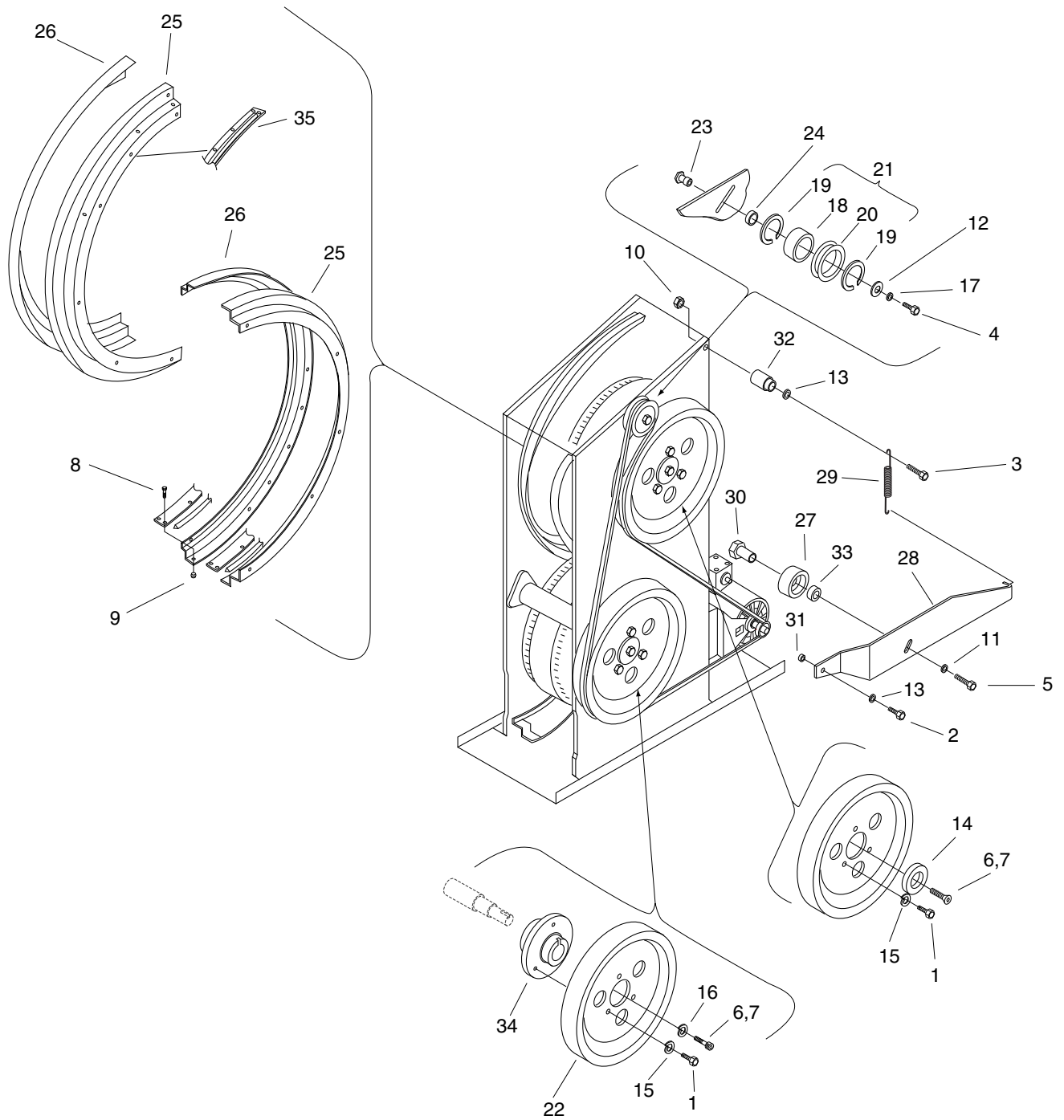
P/N 124-2000 V-BELT CONVERSION KIT. CONVERTS OLDER STYLE LIFTS WITH FLAT BELT TO V-BELT.

P/N 53-860431-000 POLY-V CONVERSION KIT. CONVERTS LIFTS WITH FLAT OR V-BELTS TO POLY-V-BELT.



Call 631-582-5450 in NY or Fax 631-582-5875. Outside the NY area, 1-800-366-4JCP.

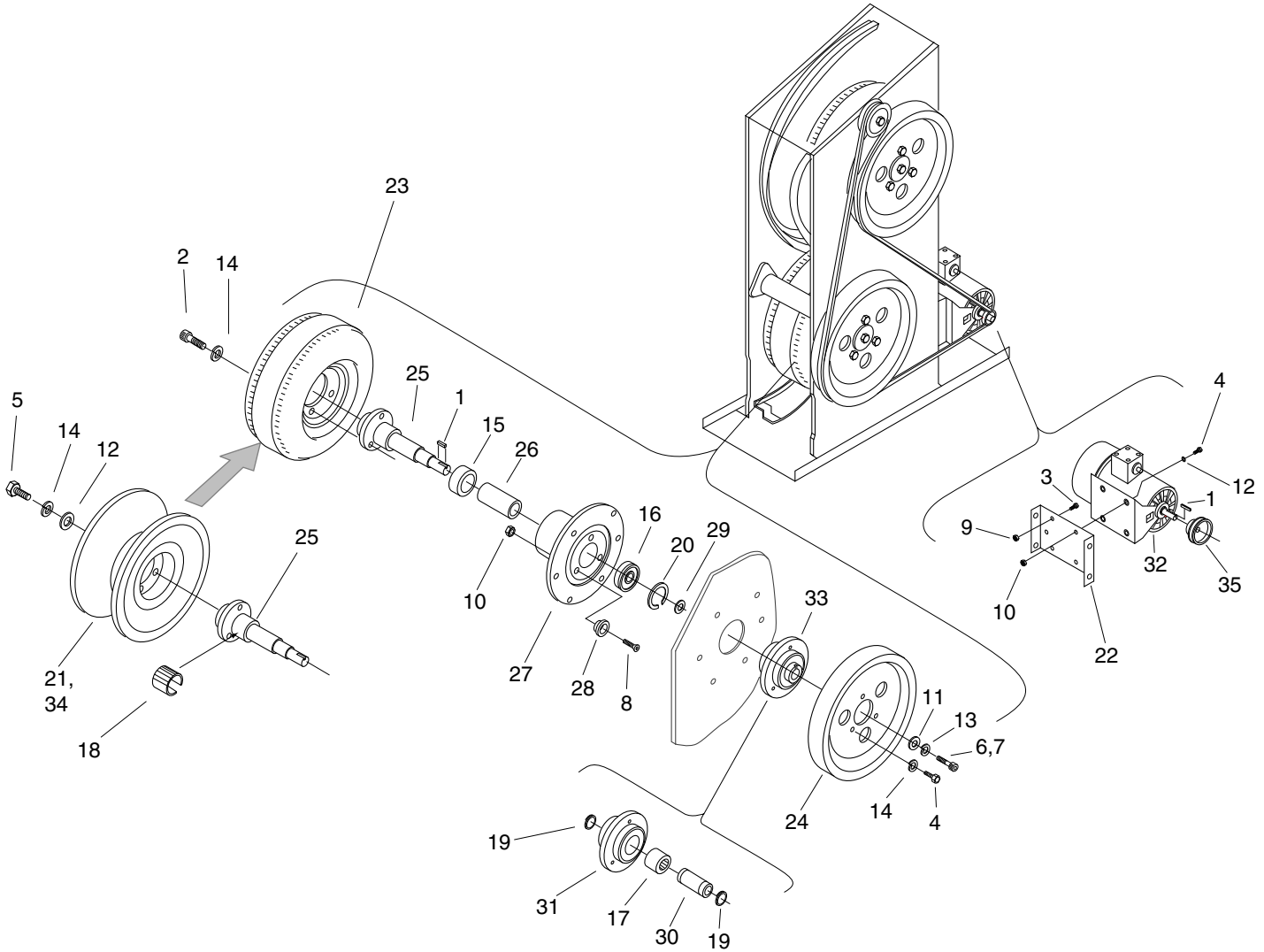
POWER LIFT ASSEMBLY



POWER LIFT ASSEMBLY

POWER LIFT ASSEMBLY

ITEM	PART NUMBER	DESCRIPTION	ITEM	PART NUMBER	DESCRIPTION
1	10-620057-000	SQUARE KEY	19	11-533019-000	RETAINING RING
2	11-001258-001	HEX HD SCREW	20	15-651243-000	RETAINING RING
3	11-001262-000	HEX HD SCREW	21*	250-001-051	RUBBER V-WHEEL * Note: (Same as 124-2036)
4	11-001263-000	HEX HD SCREW	22	53-520049-000	MOTOR SUPPORT
5	11-001268-000	HEX HD SCREW	23	53-520060-000	TIRE & RIM ASSY
6	11-002005-000	HEX HD SCREW	24	53-520063-000	PULLEY
7	11-005184-000	SOC HD CAP SCREW	25	53-520066-000	SHAFT
8	11-008148-001	SOFL HD SCREW	26	53-520067-000	SPACER
9	11-125202-000	HEX JAM NUT	27	53-520068-000	HOUSING
10	11-170009-000	LOCKNUT	28	53-520069-000	WASHER
11	11-190530-001	PLAIN WASHER	29	53-520088-000	SPACER
12	11-191012-000	FLAT WASHER	30	53-520421-000	INNER RING
13	11-195014-000	LOCKWASHER	31	53-520422-000	OUTER HUB
14	11-195015-000	LOCKWASHER	32	53-860322-010	POWER LIFT MOTOR
15	11-430013-000	BEARING	33	53-860555-000	BALL LIFT CLUTCH ASSY
16	11-430042-000	BEARING	34	90-520060-000	URETHANE V-TIRE
17	11-500552-000	CLUTCH BEARING	35	SEE CHART	MOTOR PULLEY
18	11-505104-000	TOLERANCE RING			



POWER LIFT ASSEMBLY

MOTOR PULLEY CHART

Belt Type	Belt Part No.	Pulley Diameter	Pulley Part No.
Poly V-Belt	53-520148-002*	1-5/8"	53-520159-000
Poly V-Belt	53-520230-002**	1-5/8"	53-520159-000
Poly V-Belt	53-520230-002**	1"	53-520582-000
Flat Belt	24-200947-000	1-17/64"	24-200773-000
Flat Belt	124-20-400	1-29/32"	24-204378-000
V-Belt	10-635317-000		53-520027-000

* used with fixed top idler pulley
 ** used with adjustable top idler pulley