

BALL RETURN ASSEMBLY QUICK REFERENCE



12-502139-000
TRACK BRACE L.H. 26



12-502140-000
TRACK BRACE R.H. 44-3/4



12-862830-000
RELAY



53-520060-000
TIRE



12-502154-J
Y-SWITCH BUMPER
(BOLT STYLE)



90-502153-000
Y-SWITCH

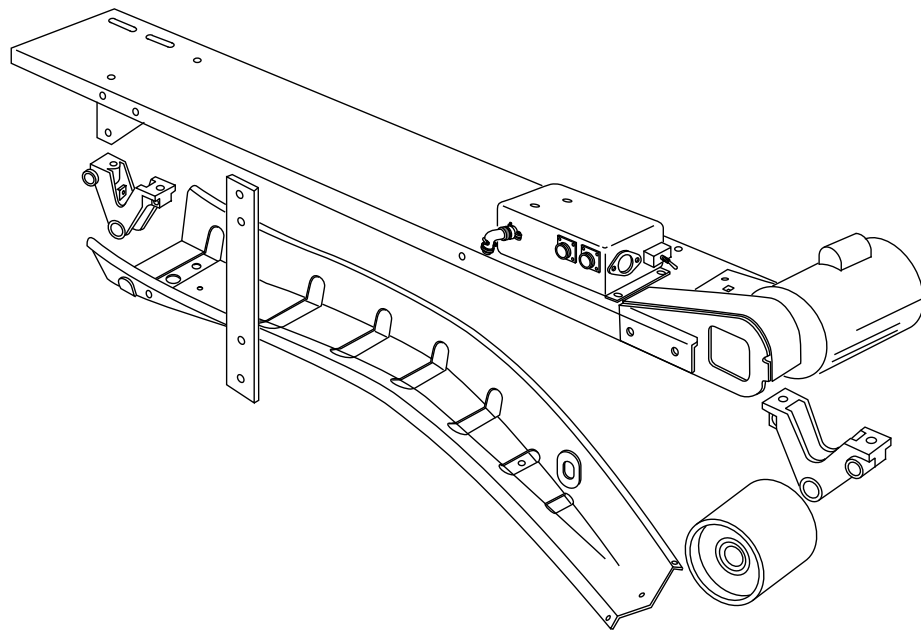


12-502100-000
Y-SWITCH TRACK ASSY



12-502155-000
SPACER URETHANE

Section 10 Ball Return Assembly



BALL RETURN ASSEMBLY

BALL RETURN ASSEMBLY

ITEM	PART NUMBER	DESCRIPTION	ITEM	PART NUMBER	DESCRIPTION
1	10-002101-000	HEX HD SCREW	35	11-530030-000	RETAINING RING
2	10-191554-000	WASHER	36	11-611011-000	STRAIN RELIEF BUSHING
3	10-191557-000	WASHER	37	11-615502-000	TOGGLE SWITCH
4	10-385515-000	SPACER	38	11-678601-000	RECEPTACLE
5	10-386071-000	SPACER	39	11-679201-000	PLUG
6	10-750619-000	3-COND. CORD	40	12-252377-000	BALL WIPE, COMPLETE
7	11-001263-000	HEX HD SCREW	41	12-252377-002	BALL WIPE, SLEEVE
8	11-001344-000	HEX HD SCREW	42	12-252377-003	BALL WIPE, PAD
9	11-001690-000	HEX HD SCREW	43	12-502301-000	ACCELERATOR FRAME
10	11-002092-000	HEX HD SCREW	44	12-502303-000	PULLEY SUPPORT BRKT.
11	11-002128-000	HEX HD SCREW	45	12-502308-000	MOTOR PLATE
12	11-002129-000	HEX HD SCREW	46	12-502318-000	BRUSH CLIP
13	11-002132-001	HEX HD SCREW	47	12-502319-000	BRUSH
14	11-017564-000	SEMS SCREW	48	12-502320-000	BALL TRACK
15	11-078034-001	BOLT R HD	49	12-502335-000	CONTROL BOX ASSY
16	11-081007-001	SELF TAP SCREW	50	12-502336-010	CONTROL BOX
17	11-102259-000	SET SCREW	51	12-502337-000	CABLE ASSY
18	11-107003-000	MACH SCREW	52	12-502338-000	BELT SHIELD
19	11-107024-000	MACH SCREW	53	12-502340-000	BRUSH CLIP SHAFT
20	11-125204-000	HEX JAM NUT-RH	54	12-502346-000	BUSHING
21	11-132005-001	HEX NUT	55	12-502349-000	ACCELERATOR PULLEY
22	11-170009-000	LOCKNUT	56	12-502349-600	HIGH CROWN PULLEY
23	11-170011-000	LOCKNUT	57	12-502353-000	SHAFT
24	11-170019-000	LOCKNUT	58	12-502356-000	AIR FILTER, GE MOTOR
25	11-190516-000	PLAIN WASHER	59	12-502357-000	AIR FILTER, WEST MOTOR
26	11-190522-000	PLAIN WASHER	60	12-502419-000	FRAME & PAD ASSY-LH
27	11-190523-000	PLAIN WASHER	61	12-502420-000	FRAME & PAD ASSY-RH (SHOWN)
28	11-191012-000	FLAT WASHER	62	12-502424-000	DUSTER PAD
29	11-191014-000	FLAT WASHER	63	12-502458-000	ADJUSTING BRACKET
30	11-191018-000	FLAT WASHER	64	12-750033-000	RECEPTACLE
31	11-194046-000	LOCKWASHER	65	12-802059-004	MOTOR ASSY 50/60HZ
32	11-195014-000	LOCKWASHER	66	12-862042-000	DUSTER CLOTH
33	11-196014-001	HI-COLLAR LOCKWASHER	67	12-862830-000	RELAY
34	11-230002-001	X-WASHER	68	SEE CHART	MOTOR PULLEY

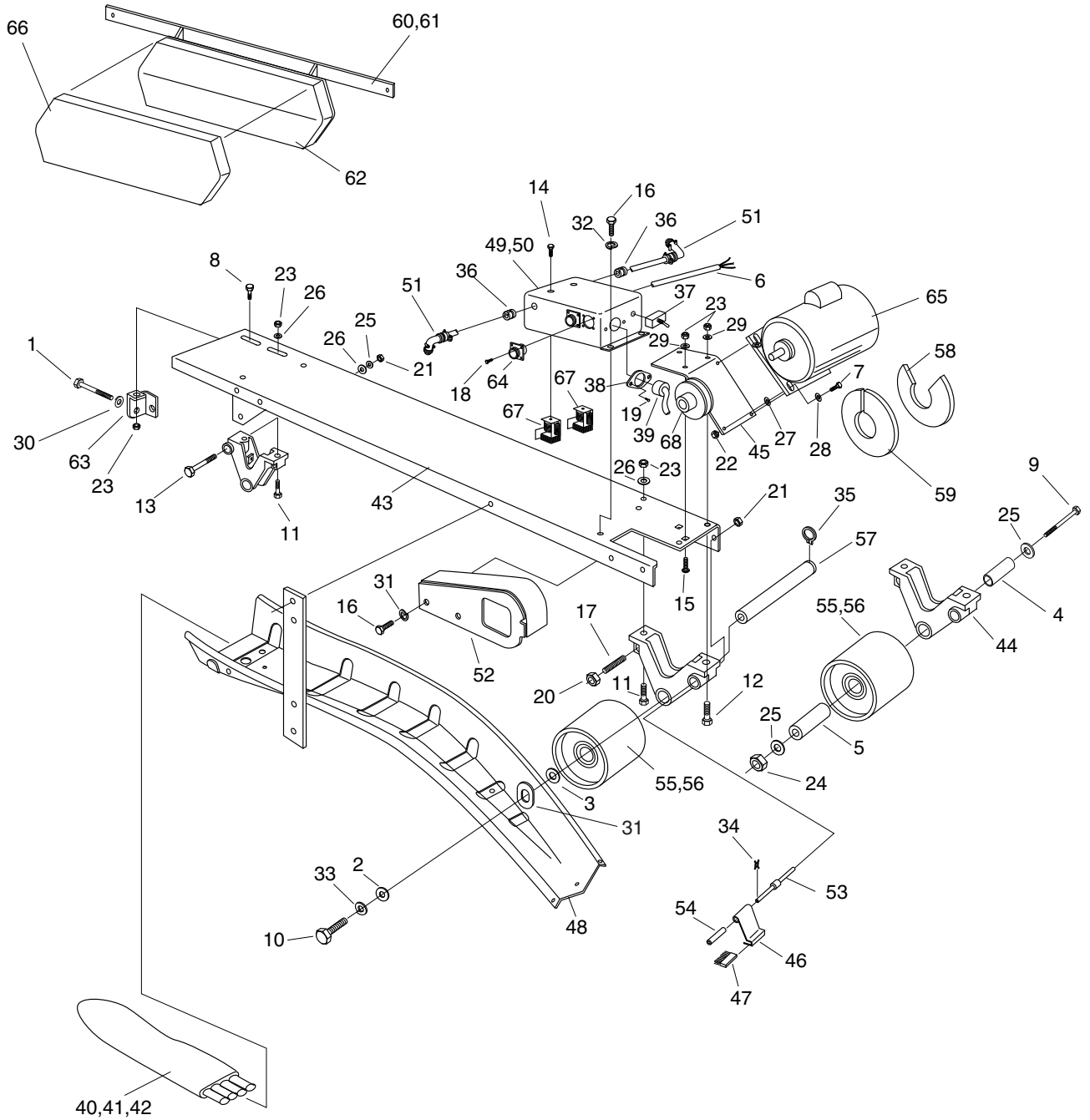
10-635126-000 LONG ACCELERATOR BELT 10-635126-600 SPECIAL

PULLEY DIAMETER	ACCELERATOR SPEED	PULLEY PART# 1/2 BORE	PULLEY PART# 5/8 BORE	BELT PART#
1-1/2"	SLOWEST	12-502474-000	12-502554-000	10-635124-000
1-11/16"	SLOW	12-502351-000	12-502553-000	10-635113-000
2-1/32"	MEDIUM	12-502355-000	12-502551-000	10-635118-000
2-23/32"	FAST	12-502332-000	12-502550-000	10-635112-000
3-17/64"	FASTEST	12-502352-000	12-502549-000	10-635114-000



Call 631-582-5450 in NY or Fax 631-582-5875. Outside the NY area, 1-800-366-4JCP.

BALL RETURN ASSEMBLY

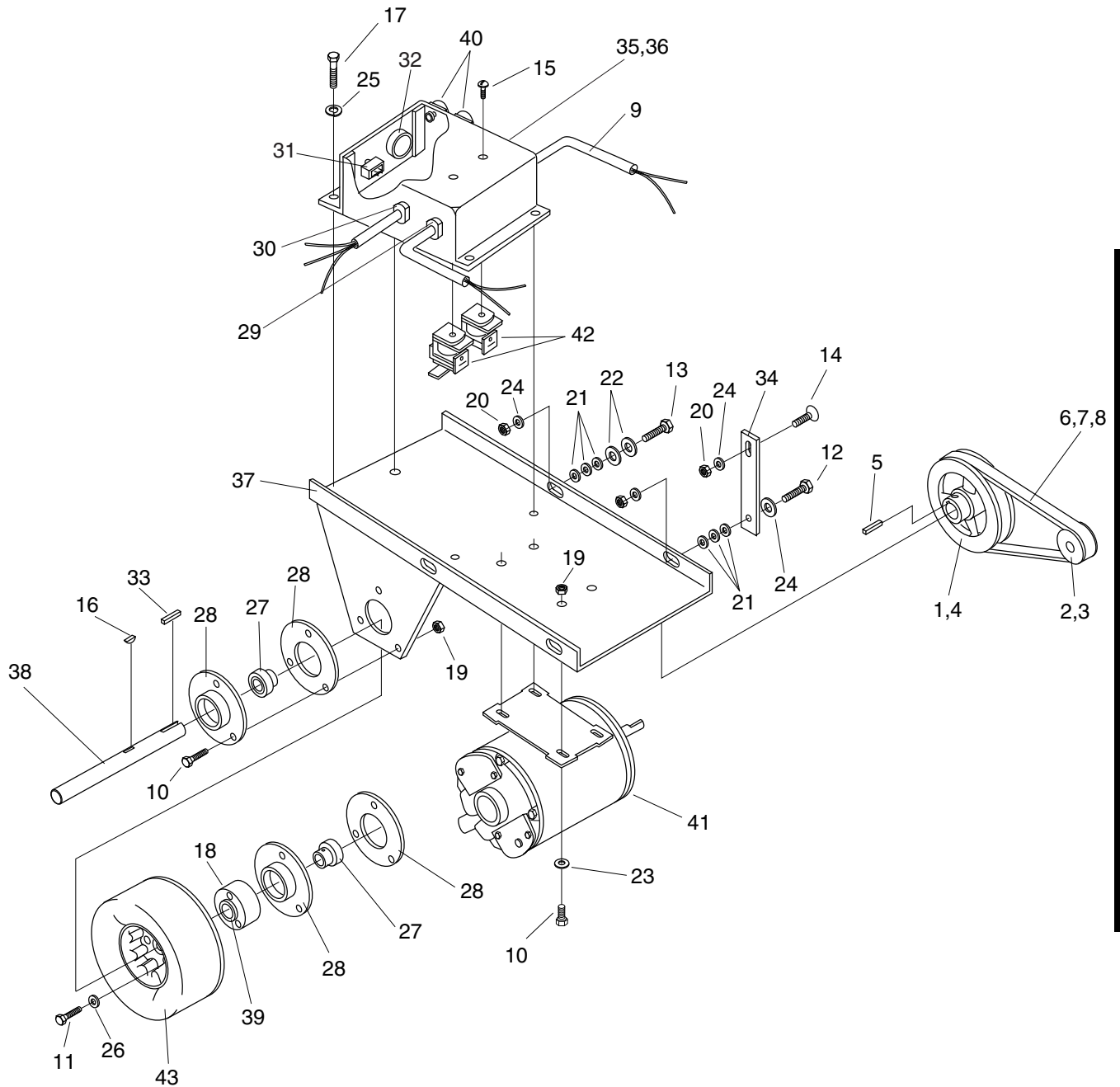


BALL RETURN ASSEMBLY

BALL RETURN ASSEMBLY

ITEM	PART NUMBER	DESCRIPTION	ITEM	PART NUMBER	DESCRIPTION
1	10-510701-000	SHEAVE (8" O.D.)	23	11-191012-000	FLAT WASHER
2	10-510702-000	SHEAVE (2.3" O.D.)	24	11-191014-000	FLAT WASHER
3	10-510703-000	SHEAVE (2.7" O.D.)	25	11-195014-000	LOCKWASHER
4	10-510704-000	SHEAVE (9' O.D.)	26	11-195015-000	LOCKWASHER
5	10-621055-000	SQUARE KEY	27	11-413001-000	ADAPTER BEARING
6	10-635307-000	V-BELT (JB WITH ITEM#1)	28	11-413051-000	ADAPTER BEARING FLANGE
7	10-635308-000	V-BELT (WITH ITEM #'S 1 & 3)	29	11-611009-000	STRAIN RELIEF BUSHING
8	10-635314-000	V-BELT (WITH ITEM #'S 2 & 4)	30	11-611011-000	STRAIN RELIEF BUSHING
9	10-750619-000	CORD-3 COND. 2'-2"	31	11-615502-000	TOGGLE SWITCH
10	11-001262-000	HEX HD SCREW	32	11-678601-000	RECEPTACLE
11	11-001263-000	HEX HD SCREW	33	12-100187-009	KEY
12	11-001345-001	HEX HD SCREW	34	12-352566-000	BRACKET
13	11-001348-000	HEX HD SCREW	35	12-502335-000	CONTROL BOX ASSY
14	11-007348-000	SOFL HD SCREW	36	12-502336-010	CONTROL BOX
15	11-017564-000	SEMS SCREW	37	12-502602-000	BOOSTER FRAME ASSY
16	11-050006-000	WOODRUFF KEY	38	12-502611-000	DRIVE SHAFT
17	11-081007-001	SELF TAP WASHER HD SCREW	39	12-502613-000	HUB
18	11-101208-000	SET SCREW	40	12-750033-000	RECEPTACLE
19	11-170009-000	LOCKNUT	41	12-802059-003	BALL BOOSTER MOTOR
20	11-170011-000	LOCKNUT	42	12-862830-000	RELAY
21	11-190014-000	PLAIN WASHER	43	53-520060-000	TIRE
22	11-190522-000	PLAIN WASHER			

BALL RETURN ASSEMBLY

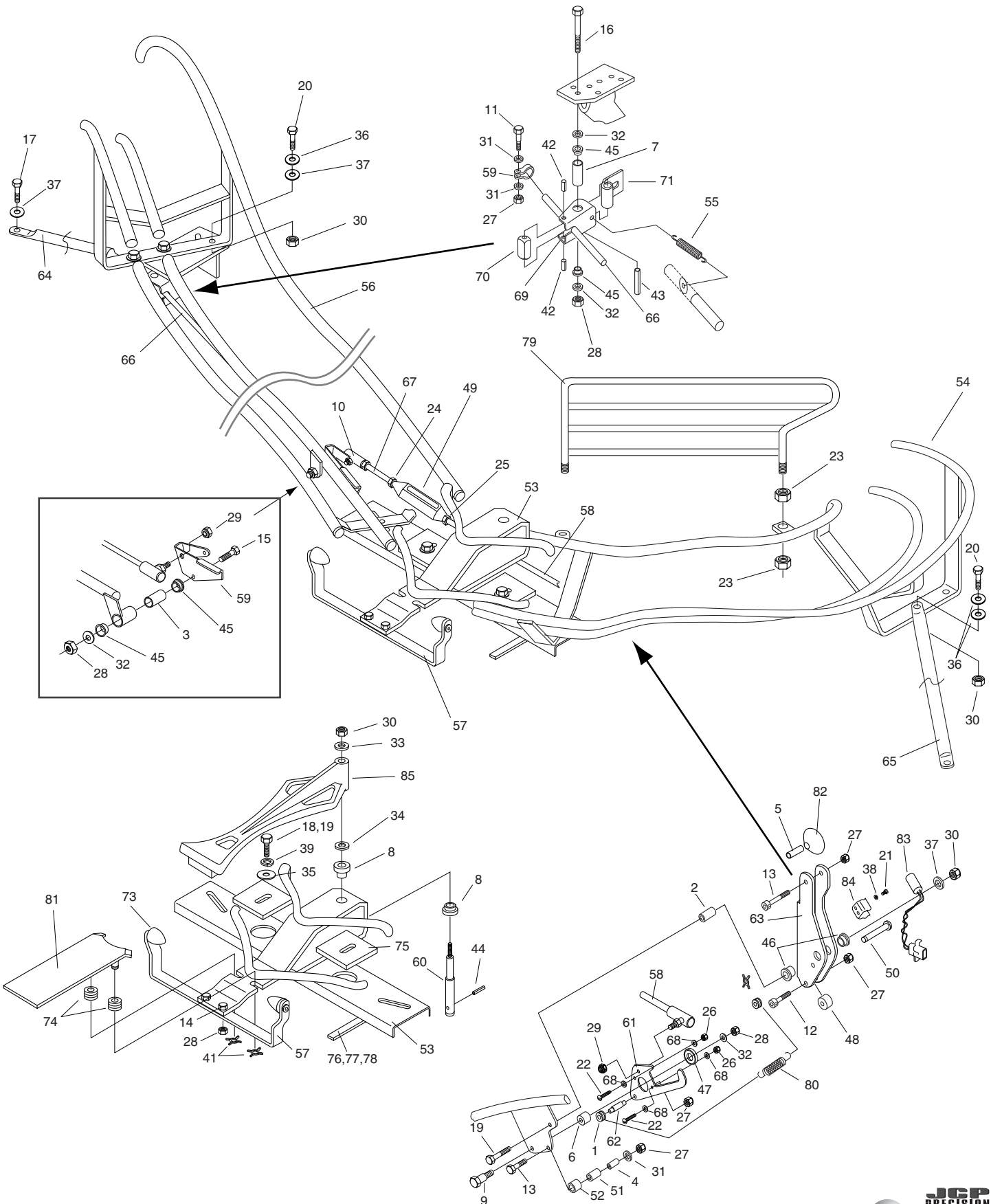


BALL RETURN ASSEMBLY

BALL RETURN ASSEMBLY

ITEM	PART NUMBER	DESCRIPTION	ITEM	PART NUMBER	DESCRIPTION
1	10-376001-000	SPRING ROLLER	44	11-354002-000	GROOVED PIN
2	10-386076-000	SPACER	45	11-421110-000	BEARING, FLANGED
3	10-386077-000	SPACER	46	11-421111-000	BEARING, FLANGED
4	10-386078-000	SPACER	47	11-430037-000	BEARING
5	10-386080-000	SPACER	48	11-450303-000	ROLLER BEARING
6	10-386082-000	SPACER	49	11-599001-000	TURNBUCKLE
7	10-386091-000	SPACER	50	12-150158-017	X-WASHER PIN
8	10-421901-000	BEARING, FLANGED	51	12-250091-000	BEARING
9	10-435501-000	HEX HD SCREW	52	12-252090-000	BUMPER
10	10-690001-000	BALL JOINT ASSY	53	12-502100-000	"Y" SWITCH TRACK ASSY
11	11-001185-000	HEX HD SCREW	54	12-502105-000	CURVE TRACK ASSY
12	11-001186-000	HEX HD SCREW	55	12-502114-000	SPRING
13	11-001190-000	HEX HD SCREW	56	12-502115-000	STRAIGHT TRACK ASSY
14	11-001264-000	HEX HD SCREW	57	12-502131-000	SWITCH STOP BRACKET
15	11-001272-000	HEX HD SCREW	58	12-502132-000	PREFERENCE ROD
16	11-001276-000	HEX HD SCREW	59	12-502133-000	BALL TRIP
17	11-001342-000	HEX HD SCREW	60	12-502134-000	SHAFT
18	11-001348-000	HEX HD SCREW	61	12-502136-000	HOOK
19	11-001350-000	HEX HD SCREW	62	12-502137-000	SPRING POST
20	11-001355-000	HEX HD SCREW	63	12-502138-000	BALL STOP BRACKET
21	11-013020-000	SCREW	64	12-502139-000	TRACK BRACE-LH 26"
22	11-107068-000	MACH SCREW	65	12-502140-000	TRACK BRACE-RH 44-3/4"
23	11-125104-000	HEX NUT	66	12-502142-000	TRIP ROD
24	11-125203-000	HEX JAM NUT-RH	67	12-502143-000	ROD
25	11-125253-000	HEX JAM NUT-LH	68	12-502145-000	WASHER
26	11-170004-000	LOCKNUT	69	12-502150-000	PIVOT BRACKET
27	11-170007-000	LOCKNUT	70	12-502151-000	BLOCK
28	11-170009-000	LOCKNUT	71	12-502152-000	BRACKET
29	11-170010-000	LOCKNUT	72	12-502153-000	STOP
30	11-170011-000	LOCKNUT	73	12-502154-J	BUMPER BOLT STLYE
31	11-190010-000	PLAIN WASHER	74	12-502155-000	SPACER
32	11-190012-000	PLAIN WASHER	75	12-502156-000	PLATE
33	11-190014-000	PLAIN WASHER	76	12-502157-002	SHIM (AS REQ'D)
34	11-190018-000	PLAIN WASHER	77	12-502157-003	SHIM (AS REQ'D)
35	11-190514-001	PLAIN WASHER	78	12-502157-004	SHIM (AS REQ'D)
36	11-190522-000	PLAIN WASHER	79	12-502162-000	FENCE ASSY
37	11-191014-000	FLAT WASHER	80	12-502167-000	TENSION SPRING
38	11-195006-000	LOCKWASHER	81	12-502328-000	PLATE ASSY
39	11-195016-000	LOCKWASHER	82	34-205100-000	ROLLER
40	11-230001-001	X-WASHER	83	53-100247-000	MERCURY SWITCH
41	11-230003-001	X-WASHER	84	53-100248-000	CLIP
42	11-345408-000	ROLL PIN	85	90-502153-000	Y-SWITCH
43	11-345520-000	ROLL PIN			

BALL RETURN ASSEMBLY



BALL RETURN ASSEMBLY

Call 631-582-5450 in NY or Fax 631-582-5875. Outside the NY area, 1-800-366-4JCP.

