

CROSS CONVEYOR ASSEMBLY QUICK REFERENCE

78



12-752056-000
PINSETTER MOTOR



12-450037-000
CROSS CONVEYOR COGGED BELT



12-450037-JCP
JCP PREMIUM COGGED BELT



12-150057-003
STRAP



12-450075-000
SNUBBER



12-400806-003
SPRING



12-400806-002
SPRING



12-450017-000
PIN GATE ASSY



12-402434-000
TURN PAN CAM



12-450032-000
LATCH ASSY



12-400219-000
IDLER PULLEY ASSY



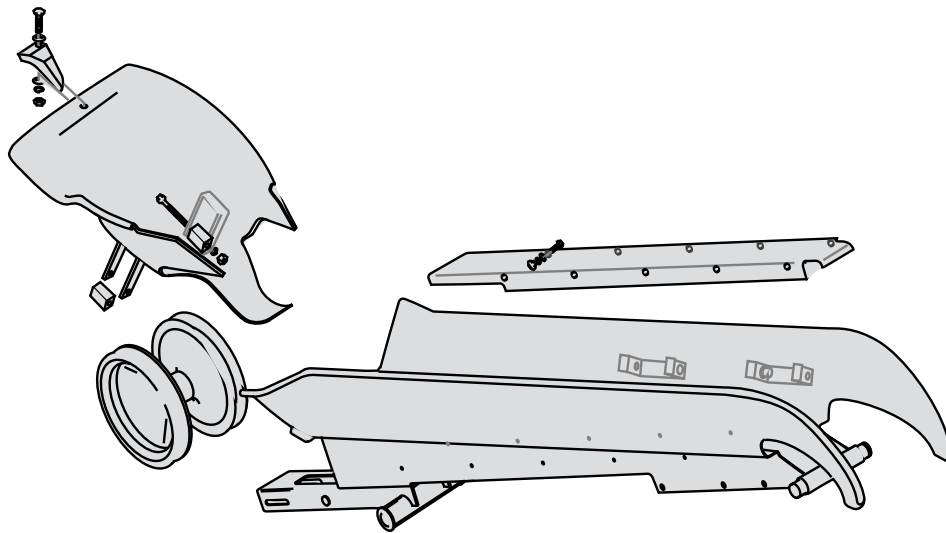
12-400221-000
V BELT IDLER PULLEY ASSY

CROSS CONVEYOR ASSEMBLY



Call 631-582-5450 in NY or Fax 631-582-5875. Outside the NY area, 1-800-366-4JCP.

Section 9 Cross Conveyor Assembly



CROSS CONVEYOR ASSEMBLY

CROSS CONVEYOR ASSEMBLY

80

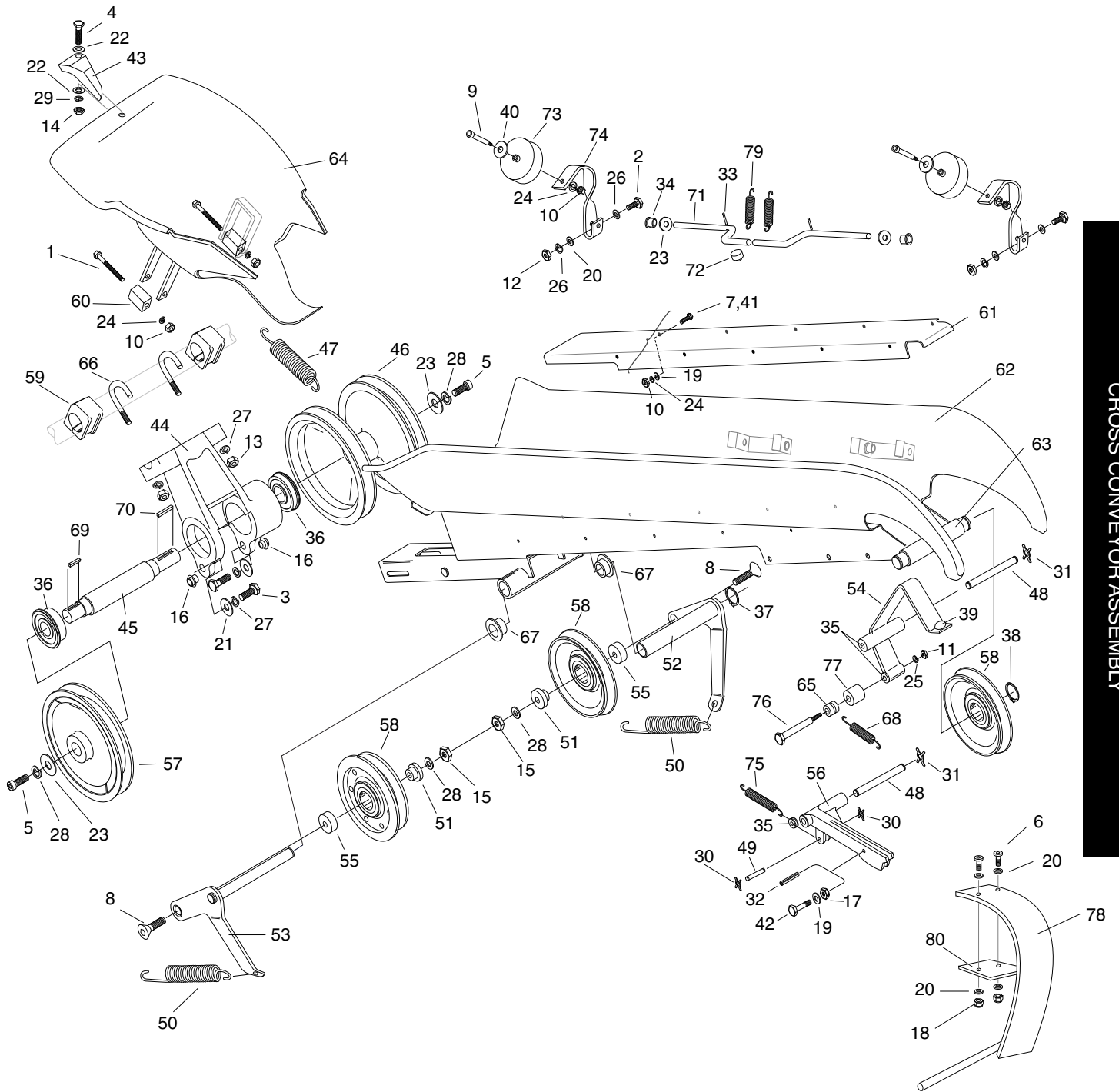
CROSS CONVEYOR ASSEMBLY

ITEM	PART NUMBER	DESCRIPTION	ITEM	PART NUMBER	DESCRIPTION
1	11-001072-000	HX HD MACH SCR (2 REQ'D)	41	12-150304-003	HX HD SCREW (PRIOR TO S/N 152)
2	11-001186-000	HX HD SCREW (2 REQ'D)	42	12-252016-000	SHOULDER BOLT
3	11-001304-000	HX HD SCREW (2 REQ'D)	43	12-402434-000	TURN PAN CAM
4	11-001423-000	HX HD SCREW	44	12-450002-000	BRACKET
5	11-005343-000	SOC HD CAP SCREW	45	12-450003-000	SHAFT
6	11-006184-000	SOBT HD SCREW (2 REQ'D)	46	12-450004-000	PULLEY
7	11-007090-000	SOFL HD SCREW	47	12-450005-000	SPRING
8	11-007348-000	SOFL HD SCREW	48	12-450006-002	PIN
9	11-106504-000	STRIPPER BOLT (2 REQ'D)	49	12-450006-003	PIN
10	11-125004-000	HEX NUT	50	12-450008-000	TENSION SPRING
11	11-125006-000	HEX NUT	51	12-450012-000	BUSHING
12	11-125100-000	HEX NUT (2 REQ'D)	52	12-450013-000	LEVER ASSY
13	11-125102-000	HEX NUT (2 REQ'D)	53	12-450015-000	LEVER ASSY
14	11-125106-000	HEX NUT	54	12-450017-000	PIN GATE ASSY
15	11-125204-000	HEX JAM NUT-RH	55	12-450026-004	SPACER (2 REQ'D)
16	11-155307-000	SPLINE NUT (2 REQ'D)	56	12-450032-000	LATCH ASSY
17	11-170006-001	LOCKNUT	57	12-450033-000	PULLEY
18	11-170007-000	LOCKNUT (2 REQ'D)	58	12-450034-000	CROSS CONVEYOR PULLEY
19	11-190006-000	PLAIN WASHER	59	12-450038-000	RUBBER MOUNT (2 REQ'D)
20	11-190010-000	PLAIN WASHER	60	12-450039-000	SPACER (2 REQ'D)
21	11-190012-000	PLAIN WASHER (2 REQ'D)	61	12-450040-000	PIN REST
22	11-190016-000	PLAIN WASHER	62	12-450043-000	CROSS CONV. FRAME ASSY
23	11-190514-001	PLAIN WASHER	63	12-450043-008	SHAFT
24	11-195010-000	LOCKWASHER	64	12-450044-000	TURN AROUND PAN ASSY
25	11-195012-000	LOCKWASHER	65	12-450045-003	SPRING WHEEL
26	11-195014-000	LOCKWASHER	66	12-450048-000	"J" BOLT (2 REQ'D)
27	11-195015-000	LOCKWASHER	67	12-450049-002	FLANGED BEARING
28	11-195016-000	LOCKWASHER	68	12-450051-000	TENSION SPRING
29	11-195017-000	LOCKWASHER	69	12-450052-002	KEY
30	11-230000-001	X-WASHER (2 REQ'D)	70	12-450052-003	KEY
31	11-230002-001	X-WASHER	71	12-450053-000	SHAFT (2 REQ'D)
32	11-345306-000	ROLL PIN	72	12-450059-000	C.C. ARM BUMPER (2 REQ'D)
33	11-360258-000	SPIROL PIN	73	12-450056-000	WHEEL (2 REQ'D)
34	11-421009-000	OILITE BEARING (2 REQ'D)	74	12-450057-000	BRACKET (2 REQ'D)
35	11-421053-000	OILITE BEARING	75	12-450061-000	TENSION SPRING
36	11-430018-000	BEARING	76	12-450063-000	SHOULDER BOLT
37	11-530019-000	RETAINING RING	77	12-450064-000	PIN GATE ROLLER
38	11-530025-000	RETAINING RING	78	12-450075-000	SNUBBER
39	11-650001-000	BUMPER	79	12-450079-000	SPRING
40	12-100170-016	WASHER (2 REQ'D)	80	12-450080-000	SPACER



Call 631-582-5450 in NY or Fax 631-582-5875. Outside the NY area, 1-800-366-4JCP.

CROSS CONVEYOR ASSEMBLY



CROSS CONVEYOR ASSEMBLY

CROSS CONVEYOR ASSEMBLY

82

CROSS CONVEYOR ASSEMBLY

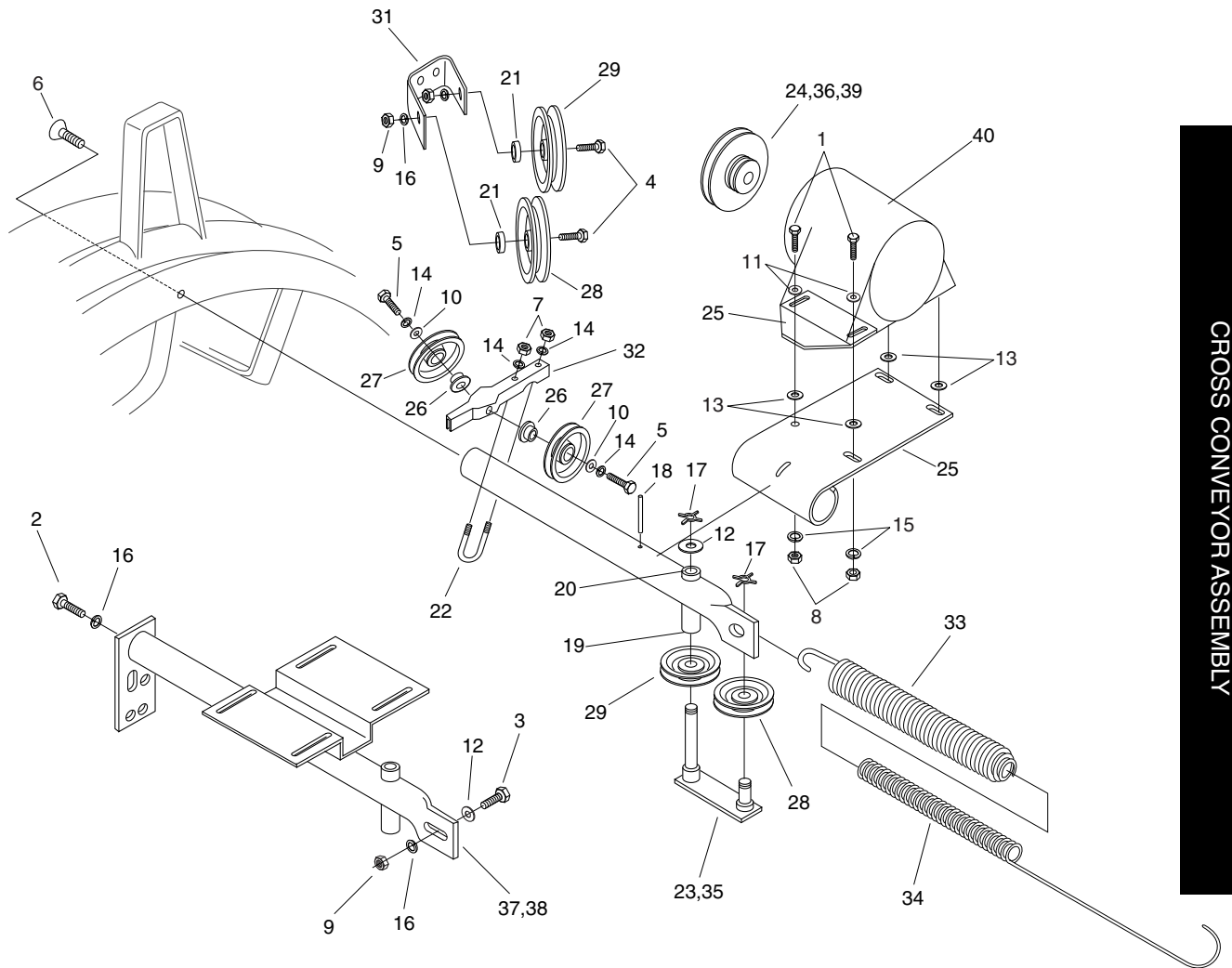
ITEM	PART NUMBER	DESCRIPTION	ITEM	PART NUMBER	DESCRIPTION
1	11-001266-000	HEX HD SCREW	21	12-400018-008	SPACER
2	11-001506-000	HEX HD SCREW	22	12-400022-000	U-BOLT
3	11-001510-000	HEX HD SCREW	23	12-400059-000	TENSION LEVER (A)
4	11-002247-000	HEX HD SCREW	24	12-400081-000	MOTOR PULLEY (A)
5	11-005508-000	SOC HD CAP SCREW	25	12-400101-000	MOTOR MOUNT
6	11-007504-000	SOFL HD SCREW	26	12-400131-000	SPACER
7	11-125100-000	HEX NUT	27	12-400209-000	IDLER PULLEY ASSY
8	11-125102-000	HEX NUT	28	12-400219-000	IDLER PULLEY ASSY
9	11-125108-000	HEX NUT	29	12-400221-000	IDLER PULLEY ASSY
10	11-190010-000	PLAIN WASHER	30	12-400230-000	MOTOR MOUNTING PLATE
11	11-190012-000	PLAIN WASHER	31	12-400302-000	IDLER PULLEY BRACKET
12	11-190018-000	PLAIN WASHER	32	12-400311-000	IDLER PULLEY ARM
13	11-190529-000	PLAIN WASHER	33	12-400806-002	SPRING
14	11-195014-000	LOCKWASHER	34	12-400806-003	SPRING
15	11-195015-000	LOCKWASHER	35	12-402059-000	TENSION LEVER (A-2)
16	11-195018-000	LOCKWASHER	36	12-402081-000	MOTOR PULLEY (A-2)
17	11-230005-001	X-WASHER	37	12-402280-000	MOTOR MOUNT SHAFT ASSY
18	11-345521-000	ROLL PIN	38*	12-402350-000	MOTOR MOUNT SHAFT ASSY
19	11-420014-000	BEARING	39	12-502410-000	MOTOR PULLEY (JB)
20	11-421014-000	BEARING, FLANGED	40	12-752056-000	UNIVERSAL MOTOR

*NOTE: For machines converted to A-2.



Call 631-582-5450 in NY or Fax 631-582-5875. Outside the NY area, 1-800-366-4JCP.

CROSS CONVEYOR ASSEMBLY



CROSS CONVEYOR ASSEMBLY