

ELEVATOR ASSEMBLY QUICK REFERENCE



12-862860-000
ROD COVER CAP KIT



12-400272-000
GUIDE ROLLER ASSY



12-400266-000
PIN WHEEL UPPER
ROLLER ASSY



12-400240-000
BALL WHEEL
ROLLER ASSY



12-400268-000
BALL WHEEL GUIDE
ROLLER ASSY (GROOVED)



12-402422-000
PIN WHEEL BRAKE



12-400193-000
SPRING ROD



12-862823-000
BALL GUIDE ROLLER ASSY



12-400810-000
UNIVERSAL JACK SHAFT



12-862180-000
SUPPORT ARM



12-400257-000
FLANGE



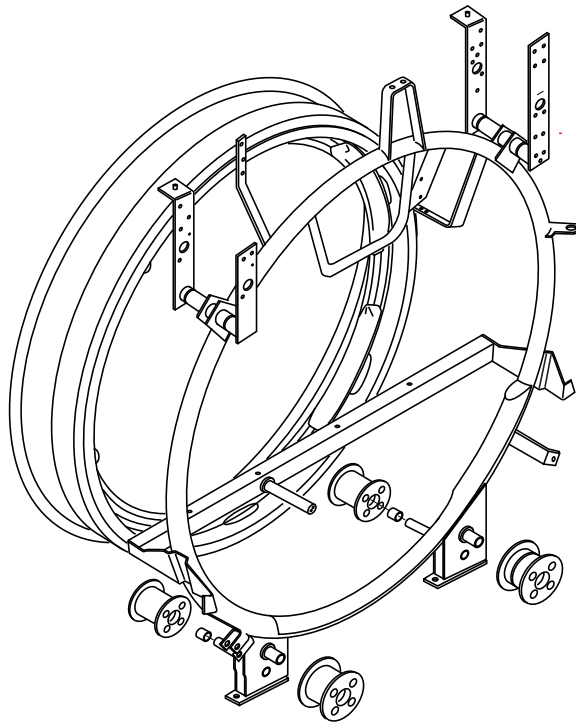
12-400269-000
FLANGE

ELEVATOR ASSEMBLY



Call 631-582-5450 in NY or Fax 631-582-5875. Outside the NY area, 1-800-366-4JCP.

Section 8 Elevator Assembly



ELEVATOR ASSEMBLY

ELEVATOR ASSEMBLY

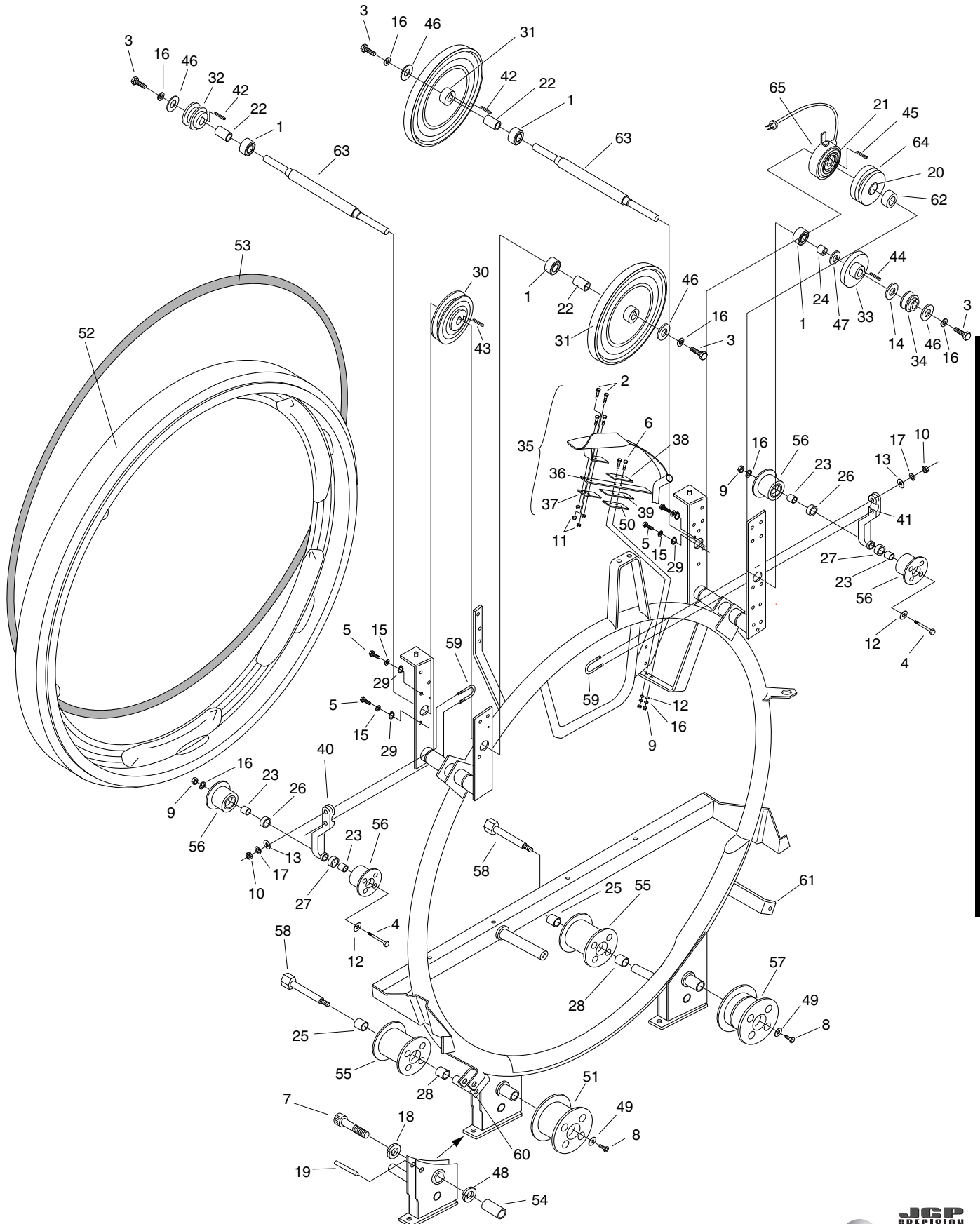
ITEM	PART NUMBER	DESCRIPTION	ITEM	PART NUMBER	DESCRIPTION
1	10-430001-000	BEARING W/SNAP RING	34	12-400035-009	SHEAVE
2	11-001183-000	HEX HD SCREW	35	12-400055-000	WIPER SPRING ASSY
3	11-001342-000	HEX HD SCREW	36	12-400055-003	LONG LEAF SPRING
4	11-001360-000	HEX HD SCREW	37	12-400055-005	RIVET PLATE
5	11-002004-000	HEX HD SCREW	38	12-400058-000	PLATE
6	11-002126-000	HEX HD SCREW	39	12-400071-000	PIN WIPER LEAF SPRING
7	11-004714-000	SOC HD CAP SCREW-LH	40	12-400097-000	LH GUIDE ROLLER ARM
8	11-007344-000	SOFL HD SCREW	41	12-400098-000	RH GUIDE ROLLER ARM
9	11-125104-000	HEX NUT	42	12-400138-002	KEY
10	11-125106-000	HEX NUT	43	12-400138-003	KEY
11	11-170007-000	LOCKNUT	44	12-400138-004	KEY
12	11-190014-000	PLAIN WASHER	45	12-400138-006	KEY
13	11-190016-000	PLAIN WASHER	46	12-400139-003	WASHER
14	11-190024-000	PLAIN WASHER	47	12-400139-005	WASHER
15	11-195014-000	LOCKWASHER	48	12-400139-006	WASHER
16	11-195016-000	LOCKWASHER	49	12-400191-000	WASHER, SPECIAL
17	11-195017-000	LOCKWASHER	50	12-400225-000	PIN WIPER SHIM
18	11-196024-001	HI-COLLAR LOCKWASHER	51	12-400240-000	BALL WHEEL GUIDE ROLLER
19	11-345520-000	ROLL PIN	52	12-400250-000	PIN WHEEL ASSY
20	11-420045-000	OILITE BEARING	53*	12-400251-000	RUBBER CORD
21	11-430045-000	BEARING	54	12-400256-000	SHAFT (AFTER S/N 14,097)
22	12-400018-002	SPACER	55	12-400263-000	LOWER ROLLER ASSY
23	12-400018-004	SPACER	56	12-400266-000	UPPER PIN WHEEL ROLLER ASSY
24	12-400018-007	SPACER	57	12-400268-000	GRVD BALL WHEEL ROLLER ASSY
25	12-400018-011	SPACER	58	12-400284-000	PIN WHEEL ROLLER BOLT
26	12-400018-019	SPACER	59	12-400285-000	U-BOLT
27	12-400018-021	SPACER	60	12-400328-000	BRACKET
28	12-400018-022	SPACER (AFTER S/N 21,869)	61	12-400639-000	BRACKET
29	12-400033-000	BEARING RETAINER	62	12-400804-000	COLLAR
30	12-400035-003	SHEAVE	63	12-400810-000	UNIVERSAL JACK SHAFT
31	12-400035-004	ELEVATOR SHEAVE	64	12-402126-000	PIN WHEEL DRIVE PULLEY
32	12-400035-006	SHEAVE	65	12-862163-000	MAGNETIC CLUTCH
33	12-400035-008	SHEAVE			

*NOTE: For use with steel pin wheels.



Call 631-582-5450 in NY or Fax 631-582-5875. Outside the NY area, 1-800-366-4JCP.

ELEVATOR ASSEMBLY



ELEVATOR ASSEMBLY

Call 631-582-5450 in NY or Fax 631-582-5875. Outside the NY area, 1-800-366-4JCP.



ELEVATOR ASSEMBLY

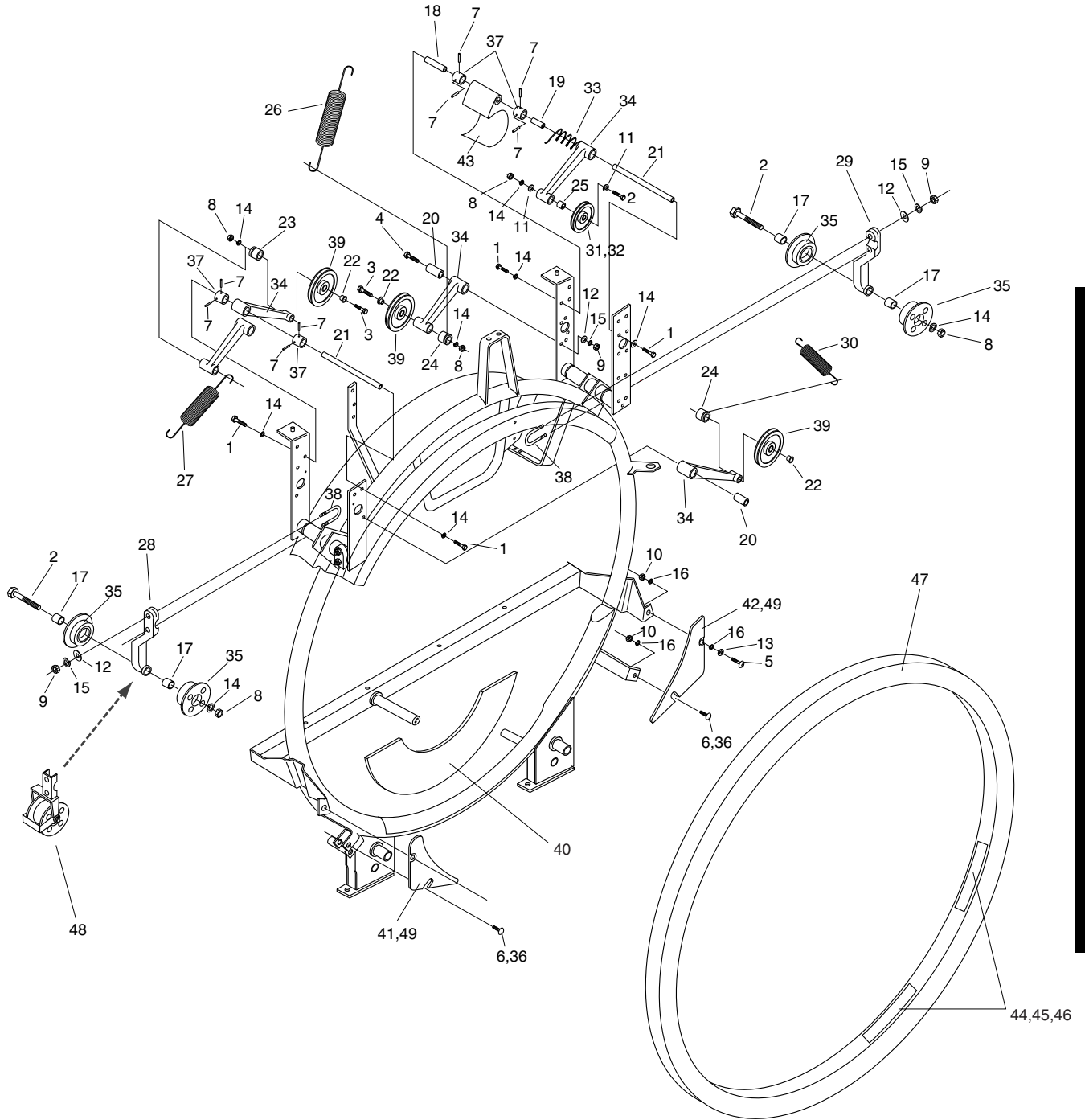
ITEM	PART NUMBER	DESCRIPTION	ITEM	PART NUMBER	DESCRIPTION
1	11-001342-000	HEX HD SCREW	26	12-400040-000	TENSION SPRING
2	11-001354-001	HEX HD SCREW	27	12-400042-000	TENSION SPRING
3	11-001357-000	HEX HD SCREW	28	12-400097-000	LH GUIDE ROLLER ARM
4	11-001359-000	HEX HD SCREW	29	12-400098-000	RH GUIDE ROLLER ARM
5	11-006504-000	SOBT HD SCREW	30	12-400194-000	SPRING
6*	11-071587-000	CARRIAGE BOLT	31	12-400209-000	IDLER PULLEY (ROUND BELT)
7	11-105200-000	SET SCREW	32	12-400221-000	IDLER PULLEY (V-BELT)
8	11-125104-000	HEX NUT	33	12-400252-000	TENSION SPRING
9	11-125106-000	HEX NUT	34	12-400254-000	ARM ASSY
10	11-125108-000	HEX NUT	35	12-400272-000	GUIDE ROLLER ASSY
11	11-190014-000	PLAIN WASHER	36	12-400273-000	CARRIAGE BOLT
12	11-190016-000	PLAIN WASHER	37	12-400281-000	COLLAR
13	11-190018-000	PLAIN WASHER	38	12-400285-000	U-BOLT
14	11-195016-000	LOCKWASHER	39	12-400297-000	IDLER PULLEY ASSY
15	11-195017-000	LOCKWASHER	40	12-400807-000	PAD
16	11-195018-000	LOCKWASHER	41	12-400837-000	LH WHEEL GUARD
17	12-400018-005	SPACER	42	12-400838-000	RH WHEEL GUARD
18	12-400018-016	SPACER	43	12-402422-000	PIN WHEEL BRAKE
19	12-400018-017	SPACER (PRIOR TO S/N 5,250)	44**	12-860330-000	TRACTION MATERIAL 10' ROLL
20	12-400018-023	SPACER	45**	12-860330-005	TRACTION MATERIAL 5' ROLL
21	12-400027-000	IDLER ARM STUD	46**	12-860330-025	TRACTION MATERIAL 25' ROLL
22	12-400030-000	BUSHING	47	12-860662-000	BALL WHEEL
23	12-400031-002	SPRING POST	48	12-862823-000	GUIDE ROLLER ASSY
24	12-400031-003	SPRING POST	49	90-400840-000	UNIVERSAL GUARD
25	12-400036-000	BUSHING			

*NOTE: Used with universal ball wheel guard item#45

**NOTE: Also available p/n 58-4136J (20' roll of PVC rough top.)



Call 631-582-5450 in NY or Fax 631-582-5875. Outside the NY area, 1-800-366-4JCP.



ELEVATOR ASSEMBLY

ELEVATOR ASSEMBLY

ITEM	PART NUMBER	DESCRIPTION	ITEM	PART NUMBER	DESCRIPTION
1	11-001272-000	HEX HD SCREW	23	12-400139-004	WASHER
2	11-001275-000	HEX HD SCREW	24	12-400149-000	REPLACEMENT SHAFT
3	11-005180-000	SOC HD CAP SCREW (A)	25	12-400193-000	SPRING ROD
4	11-005183-000	SOC HD CAP SCREW (A-2)	26	12-400199-000	BEARING, FLANGED
5	11-102262-000	SET SCREW	27	12-400288-000	BALL LIFT ARM ASSY
6	11-105208-000	SET SCREW	28	12-400289-000	SPACER
7	11-125102-000	HEX NUT	29	12-400300-000	COLLAR
8	11-125204-000	HEX JAM NUT-RH	30	12-400803-000	BUSHING
9	11-125208-000	HEX JAM NUT-RH	31	12-400848-000	SHAFT (STEEL CLAPPER)
10	11-170014-000	LOCKNUT	32	12-402042-000	LIFT ROD CAP, TOP
11	11-170108-000	FLEX LOCKNUT	33*	12-402043-000	LIFT ROD CAP, TOP
12	11-190018-000	PLAIN WASHER	34	12-402051-000	BALL LIFT STUD (A-2)
13	11-191024-000	FLAT WASHER	35	12-402053-000	RETAINING WASHER
14	11-195015-000	LOCKWASHER	36	12-402054-000	SPACER
15	11-387264-002	SPACER	37	12-402096-000	CLAMP (A-2)
16	11-421041-000	BEARING, FLANGED	38	12-402121-000	COMPRESSION SPRING (A-2)
17	12-400048-091	LIFT ROD COVER 50'	39	12-402425-000	SUPPORT BRACE
18	12-400051-000	BALL LIFT STUD (A)	40	12-402432-000	LIFT ROD CAP, BOTTOM
19	12-400053-000	BALL LIFT PIN (CAST CLAPPER)	41	12-860579-000	LIFT ROD ASSY (A)
20	12-400096-000	CLAMP (A)	42	12-862180-000	SUPPORT ARM ASSY
21	12-400122-000	COMPRESSION SPRING (A)	43	12-862579-000	LIFT ROD ASSY (A-2)
22	12-400123-000	SPRING ROD BUSHING	44	90-400803-000	SPRING BUSHING-DELTRIN

*NOTE: Use item #32 in place of item #33 for model A machines.

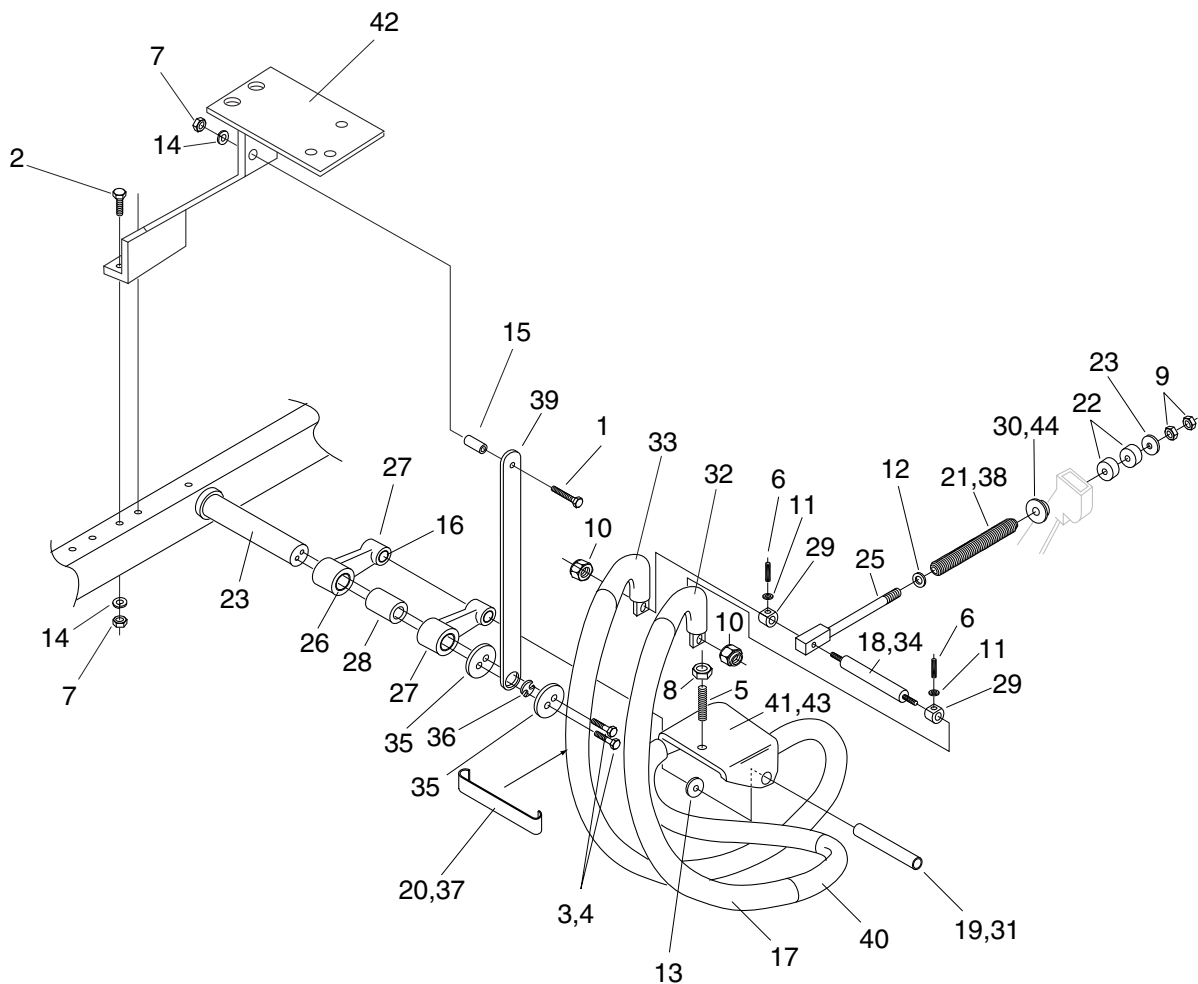
KITS AVAILABLE:

12-860614-000 ROD CAP KIT (A)

12-862860-000 ROD CAP KIT (A-2)



Call 631-582-5450 in NY or Fax 631-582-5875. Outside the NY area, 1-800-366-4JCP.



ELEVATOR ASSEMBLY

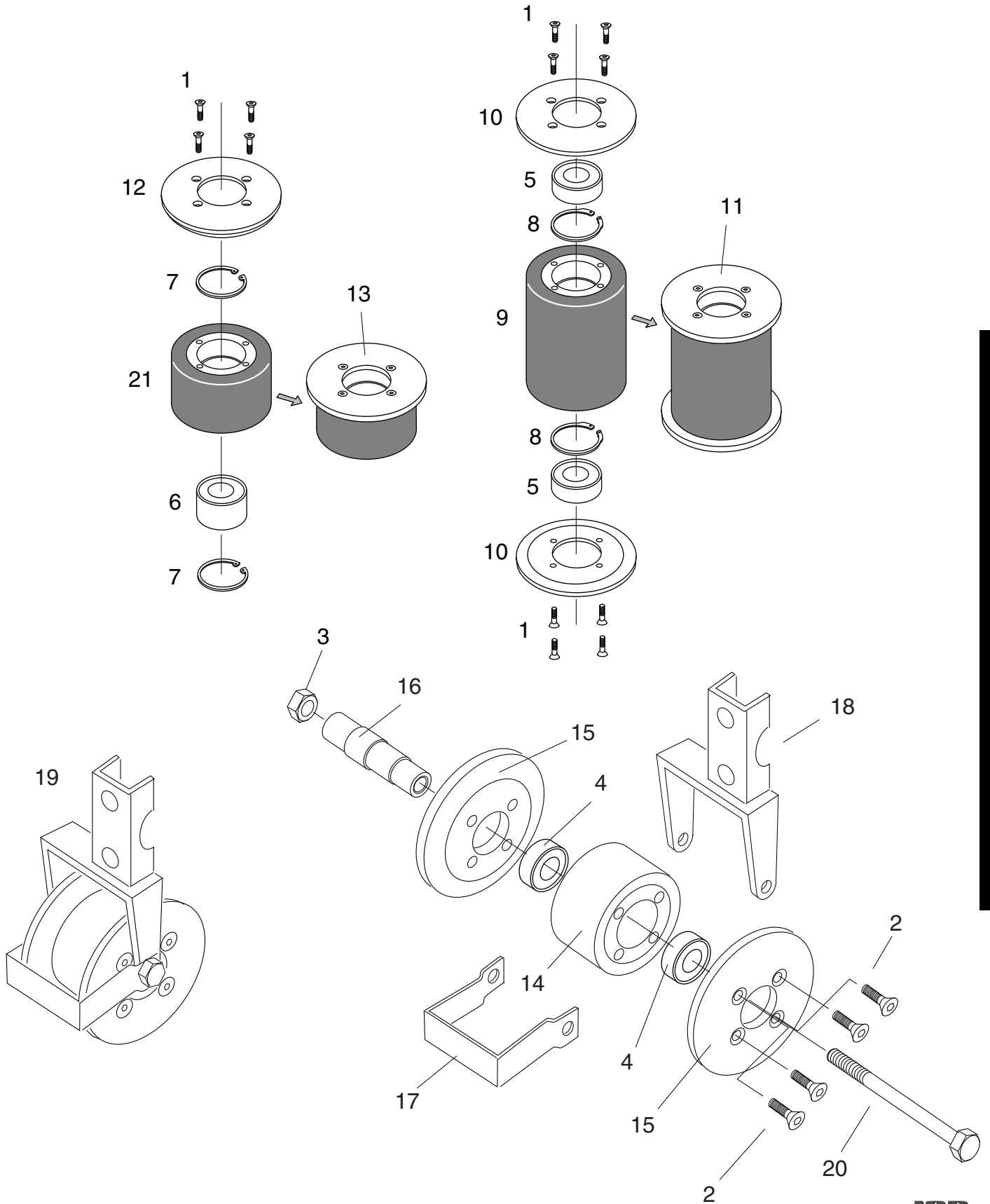
ELEVATOR ASSEMBLY

ITEM	PART NUMBER	DESCRIPTION	ITEM	PART NUMBER	DESCRIPTION
1*	11-007180-000	SOFL HD SCREW	12	12-400265-000	FLANGE
2	11-007182-001	SOFL HD SCREW	13	12-400266-000	UPPER PIN WHEEL ROLLER ASSY
3	11-170011-000	NYLOCK NUT	14	12-8623A	HUB & TIRE
4	11-430007-000	BEARING	15	12-8623B	FLANGE
5	11-430013-000	BEARING	16	12-8623C	SHAFT
6	11-432000-000	BEARING	17	12-8623H	BELT GUARD
7	11-530522-000	RETAINING RING	18	12-8623J	BRACKET
8	11-531020-000	RETAINING RING	19	12-862823-000	H.D. GUIDE ROLLER ASSY
9	12-400261-000	LOWER PIN WHEEL TIRE	20	809-865-725	HEX HEAD SCREW
10	12-400262-000	FLANGE	21	90-400264-000	UPPER PIN WHEEL ROLLER
11	12-400263-000	LOWER ROLLER ASSY			

*NOTE: Apply loctite to screw threads, order p/n 700-107-146.



Call 631-582-5450 in NY or Fax 631-582-5875. Outside the NY area, 1-800-366-4JCP.



ELEVATOR ASSEMBLY

ELEVATOR ASSEMBLY

76

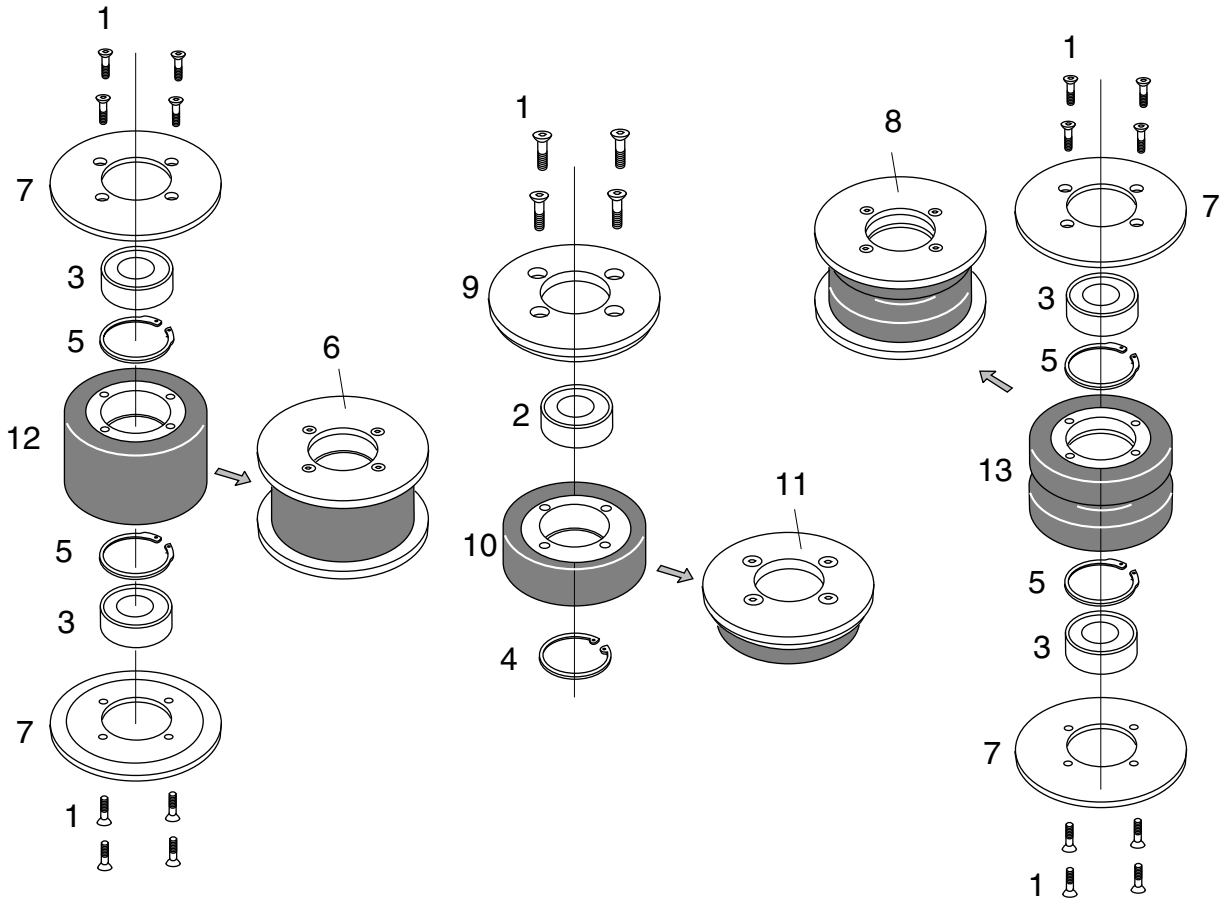
ELEVATOR ASSEMBLY

ITEM	PART NUMBER	DESCRIPTION	ITEM	PART NUMBER	DESCRIPTION
1*	11-007180-000	SOFL HD SCREW	8	12-400268-000	BALL WHEEL ROLLER ASSY (GROOVED)
2	11-430004-000	BEARING	9	12-400269-000	FLANGE
3	11-430013-000	BEARING	10	12-400271-000	ROLLER ASSY
4	11-530522-000	RETAINING RING (IF REQ'D)	11	12-400272-000	GUIDE ROLLER ASSY
5	11-531020-000	RETAINING RING (IF REQ'D)	12	90-400258-000	BALL WHEEL ROLLER (SMOOTH)
6	12-400240-000	BALL WHEEL ROLLER ASSY (SMOOTH)	13	90-400260-000	BALL WHEEL ROLLER (GROOVED)
7	12-400257-000	FLANGE			

*NOTE: Apply loctite to screw threads, order p/n 700-107-146.



Call 631-582-5450 in NY or Fax 631-582-5875. Outside the NY area, 1-800-366-4JCP.



ELEVATOR ASSEMBLY