

RAKE ASSEMBLY QUICK REFERENCE

NEW



12-252374-000J
FIBERTHANE RAKE BOARD ASSY



12-252301-000
RAKE LATCH ASSY.



12-252354-000
TRIP ARM W/BRG



12-252037-000
SWEEP ARM



12-250022-002
TAPERED ROD



12-250278-002
RAKE CRANK ROD



12-252338-000
RAKE SHOCK ASSY

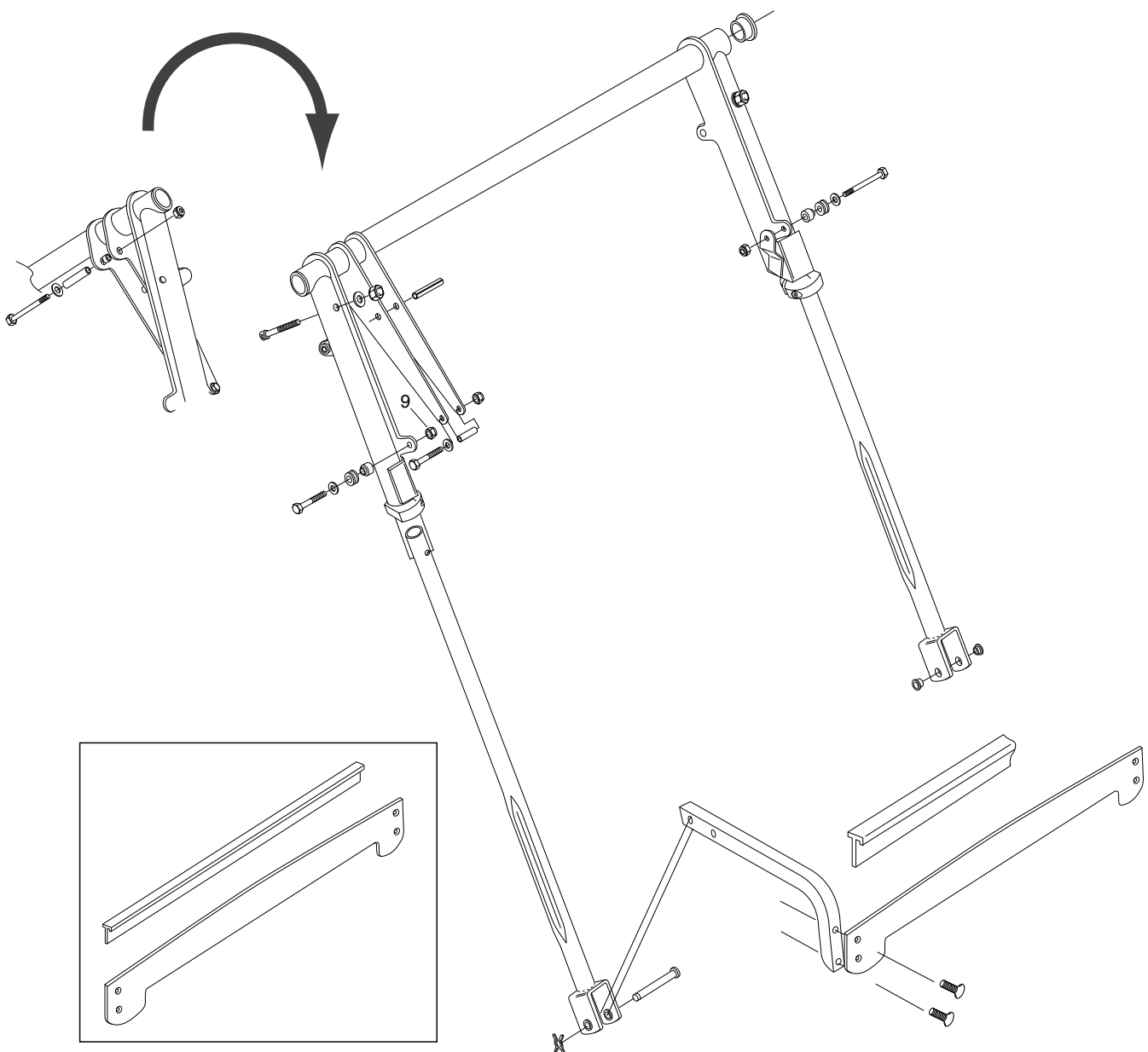


12-252356-000
TRIP ROD LEVER



12-350126-000
COMPRESSION SPRING

Section 7 Rake Assembly



RAKE ASSEMBLY

RAKE ASSEMBLY

ITEM	PART NUMBER	DESCRIPTION	ITEM	PART NUMBER	DESCRIPTION
1	10-125002-000	HEX JAM NUT	35	12-250011-021	SPACER
2	10-376009-000	SPRING NUT	36	12-250014-000	PIVOT ASSY
3	11-001272-000	HEX HD SCREW	37	12-250020-000	PIVOT ASSY
4	11-001278-000	HEX HD SCREW	38	12-250021-002	ROD END RH
5	11-001314-000	HEX HD SCREW	39	12-250021-003	ROD END LH
6	11-002008-000	HEX HD SCREW	40*	12-250022-002	TAPERED ROD
7	11-002070-000	HEX HD SCREW	41	12-250027-000	PIVOT ASSY
8	11-002075-000	HEX HD SCREW	42	12-250031-002	ROD
9	11-125200-000	HEX JAM NUT-RH	43	12-250050-000	TENSION SPRING
10	11-125204-000	HEX JAM NUT-RH	44	12-250051-000	TENSION SPRING
11	11-125207-000	HEX JAM NUT-RH	45	12-250075-000	GROOVED BEARING
12	11-125209-000	HEX JAM NUT-RH	46	12-250076-002	NYLON WASHER
13	11-125250-000	HEX JAM NUT-LH	47	12-250076-003	NYLON WASHER
14	11-125257-000	HEX JAM NUT-LH	48	12-250091-000	OILITE BEARING
15	11-125259-000	HEX JAM NUT-LH	49	12-250189-000	RUBBER BUSHING
16	11-125263-000	HEX JAM NUT-LH	50	12-250197-000	STEPPED SPACER
17	11-125415-000	ACORN NUT	51	12-250273-000	PIVOT ASSY
18	11-131510-001	FLANGED NUT	52	12-250275-000	PIVOT ASSY
19	11-170007-000	LOCKNUT	53**	12-250278-002	ROD
20	11-170010-000	LOCKNUT	54	12-252000-053	ROD END
21	11-190012-000	PLAIN WASHER	55	12-252024-004	LIFT ROD 59-1/2"
22	11-190519-000	PLAIN WASHER	56	12-252029-000	SLOTTED PIVOT
23	11-195018-000	LOCKWASHER	57	12-252090-000	BUMPER
24	11-230001-001	X-WASHER	58	12-252092-000	BUMPER & BEARING ASSY
25	11-230005-001	X-WASHER	59	12-252301-000	RAKE LATCH ASSY
26	11-420063-000	SLEEVE BEARING	60	12-252338-000	RAKE SHOCK ASSY
27	11-420069-000	OILITE BEARING	61	12-252338-003	MOUNTING ROD END
28	11-420102-000	OILITE BEARING	62	ORDER ITEM # 60	
29	11-421027-000	FLANGED BEARING	63	12-252339-000	SPACER
30	11-590000-000	OIL HOLE COVER	64	12-252342-000	BUMPER
31	12-250010-007	X-WASHER PIN	65	12-252361-000	BRACKET
32	12-250010-011	X-WASHER PIN	66	12-252364-003	TUBE
33	12-250011-014	SPACER	67	12-752015-000	CLIP
34	12-250011-019	SPACER			

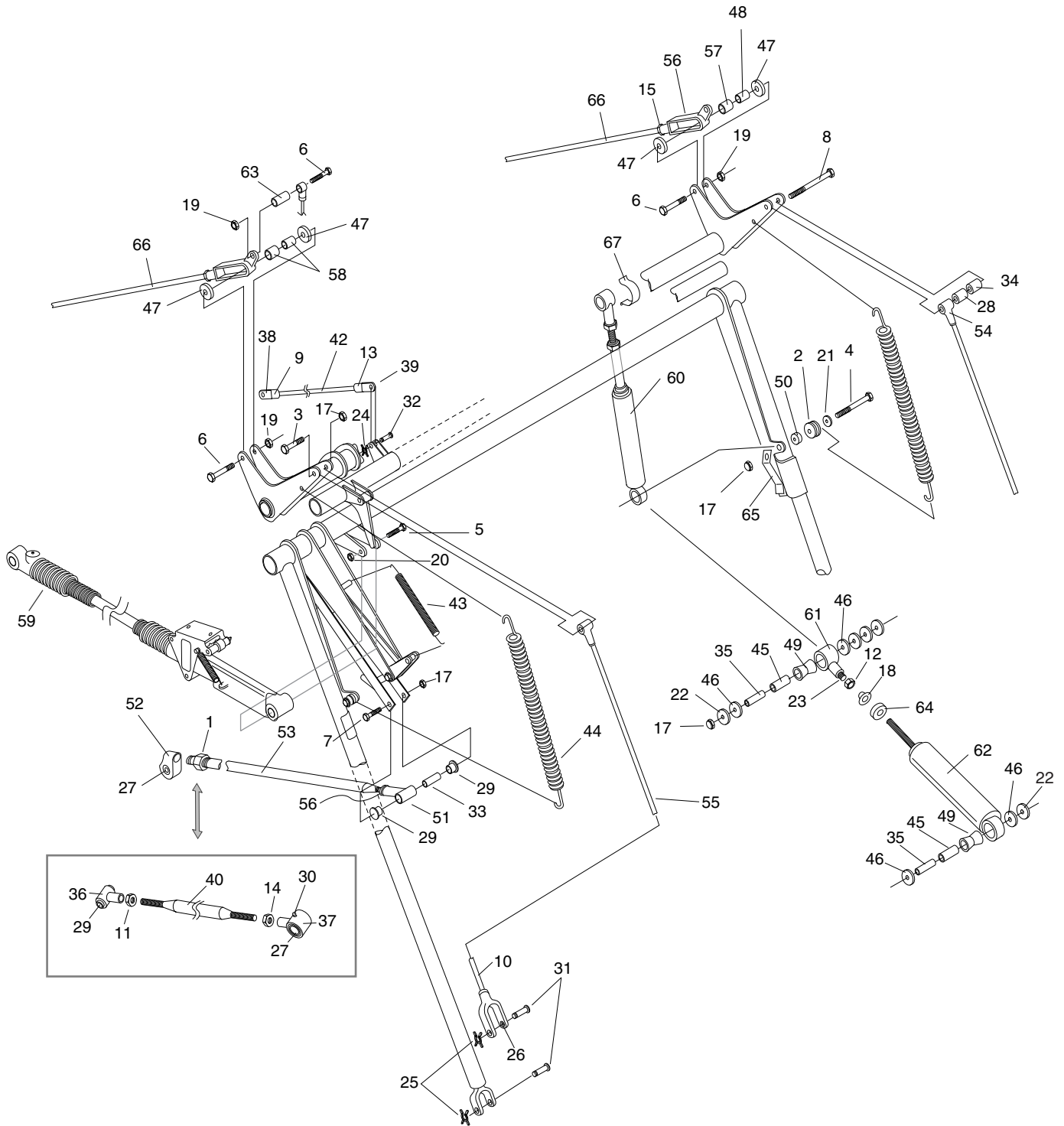
*NOTE: Also available in spring loaded style, order p/n 12-250289-000.

**NOTE: Also available in spring loaded style, order p/n 12-252309-000.



Call 631-582-5450 in NY or Fax 631-582-5875. Outside the NY area, 1-800-366-4JCP.

RAKE ASSEMBLY



RAKE ASSEMBLY

RAKE ASSEMBLY

ITEM	PART NUMBER	DESCRIPTION	ITEM	PART NUMBER	DESCRIPTION
1	10-376009-000	SPACER (2 REQ'D)	19	11-421102-000	BEARING, FLANGED
2	11-001185-000	HEX HD SCREW	20	11-421103-000	BEARING, FLANGED
3	11-001186-000	HEX HD SCREW	21	11-421104-000	BEARING, FLANGED
4	11-001188-000	HEX HD SCREW	22	11-421105-000	BEARING, FLANGED
5*	11-001194-000	HEX HD SCREW	23	12-100185-022	SPACER
6*	11-001276-000	HEX HD SCREW	24	12-100185-023	SPACER (2 REQ'D)
7*	11-002070-000	HEX HD SCREW	25	12-250011-015	SPACER (4 REQ'D)
8*	11-002077-000	HEX HD SCREW	26	12-250011-019	SPACER (2 REQ'D)
9	11-005266-000	SOC HD CAP SCREW	27	12-250011-020	SPACER
10*	11-007193-000	SOFL HD SCREW	28	12-250183-005	SPACER (2 REQ'D)
11	11-007267-000	SOFL HD SCREW	29**	12-252048-000	"JCP" RAKE LIFT SHAFT
12	11-125201-000	HEX JAM NUT-RH	30	12-252301-000	RAKE LATCH ASSY
13	11-125251-000	HEX JAM NUT-LH	31	12-252353-000	TURNBUCKLE ROD
14	11-170007-000	LOCKNUT	32	12-252354-002	TRIP ARM ASSY
15	11-170009-000	LOCKNUT	33	12-252355-091	PIVOT LINK ASSY
16	11-190012-000	PLAIN WASHER	34	12-252356-000	TRIP ROD LEVER
17	11-196012-000	HI-COLLAR LOCKWASHER	35	12-860576-000	ROD END KIT-RH
18	11-345516-000	ROLL PIN (2 REQ'D)	36	12-860577-000	ROD END KIT-LH

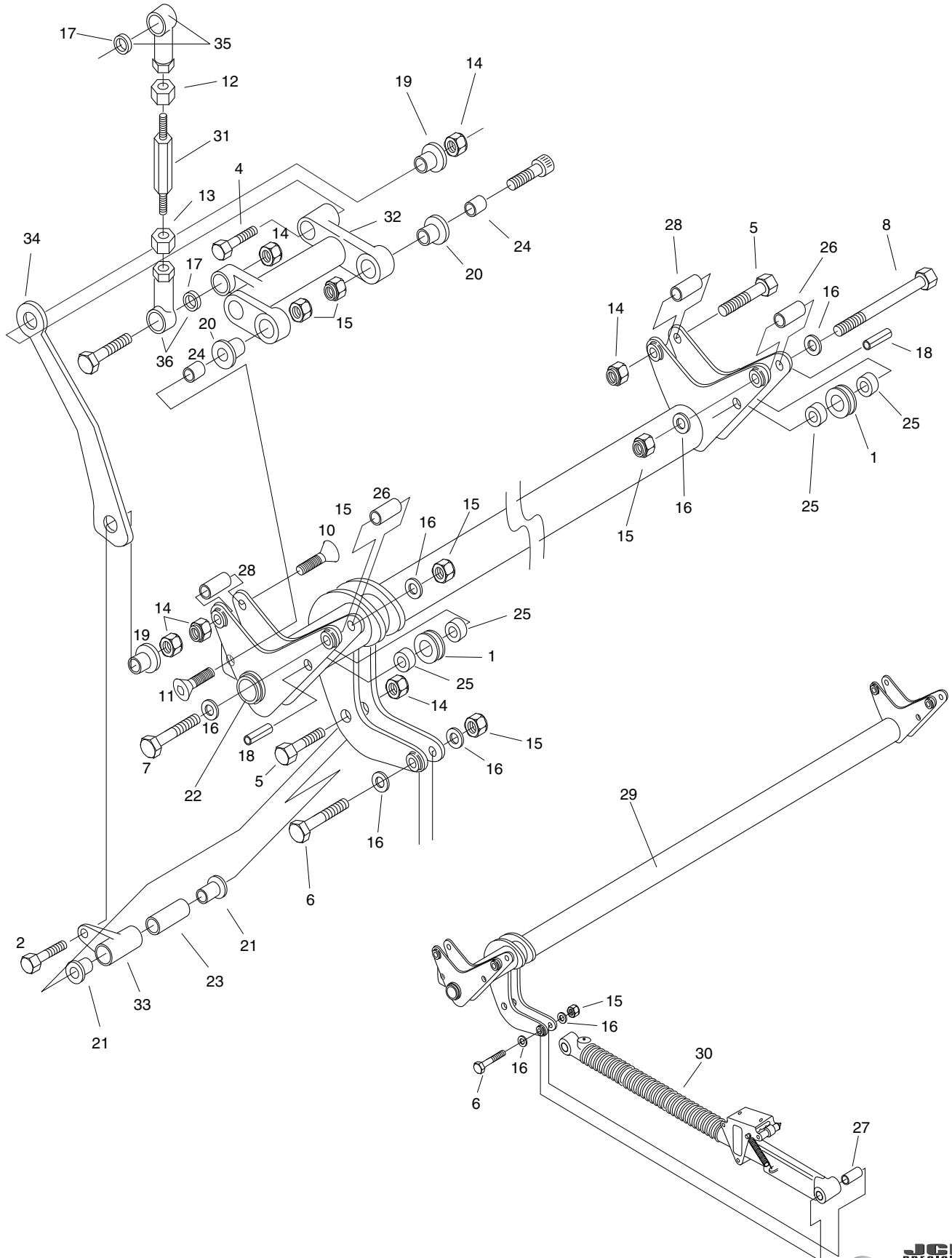
* NOTE: Special hardware used on "JCP" rake lift arm shown.

** NOTE: Item 29 has reinforced holes and comes with all required hardware for easy installation.



Call 631-582-5450 in NY or Fax 631-582-5875. Outside the NY area, 1-800-366-4JCP.

RAKE ASSEMBLY



RAKE ASSEMBLY

Call 631-582-5450 in NY or Fax 631-582-5875. Outside the NY area, 1-800-366-4JCP.



RAKE ASSEMBLY

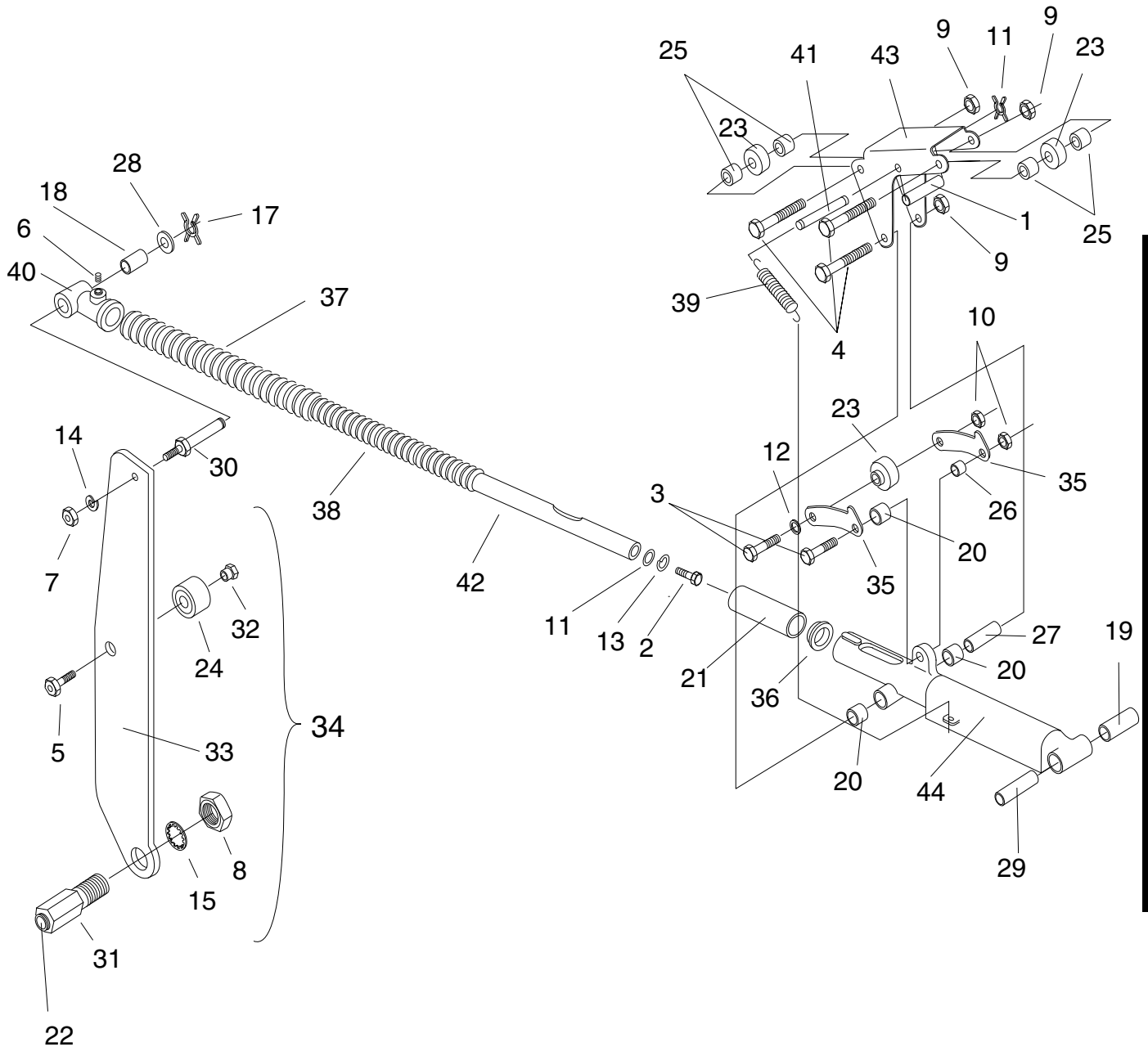
ITEM	PART NUMBER	DESCRIPTION	ITEM	PART NUMBER	DESCRIPTION
1	10-386062-000	SPACER	23	11-450303-000	ROLLER BEARING(3 REQ'D)
2	11-001178-000	HEX HD SCREW	24	11-460000-000	NEEDLE BEARING
3	11-001185-000	HEX HD SCREW(2 REQ'D)	25	12-100185-020	SPACER(4 REQ'D)
4	11-001193-000	HEX HD SCREW(3 REQ'D)	26	12-100185-021	SPACER
5*	11-002155-000	HEX HD SCREW	27	12-100185-022	SPACER
6	11-101208-000	SET SCREW	28	12-100338-003	SPACER
7	11-125104-000	HEX NUT	29	12-250011-020	SPACER
8	11-125221-000	HEX JAM NUT RH	30	12-250229-000	PIVOT STUD
9	11-170007-000	LOCKNUT(3 REQ'D)	31	12-250230-000	HUB & BRG. ASSY
10	11-170106-000	LOCKNUT(2 REQ'D)	32	12-250244-000	BEARING STUD
11	11-190508-000	PLAIN WASHER	33	12-252234-000	CAM FOLLOWER
12	11-190509-000	PLAIN WASHER	34	12-252235-000	CAM FOLLOWER ARM ASSY
13	11-195014-000	LOCKWASHER	35	12-252326-000	ROLLER BRACKET(2 REQ'D)
14	11-195016-000	LOCKWASHER	36	12-252327-000	SPRING SEAT
15	11-199019-000	LOCKWASHER	37	12-252328-000	OUTER SPRING
16	11-230001-001	X-WASHER	38	12-252329-000	INNER SPRING
17	11-230005-001	X-WASHER	39	12-252330-000	SPRING
18	11-420035-000	OILITE BEARING	40	12-252331-000	SHAFT END
19	11-420096-000	OILITE BEARING	41	12-252332-000	X-WASHER PIN
20	11-420097-000	OILITE BEARING (3 REQ'D)	42	12-252333-000	SHAFT
21	11-420098-000	OILITE BEARING	43	12-252334-000	TRIP BRACKET
22	11-421019-000	OILITE BEARING	44	12-252335-000	TRIP CYLINDER

*NOTE: If item #33 has countersunk hole use p/n 11-007386-000 instead of item #5



Call 631-582-5450 in NY or Fax 631-582-5875. Outside the NY area, 1-800-366-4JCP.

RAKE ASSEMBLY

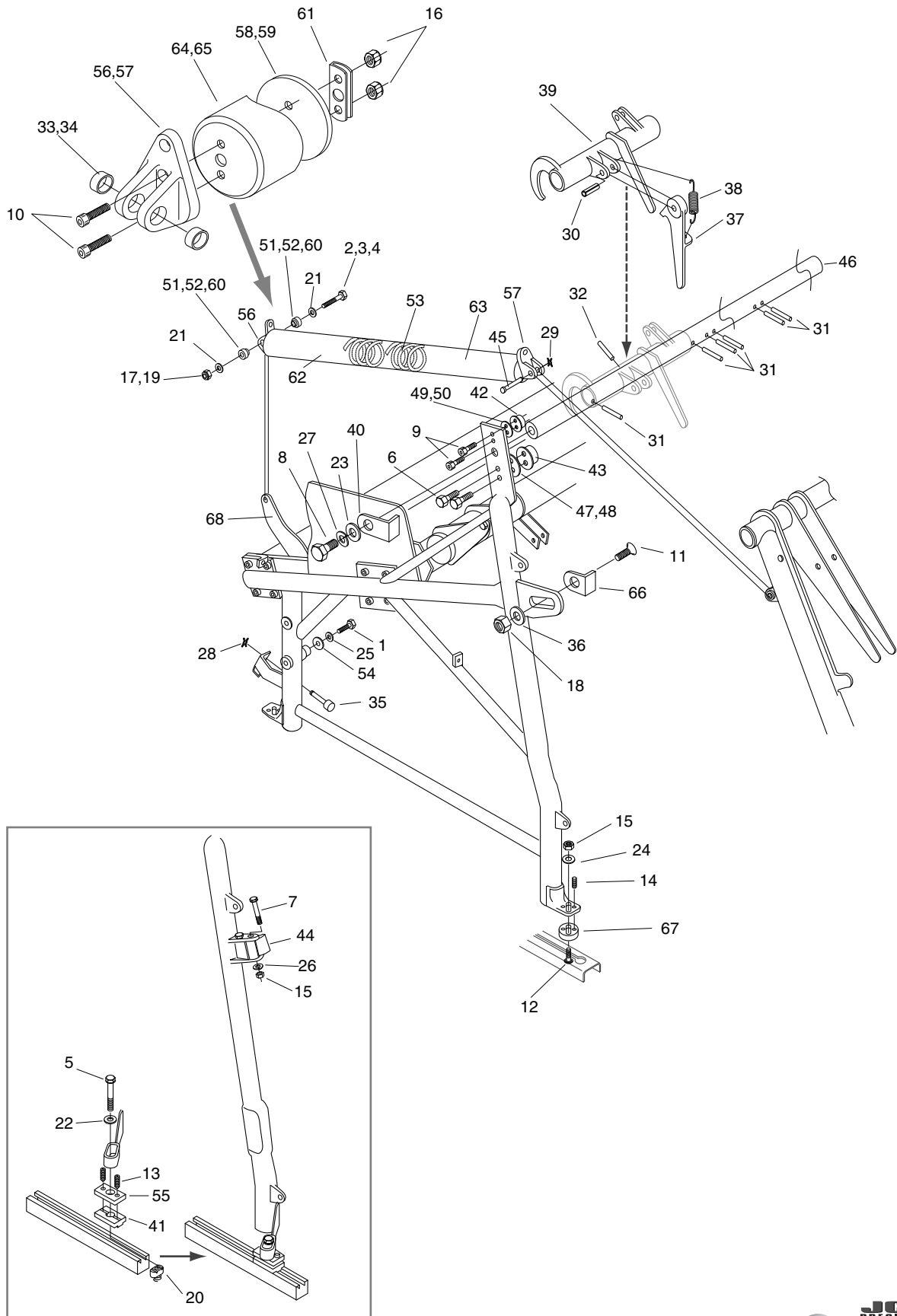


RAKE ASSEMBLY

RAKE ASSEMBLY

ITEM	PART NUMBER	DESCRIPTION	ITEM	PART NUMBER	DESCRIPTION
1	11-001344-000	HEX HD SCREW	35	12-100166-031	PIN
2	11-001352-000	HEX HD SCREW (S/N 14,501 TO S/N 62,888)	36	12-100170-003	WASHER
3	11-001353-000	HEX HD SCREW (AFTER S/N 62,888)	37	12-250044-000	LATCH
4	11-001512-000	HEX HD SCREW (PRIOR TO S/N 14,501)	38	12-250127-000	TENSION SPRING
5	11-001518-000	HEX HD SCREW	39	12-250265-000	RAKE LEVER SHOE ASSY
6	11-002124-000	HEX HD SCREW	40	12-252362-000	RAKE LOWERING STOP
7	11-002252-000	HEX HD SCREW	41	12-350001-000	STRIP
8	11-002365-000	HEX HD SCREW	42	12-350010-000	BEARING STUD
9	11-005264-000	SOC HD CAP SCREW	43	12-350011-000	BEARING STUD
10	11-005304-000	SOC HD CAP SCREW	44	12-350022-000	STOP
11	11-007712-000	SOFL HD SCREW	45	12-350023-002	PIN
12	11-071587-000	CARRIAGE BOLT	46	12-350086-000	CROSS BRACE
13	11-103253-000	SET SCREW	47	12-350118-002	SHIM .030 (AS REQ'D)
14	11-103295-000	SET SCREW	48	12-350118-003	SHIM .060 (AS REQ'D)
15	11-125108-000	HEX NUT	49	12-350118-004	SHIM .030 (AS REQ'D)
16	11-170010-000	LOCKNUT	50	12-350118-005	SHIM .060 (AS REQ'D)
17	11-170011-000	LOCKNUT (AFTER S/N 14,501)	51	12-350120-000	BUSHING 9/16"LG
18	11-170020-000	LOCKNUT	52	12-350123-000	BUSHING (PRIOR TO S/N 14,501)
19	11-170114-000	LOCKNUT (PRIOR TO S/N 14,501)	53	12-350126-000	COMPRESSION SPRING
20	11-180006-000	CLAMPING NUT & SPRING	54	12-350128-000	WASHER
21	11-190014-000	PLAIN WASHER (AFTER S/N 14,501)	55	12-350147-000	CLAMP PLATE
22	11-190018-000	PLAIN WASHER	56	12-350163-002	SPRING GUIDE TUBE CAP
23	11-190022-000	PLAIN WASHER	57	12-350163-003	SPRING GUIDE TUBE CAP
24	11-190520-001	PLAIN WASHER	58	12-350164-002	WASHER, INSIDE TUBE
25	11-195016-000	LOCKWASHER	59	12-350164-003	WASHER, OUTSIDE TUBE
26	11-195018-000	LOCKWASHER	60	12-350165-000	BUSHING 3/4"LG
27	11-195020-000	LOCKWASHER	61	12-350167-000	NUT RETAINER
28	11-230001-001	X-WASHER	62	12-350168-000	SPRING GUIDE ASSY OUTSIDE
29	11-230005-001	X-WASHER	63	12-350169-000	SPRING GUIDE ASSY INSIDE
30	11-345412-000	ROLL PIN	64	12-350170-000	SPRING GUIDE TUBE OUTSIDE
31	11-345418-000	ROLL PIN	65	12-350171-000	SPRING GUIDE TUBE INSIDE
32	11-345420-000	ROLL PIN	66	12-352022-000	RAKE STOP
33	11-420009-000	OILITE BEARING	67	12-752020-000	WASHER
34	11-420019-000	OILITE BEARING (AFTER S/N 14,501)	68	12-862581-000	DECK LIFT SHAFT

RAKE ASSEMBLY



RAKE ASSEMBLY

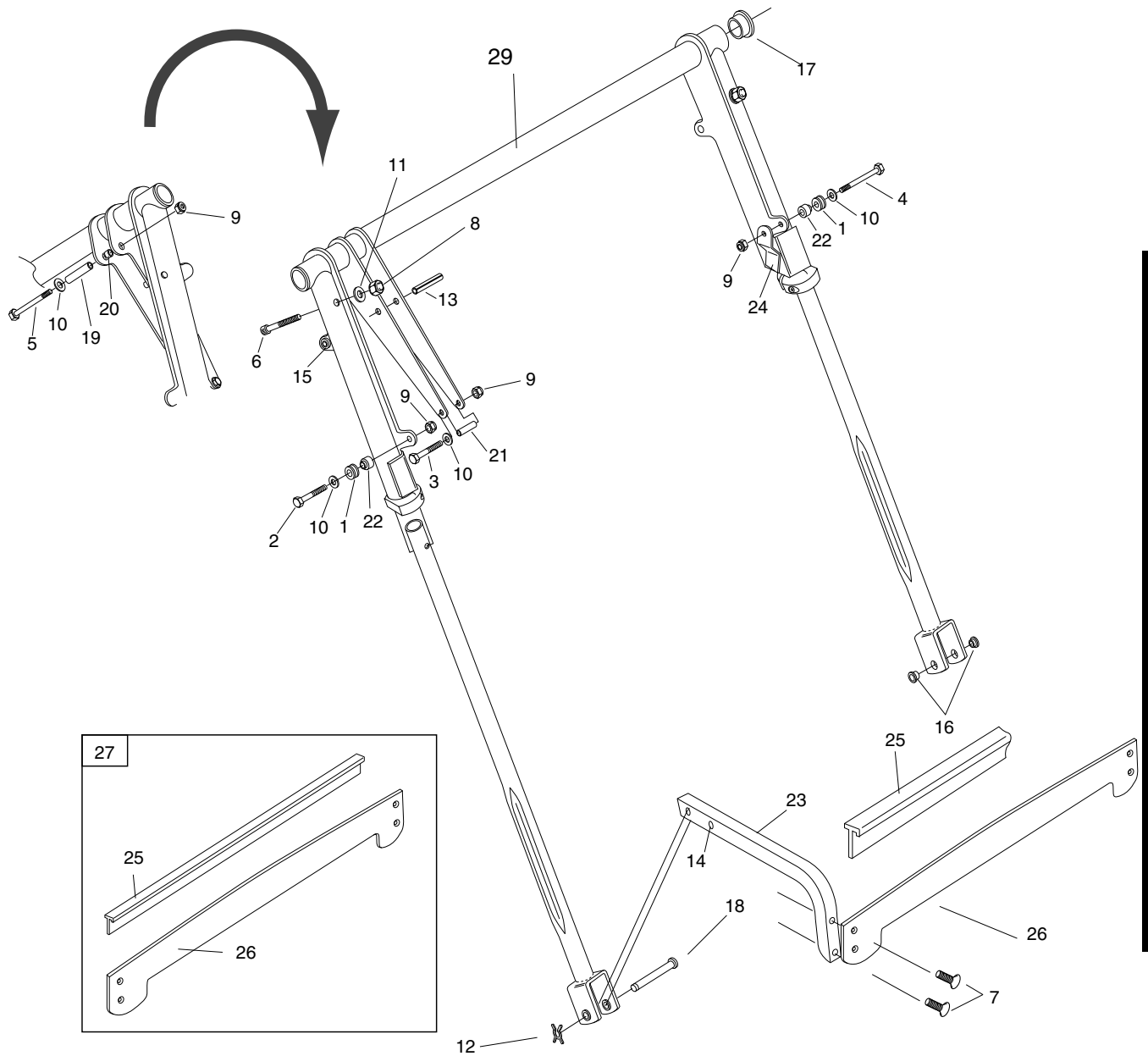
Call 631-582-5450 in NY or Fax 631-582-5875. Outside the NY area, 1-800-366-4JCP.



RAKE ASSEMBLY

ITEM	PART NUMBER	DESCRIPTION	ITEM	PART NUMBER	DESCRIPTION
1	10-376009-000	SPRING ROLLER	17	11-421030-000	OILITE BEARING
2	11-001270-000	HEX HD SCREW	18	12-250010-007	X-WASHER PIN
3	11-001272-000	HEX HD SCREW	19	12-250011-011	SPACER
4	11-001278-000	HEX HD SCREW	20	12-250011-012	SPACER
5	11-002072-001	HEX HD SCREW	21	12-250011-013	SPACER
6	11-005192-001	SOC HD CAP SCREW	22	12-250197-000	STEPPED SPACER
7	11-007386-000	SOFL HD SCREW	23	12-252037-000	SWEEP ARM
8	11-125411-001	ACORN NUT	24	12-252361-000	BRACKET
9	11-170009-000	LOCKNUT	25	12-252372-000	CUSHION
10	11-190012-000	PLAIN WASHER	26	12-252373-000	FIBERTHANE RAKE BOARD
11	11-195015-000	LOCKWASHER	27	12-252374-000J	FIBERTHANE RAKE BOARD ASSY
12	11-230005-001	X-WASHER	29	420150	ZOT RAKE SHAFT ASSY
13	11-345418-000	ROLL PIN			
14	11-420035-000	OILITE BEARING			
15	11-420063-000	OILITE BEARING			
16	11-421017-000	OILITE BEARING			

RAKE ASSEMBLY



RAKE ASSEMBLY