

PIT CONVEYOR ASSEMBLY QUICK REFERENCE

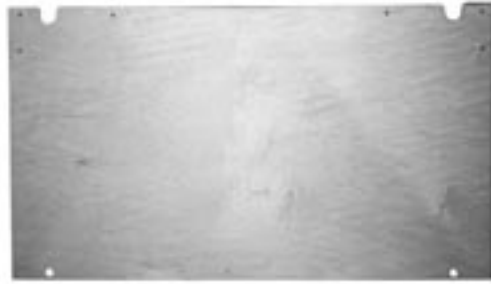
PIT CONVEYOR ASSEMBLY



90-675000-000
RUBBER MOUNT



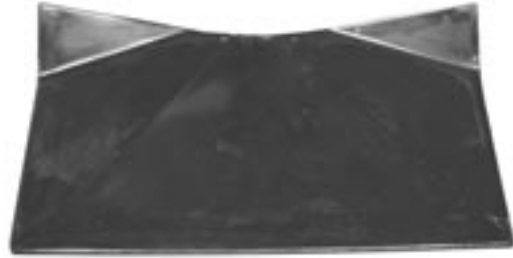
12-860620-005
WOOD PIT BOARD



12-860624-000
QUICK RELEASE KIT



12-860620-002
FIBERGLASS PIT BOARD



12-860620-004
WOOD PIT BOARD ASSY



12-300103-000
JCP PIT CARPET



12-300141-000
VIBRATOR SHAFT



12-300075-000
BELT IDLER



12-300192-000
LEVER & BRKT R.H.



12-300193-000
LEVER & BRKT L.H.



12-300071-000
PULLEY ASSY



12-300194-000
JOGGER LINK ASSY



12-300169-000
CLAMP ASSY L.H.



12-300168-000
CLAMP ASSY R.H.



12-300073-000
PULLEY ASSY



90-300076-000
FRONT PIT MOUNT



90-300077-000
REAR PIT MOUNT

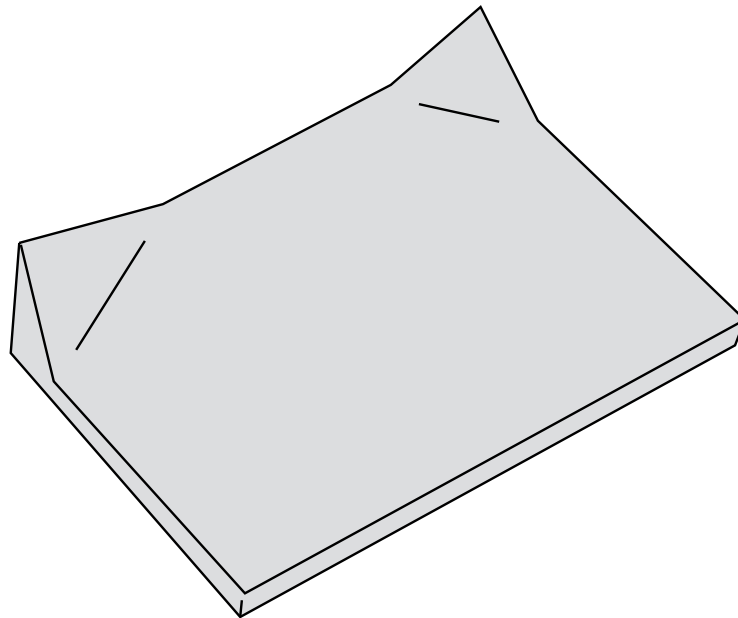


12-300160-000
PIT BRG. ASSY



Call 631-582-5450 in NY or Fax 631-582-5875. Outside the NY area, 1-800-366-4JCP.

Section 6 Pit Conveyor Assembly



PIT CONVEYOR ASSEMBLY

PIT CONVEYOR ASSEMBLY

ITEM	PART NUMBER	DESCRIPTION	ITEM	PART NUMBER	DESCRIPTION
1	11-001270-000	HEX HD SCREW	44	11-491000-000	BEARING
2	11-001286-000	HEX HD SCREW	45	11-536026-000	RETAINING RING
3	11-001390-000	HEX HD SCREW	46	90-675000-000	RUBBER MOUNT
4	11-001393-000	HEX HD SCREW	47	12-300013-002	SPACER
5	11-001506-000	HEX HD SCREW	48	12-300016-002	WASHER
6	11-001508-000	HEX HD SCREW	49	12-300071-000	PULLEY ASSY
7	11-005184-000	SOC HD CAP SCREW	50	12-300073-000	PULLEY ASSY
8	11-007092-000	SOFL HD SCREW	51	12-300075-000	BELT IDLER ASSY
9	11-102220-000	SET SCREW	52	12-300081-004	WASHER
10	11-110130-001	HEX HD BOLT	53	12-300088-000	PULLEY ASSY
11	11-125004-000	HEX NUT	54	12-300107-002	CARRIAGE BOLT (PRIOR TO S/N 3,849)
12	11-125102-000	HEX NUT	55	12-300107-003	CARRIAGE BOLT (AFTER S/N 3,850)
13	11-125109-000	HEX NUT	56	12-300108-000	ARM & BRG. ASSY (PRIOR TO S/N 95,223)
14	11-125202-000	HEX JAM NUT	57	12-300109-000	SHAFT
15	11-155401-000	SPLINE NUT	58	12-300110-000	PIT SUBMOUNTING PLATE
16	11-170009-000	LOCKNUT	59	12-300131-000	FRAME ASSY
17	11-170012-000	LOCKNUT	60	12-300141-000	VIBRATOR SHAFT
18	11-170013-000	LOCKNUT	61	12-300147-000	WASHER
19	11-170016-000	LOCKNUT	62	12-300148-000	SPACER (AFTER S/N 27,000)
20	11-170114-000	LOCKNUT	63	12-300149-000	PULLEY SHAFT
21	11-176001-000	KEP NUT	64	12-300160-000	PIT BEARING ASSY
22	11-190006-000	PLAIN WASHER	65	12-300160-003	INSERT BEARING
23	11-190012-000	PLAIN WASHER	66	12-300163-000	JOGGER ARM
24	11-190014-000	PLAIN WASHER	67	12-300168-000	CLAMP ASSY-RH
25	11-190016-000	PLAIN WASHER	68	12-300169-000	CLAMP ASSY-LH
26	11-190018-000	PLAIN WASHER	69	12-300170-000	SPRING GUIDE
27	11-191018-000	FLAT WASHER (AS REQ'D)	70	12-300172-000	COMPRESSION SPRING
28	11-191024-000	FLAT WASHER	71	12-300178-000	PIVOT
29	11-195010-000	LOCKWASHER	72	12-300189-000	STEP WASHER
30	11-195015-000	LOCKWASHER	73	12-300192-000	LEVER & BRACKET-RH
31	11-195018-000	LOCKWASHER	74	12-300193-000	LEVER & BRACKET-LH
32	11-196012-000	HI-COLLAR LOCKWASHER	75	12-300194-000	JOGGER ARM ASSY
33	11-198009-000	EXT. TOOTH LOCKWASHER	76	12-300203-000	PULLEY ARM (AFTER S/N 95,224)
34	11-345160-001	ROLL PIN	77	12-300221-000	CHANNEL ASSY
35	11-345258-000	ROLL PIN	78	12-300224-000	PIVOT POST
36	11-345318-000	ROLL PIN	79	12-400286-000	TENSION SPRING
37	11-345573-000	ROLL PIN	80	12-860620-004	WOOD PIT BOARD ASSY
38	11-353208-001	DRIVE PIN	81	12-860624-000	QUICK RELEASE KIT
39	11-420054-000	BEARING (PRIOR TO S/N 23,999 1 REQ'D)	82	12-860641-000	ARM SHAFT ASSY(PRIOR TO S/N 27,000)
40	11-421058-000	OILITE BEARING (2 REQ'D)	83	12-860659-000	PIT FRAME ASSY
41	11-430007-000	BEARING	84	90-300076-000	FRONT PIT MOUNT
42	11-450001-000	ROLLER BEARING	85	90-300077-000	REAR PIT MOUNT (NOT SHOWN)
43	11-450201-000	INNER RING			

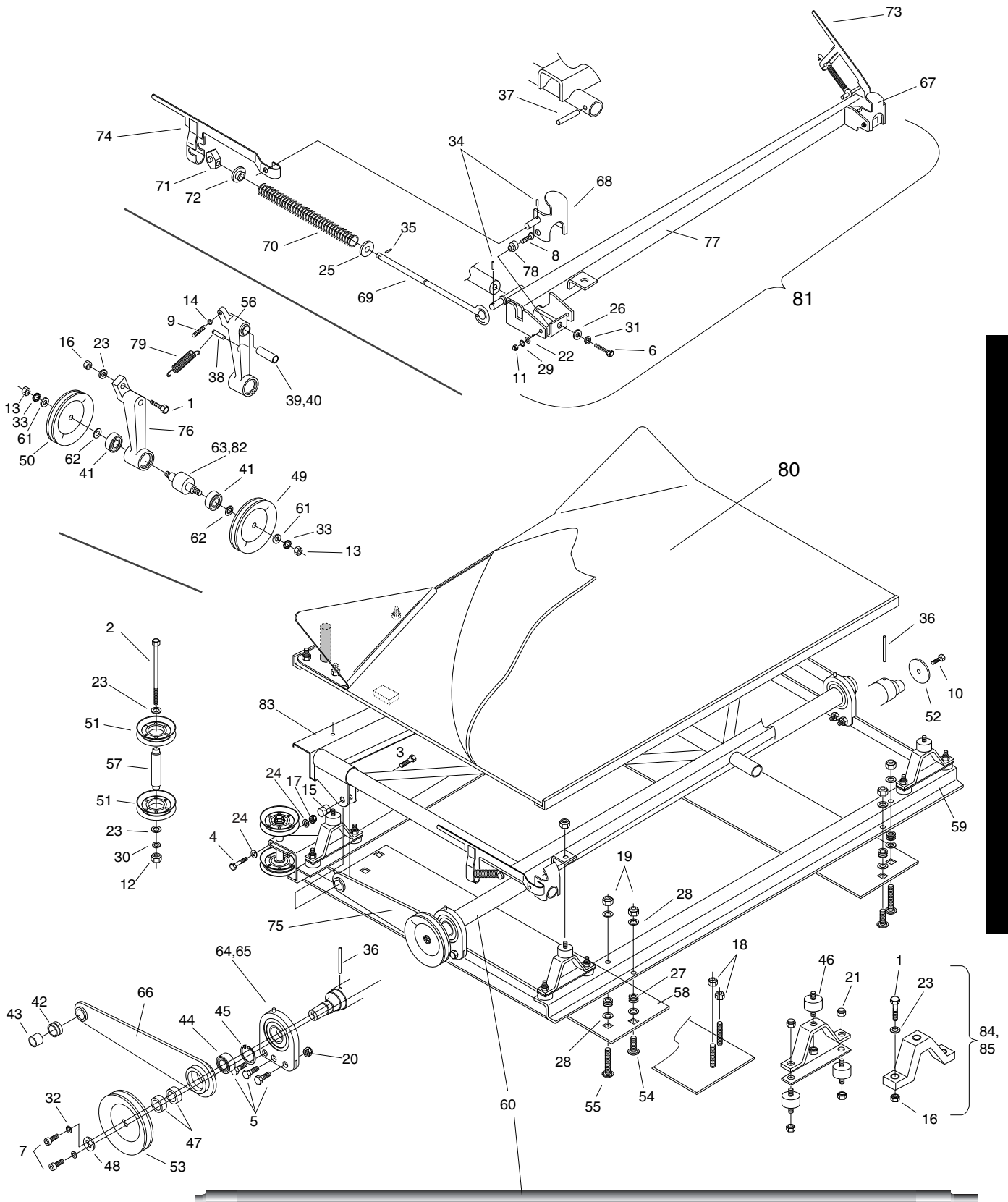
KIT AVAILABLE:

12-862937-000 PIT CONVEYOR TUNE-UP KIT



Call 631-582-5450 in NY or Fax 631-582-5875. Outside the NY area, 1-800-366-4JCP.

PIT CONVEYOR ASSEMBLY



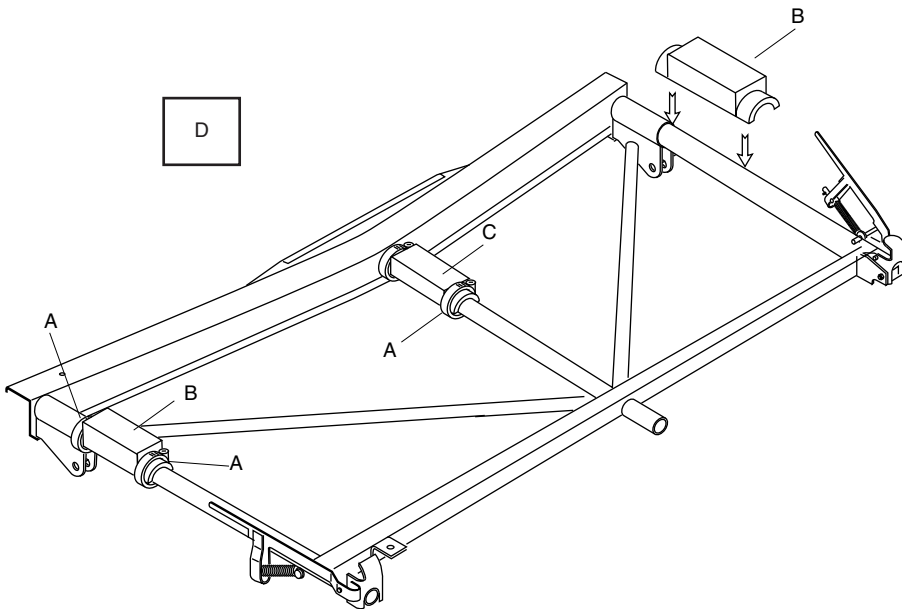
Call 631-582-5450 in NY or Fax 631-582-5875. Outside the NY area, 1-800-366-4JCP.



PIT CONVEYOR ASSEMBLY

ITEM	PART NUMBER	DESCRIPTION	ITEM	PART NUMBER	DESCRIPTION
1	11-090002-000	SCREW NAIL 7/8" (AS REQ'D)	10	12-300180-000	RUBBER BLOCK
2	11-170009-000	LOCKNUT	11	12-300205-002	RUBBER BLOCK
3	11-190012-000	PLAIN WASHER	12	12-300207-000	DEFLECTOR-LH
4	11-676047-000	CEMENT, 1GAL. (NOT SHOWN)	13	12-300208-000	DEFLECTOR-RH
5	12-300093-004	ELEVATOR BOLT	14	12-860620-004	WOOD PIT BOARD ASSY
6	12-300103-000	"JCP" PIT CARPET	15	12-860620-005	WOOD PIT BOARD
7	12-300146-002	46" L-SHAPED RUBBER	16	12-862919-000	CARPET COVER, HEAVY DUTY
8	12-300146-004	17" L-SHAPED RUBBER	17*	12-860620-002	FIBERGLASS PIT BOARD
9	12-300162-000	IMPACT CUSHION	18*	12-860620-003	FIBERGLASS PIT BOARD ASSY

* NOT SHOWN



ITEM	PART NUMBER	DESCRIPTION
A	11-603201-000	HOSE CLAMP
B	12-300205-006	BUMPER TALL, END
C	12-300205-007	BUMPER SHORT, MIDDLE
D	12-862205-000	BUMPER W/ HOSE CLAMPS (KIT)

