

TURRET ASSEMBLY QUICK REFERENCE

NEW

**HEAVY
GAUGE
CONSTRUCTION**



12-150108-000
CENTER CHUTE



12-150200-000
LATCH ASSY



12-150040-000
TURRET RING



12-150176-000
LATCH ASSY



12-150187-000
BOTTOM PROTECTOR



12-150086-000
TURRET PROBE ASSY



12-150294-000
PIN GUIDE
#2,3,4,6,8,9

12-150295-000
PIN GUIDE
#1,7,10



12-150214-000
LEVER ASSY



12-150234-000
LINK ASSY



12-150220-000
TURRET TOP PULLEY



12-150011-000
LATCH ASSY



12-150306-000
1 PIECE PULLEY
CENTER HUB



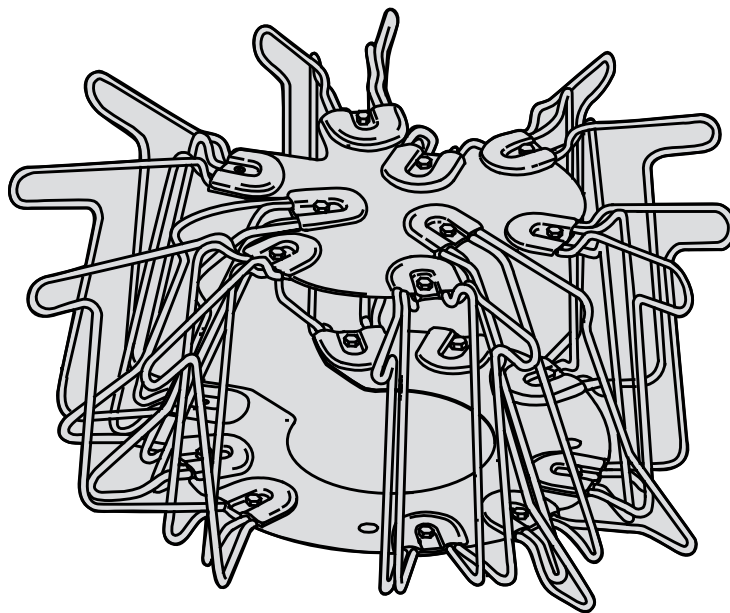
12-150258-000
SLEEVE & PLATE ASSY

TURRET ASSEMBLY



Call 631-582-5450 in NY or Fax 631-582-5875. Outside the NY area, 1-800-366-4JCP.

Section 3 Turret Assembly



TURRET ASSEMBLY

TURRET ASSEMBLY

ITEM	PART NUMBER	DESCRIPTION	ITEM	PART NUMBER	DESCRIPTION
1	11-001343-000	HEX HD SCREW	21	12-150079-000	TRIP
2	11-002004-000	HEX HD SCREW	22	12-150086-000	TURRET PROBE ASSY
3	11-006185-000	SOBT HD SCREW	23	12-150096-000	TENSION SPRING
4	11-105160-000	SET SCREW (AFTER S/N 13,782)	24	12-150108-000	CENTER CHUTE
5	11-125100-000	HEX NUT	25	12-150109-000	FLANGE (REPAIR KIT)
6	11-170006-001	LOCKNUT	26	12-150158-015	X-WASHER PIN
7	11-190014-000	PLAIN WASHER	27	12-150237-000	INTERLOCK LINK
8	11-195010-000	LOCKWASHER	28	12-150264-000	STOP
9	11-195014-000	LOCKWASHER	29	12-150265-000	BUMPER
10	11-198007-001	EXT. TOOTH LOCKWASHER	30	12-150266-000	BRACKET
11	11-230001-001	X-WASHER	31	12-150267-000	SPACER
12	11-335257-000	COTTER PIN (PRIOR TO S/N 3,038)	32	12-150268-000	BOLT
13	11-345258-000	ROLL PIN (S/N 3,039 TO 13,782)	33	12-150269-000	BRACKET
14	11-420046-000	BEARING	34	12-150283-000	TURRET SPOON (LONG)
15	11-421026-000	BEARING	35	12-150284-000	TURRET SPOON (SHORT)
16	11-421045-000	BEARING	36	12-150299-000	PIN
17	11-480001-000	CAM FOLLOWER	37	12-150304-002	CAP SCREW
18	12-150023-008	PIN	38	12-150304-003	HEX HD SCREW
19	12-150049-000	PIN RELEASE LEVER ASSY	39	12-862874-000	TURRET RING & BEARING ASSY
20	12-150066-000	TURRET RELEASE CAM			

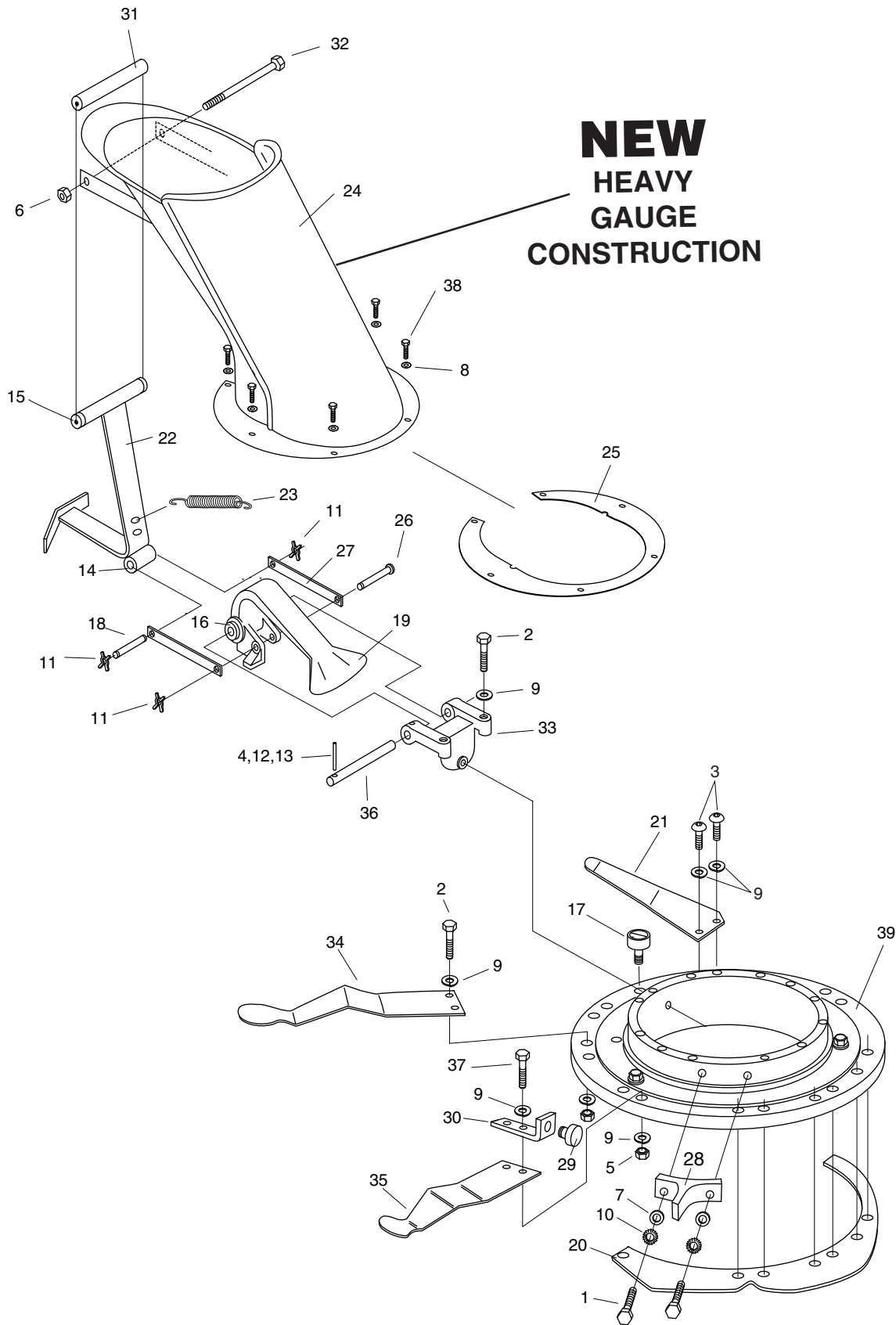
KIT AVAILABLE:

12-862936-000 TURRET TUNE-UP KIT



Call 631-582-5450 in NY or Fax 631-582-5875. Outside the NY area, 1-800-366-4JCP.

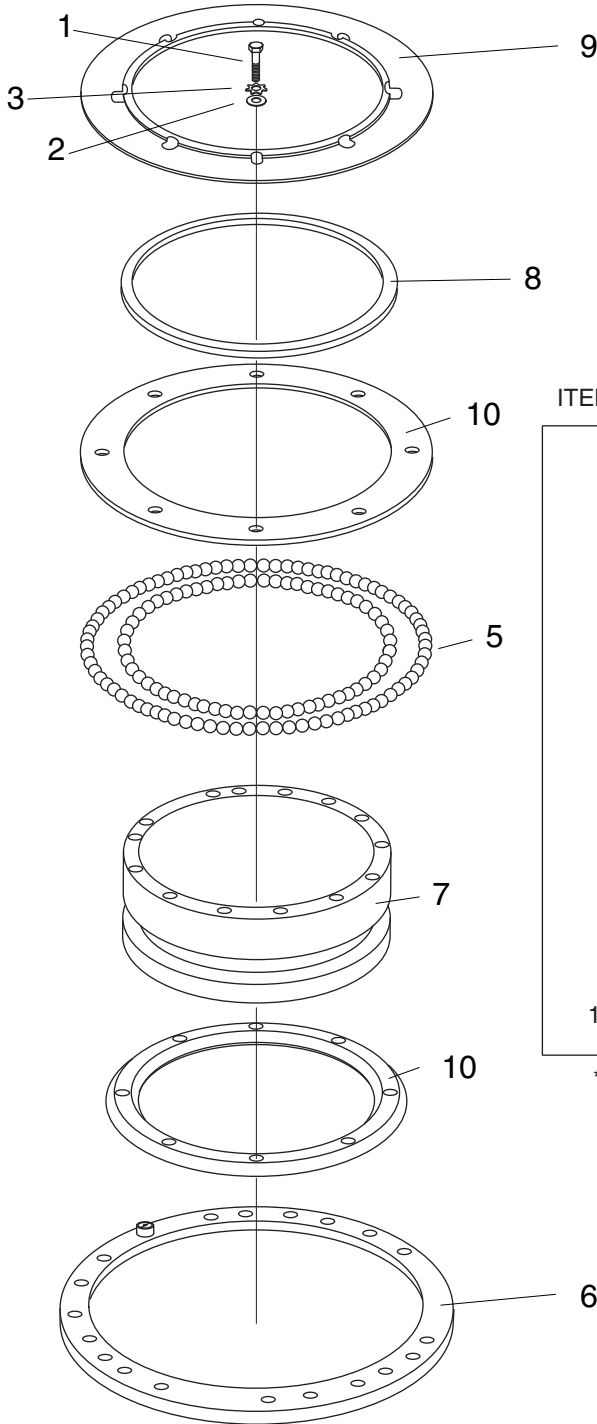
TURRET ASSEMBLY



TURRET ASSEMBLY

TURRET ASSEMBLY

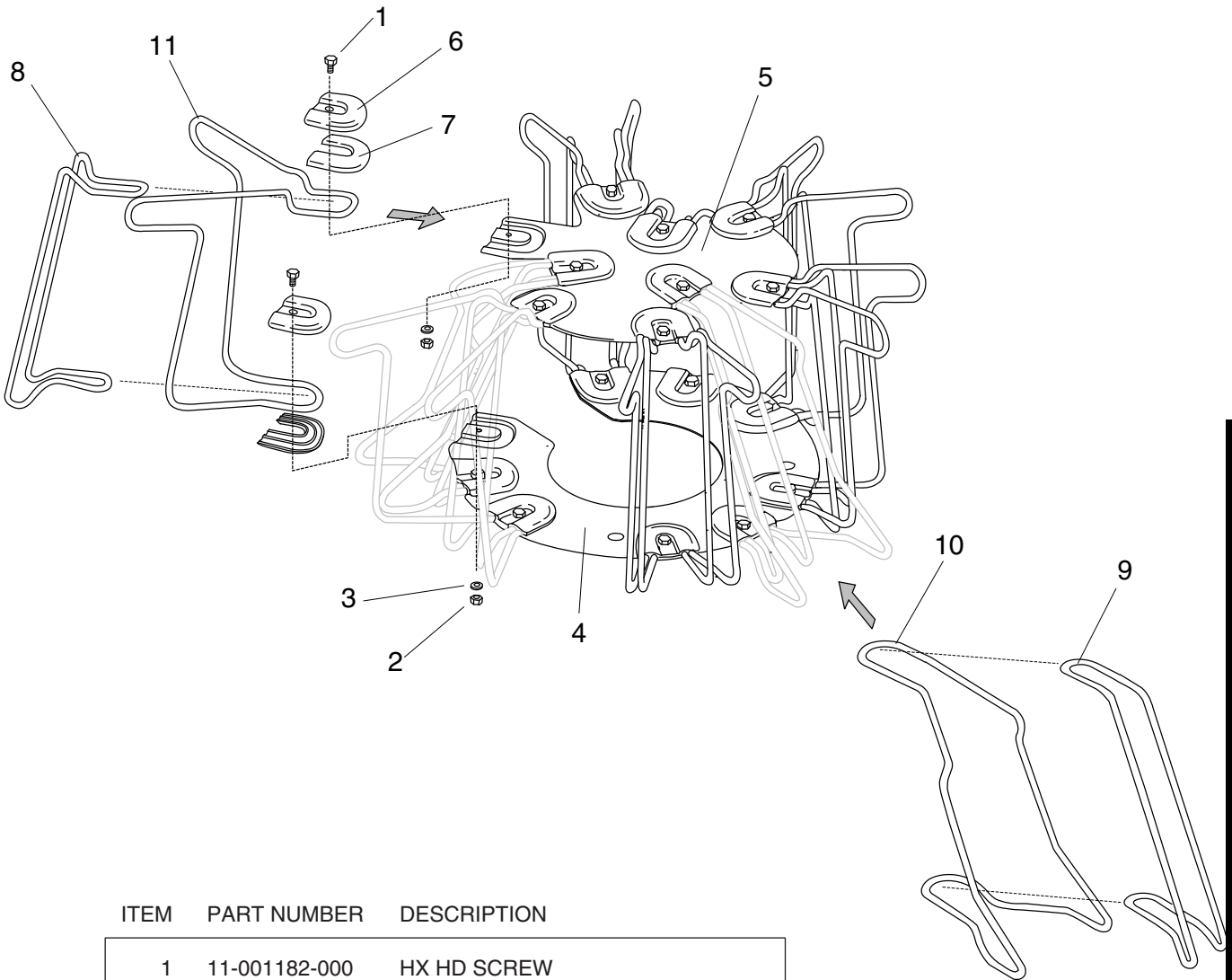
TURRET ASSEMBLY



ITEM	PART NUMBER	DESCRIPTION
1	11-002001-000	HEX HD SCREW
2	11-190010-000	PLAIN WASHER
3	11-198005-000	EXT. TOOTH LOCKWASHER
4	11-480001-000	CAM FOLLOWER
5	11-575093-000	BALL 3/8
6	12-150039-000	SPIDER RING
7	12-150040-000	TURRET RING
8	12-150115-000	SEAL
9	12-150116-000	SEAL RETAINER
10*	12-860581-000	BEARING RING SET

*NOTE: Item #10 is sold as a set.





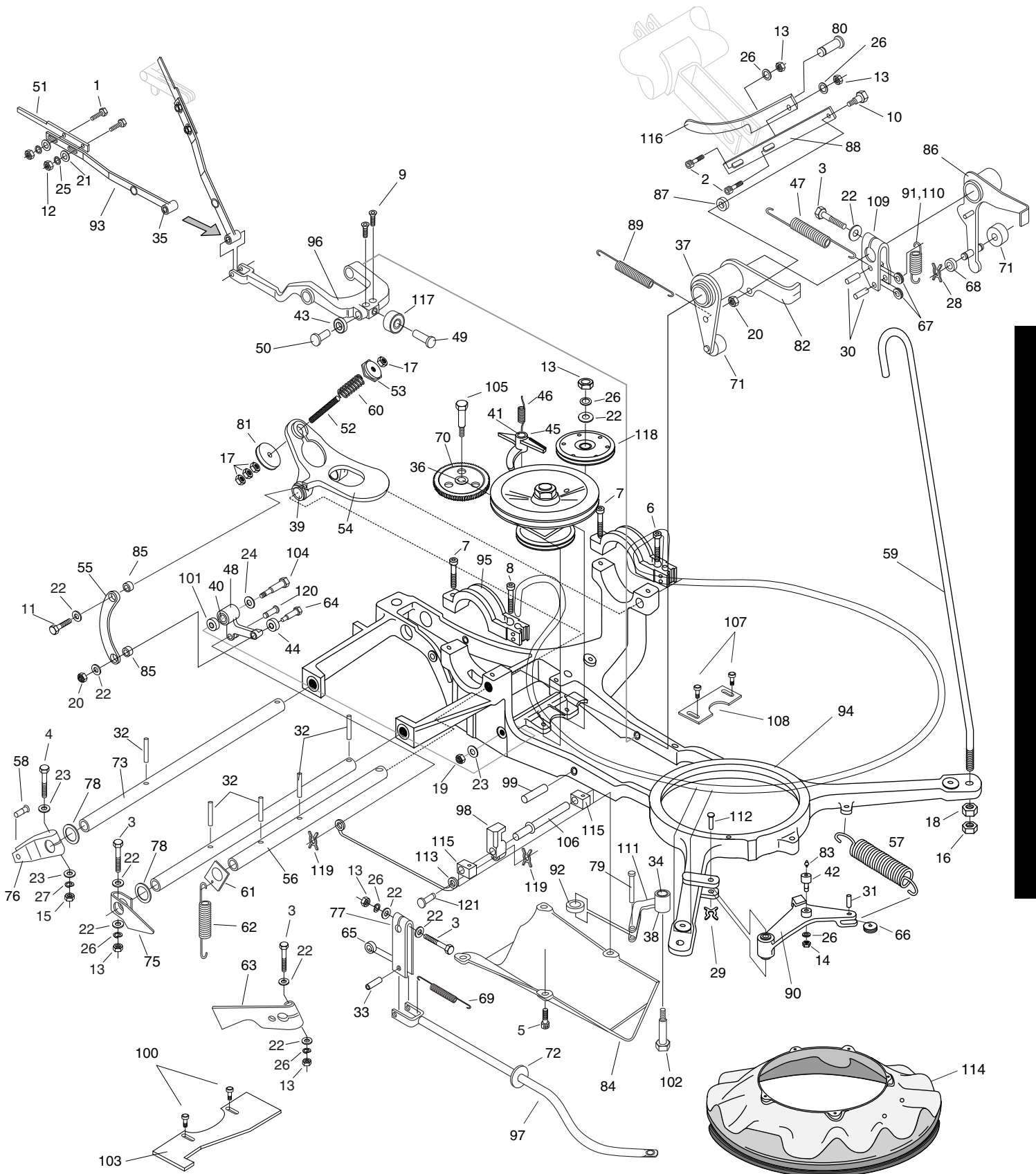
ITEM	PART NUMBER	DESCRIPTION
1	11-001182-000	HX HD SCREW
2	11-125100-000	HEX NUT
3	11-195014-000	LOCKWASHER
4	12-150106-000	CLAMP PLATE-LOWER
5	12-150107-000	CLAMP PLATE-UPPER
6	12-150181-000	PIN GUIDE CLAMP
7	12-150182-000	PIN GUIDE CUSHION
8	12-150294-000	PIN GUIDE #2,3,4,6,8,9
9	12-150295-000	PIN GUIDE #1,7,10
10	12-150296-000	OUTSIDE PIN GUIDE #1,7,10
11	12-150297-000	OUTSIDE PIN GUIDE #2,3,4,6,8,9

TURRET ASSEMBLY

TURRET ASSEMBLY

ITEM	PART NUMBER	DESCRIPTION	ITEM	PART NUMBER	DESCRIPTION
1	11-001062-000	MACH SCREW HX HD	62	12-150090-000	TENSION SPRING
2	11-001183-000	HEX HD SCREW	63	12-150111-000	LATCH
3	11-001190-000	HEX HD SCREW	64	12-150120-000	STUD
4	11-001270-000	HEX HD SCREW	65	12-150125-000	ROLLER
5	11-005178-000	SOC HD CAP SCREW	66	12-150130-002	SPRING WHEEL
6	11-005354-000	SOC HD CAP SCREW	67	12-150130-005	SPRING WHEEL
7	11-005356-000	SOC HD CAP SCREW	68	12-150130-006	SPRING WHEEL
8	11-005360-001	SOC HD CAP SCREW	69	12-150132-000	TENSION SPRING
9	11-007090-000	SOFL HD SCREW	70	12-150138-000	TURRET DELAY GEAR ASSY
10	11-106525-000	STRIPPER BOLT	71	12-150142-002	TURRET FINGER ROLLER
11	11-110130-001	HEX HD SCREW	72	12-150142-003	LINK BUMPER
12	11-125004-000	HEX NUT	73	12-150143-002	INTERLOCK SHAFT
13	11-125100-000	HEX NUT	74	12-150143-003	INTERLOCK SHAFT
14	11-125101-000	HEX NUT	75	12-150144-000	LEVER
15	11-125102-000	HEX NUT	76	12-150145-000	LEVER
16	11-125106-000	HEX NUT	77	12-150147-000	LEVER ASSY
17	11-125204-000	JAM NUT RH	78	12-150157-003	WASHER
18	11-125206-000	JAM NUT RH	79	12-150158-006	X-WASHER PIN
19	11-170010-000	LOCKNUT	80	12-150158-014	X-WASHER PIN
20	11-170106-000	FLEX LOCKNUT	81	12-150168-000	STOP WASHER ASSY
21	11-190006-000	PLAIN WASHER	82	12-150176-000	LATCH ASSY
22	11-190010-000	PLAIN WASHER	83	12-150183-000	ALEMITE FITTING
23	11-190012-000	PLAIN WASHER	84	12-150187-000	BOTTOM PROTECTOR
24	11-190014-000	PLAIN WASHER	85	12-150190-000	TRIP LEVER LINK BRG.
25	11-195010-000	LOCKWASHER	86	12-150200-000	LATCH ASSY
26	11-195014-000	LOCKWASHER	87	12-150209-002	SPACER
27	11-195015-000	LOCKWASHER	88	12-150210-000	RESTRICTED DROP LINK
28	11-230001-001	X-WASHER	89	12-150213-000	SPRING
29	11-230003-001	X-WASHER	90	12-150214-000	LEVER ASSY
30	11-345304-000	ROLL PIN	91	12-150215-000	SPRING
31	11-345408-000	ROLL PIN	92	12-150226-000	ROLLER & BEARING
32	11-360466-000	SPIROL PIN	93	12-150227-000	LINKAGE ASSY
33	11-420000-000	BRONZE BEARING	94	12-150228-000	TURRET FRAME
34	11-420043-000	BRONZE BEARING	95	12-150229-000	CAP
35	11-420048-000	BRONZE BEARING	96	12-150231-000	TURRET STOP LEVER
36	11-421035-000	FLANGED BEARING	97	12-150234-000	LINK ASSY
37	11-421038-000	FLANGED BEARING	98	12-150235-000	LATCH
38	11-421039-000	FLANGED BEARING	99	12-150236-000	PIN
39	11-421047-000	FLANGED BEARING	100	12-150242-000	SLIDE
40	11-421048-000	FLANGED BEARING	101	12-150245-000	SPACER
41	11-421065-000	FLANGED BEARING	102	12-150247-000	STUD
42	11-480001-000	CAM FOLLOWER	103	12-150248-000	BRACKET
43	11-500001-000	BEARING	104	12-150252-000	SHOULDER SCREW
44	11-500006-000	BEARING	105	12-150254-000	STUD
45	12-150011-000	LATCH ASSY	106	12-150259-000	SHAFT
46	12-150012-000	TORSION SPRING	107	12-150260-000	SLIDE
47	12-150025-000	TENSION SPRING	108	12-150261-000	PLATE
48	12-150051-000	BELL CRANK	109	12-150271-000	LEVER ASSY
49	12-150056-002	ROLLER STUD	110	12-150272-000	TENSION SPRING
50	12-150056-003	ROLLER STUD	111	12-150279-000	LEVER ASSY
51	12-150057-003	STRAP	112	12-150281-000	PIVOT PIN
52	12-150062-000	STUD	113	12-150289-000	LINK
53	12-150063-000	SPRING SEAT ASSY	114	12-150290-000	INDEXING PULLEY
54	12-150064-000	TRIP LEVER ASSY	115	12-150293-000	CLAMP SHAFT
55	12-150065-000	LINK	116	12-150298-000	RESTRICTED DROP LINK
56	12-150069-000	TRIP LEVER SHAFT	117	12-150303-000	ROLLER
57	12-150070-000	SPRING	118	12-400219-000	IDLER PULLEY
58	12-150071-000	PIN	119	11-230000-001	X-WASHER
59	12-150085-000	SUPPORT ROD	120	12-150158-013	X-WASHER PIN
60	12-150087-000	SPRING	121	12-150158-007	X-WASHER PIN
61	12-150088-000	SPRING HOOK			

TURRET ASSEMBLY



TURRET ASSEMBLY

Call 631-582-5450 in NY or Fax 631-582-5875. Outside the NY area, 1-800-366-4JCP.



TURRET ASSEMBLY

30

TURRET ASSEMBLY

ITEM	PART NUMBER	DESCRIPTION	ITEM	PART NUMBER	DESCRIPTION
1	11-125265-001	HEX JAM NUT-LH	19**	12-1501J	TURRET CLUTCH ASSY
2	11-170010-000	LOCKNUT	20	12-150216-000	TURRET DRIVE SHAFT
3	11-170109-000	LOCKNUT THIN	21	12-150217-000	SPACER
4	11-300001-001	RIVET	22***	12-150219-000	TURRET PULLEY-OFFSET HUB
5	11-345154-000	ROLL PIN	23	12-150220-000	TURRET TOP PULLEY
6	11-345161-000	ROLL PIN	24	12-150222-000	COMPRESSION SPRING
7	11-360365-000	SPIROL PIN	25	12-150253-000	POST
8	11-421035-000	OILITE BEARING	26	12-150254-000	STUD
9	11-421065-000	OILITE BEARING	27	12-150258-000	SLEEVE & PLATE ASSY
10	11-431006-000	BEARING	28	12-150305-000	NYLON TURRET CLUTCH FACING (EACH)
11	11-431010-000	BEARING	29	12-150306-000	1 PIECE PULLEY CENTER HUB (AFTER S/N 61,195)
12	12-100162-000	BALL VALVE	30	12-150307-000	SPACER (REQ'D WITH ITEM 20 IF 2 PIECE PULLEY)
13	12-150004-000	SPRING GUIDE ASSY	31	12-860617-000	FRICTION DISC ASSY
14	12-150011-000	LATCH ASSY	32	12-860804-000	FRICTION DISC ASSY W/NYLON FACINGS
15	12-150012-000	TORSION SPRING	33	12-860805-000	NYLON FACING & RIVET KIT
16*	12-1500J	TURRET CLUTCH ASSY	34	12-862864-002	FACING & RIVET KIT
17	12-150138-000	TURRET DELAY GEAR ASSY			
18	12-150154-000	BEARING-OILITE			

* NOTE: Turret clutch assy with item # 22.

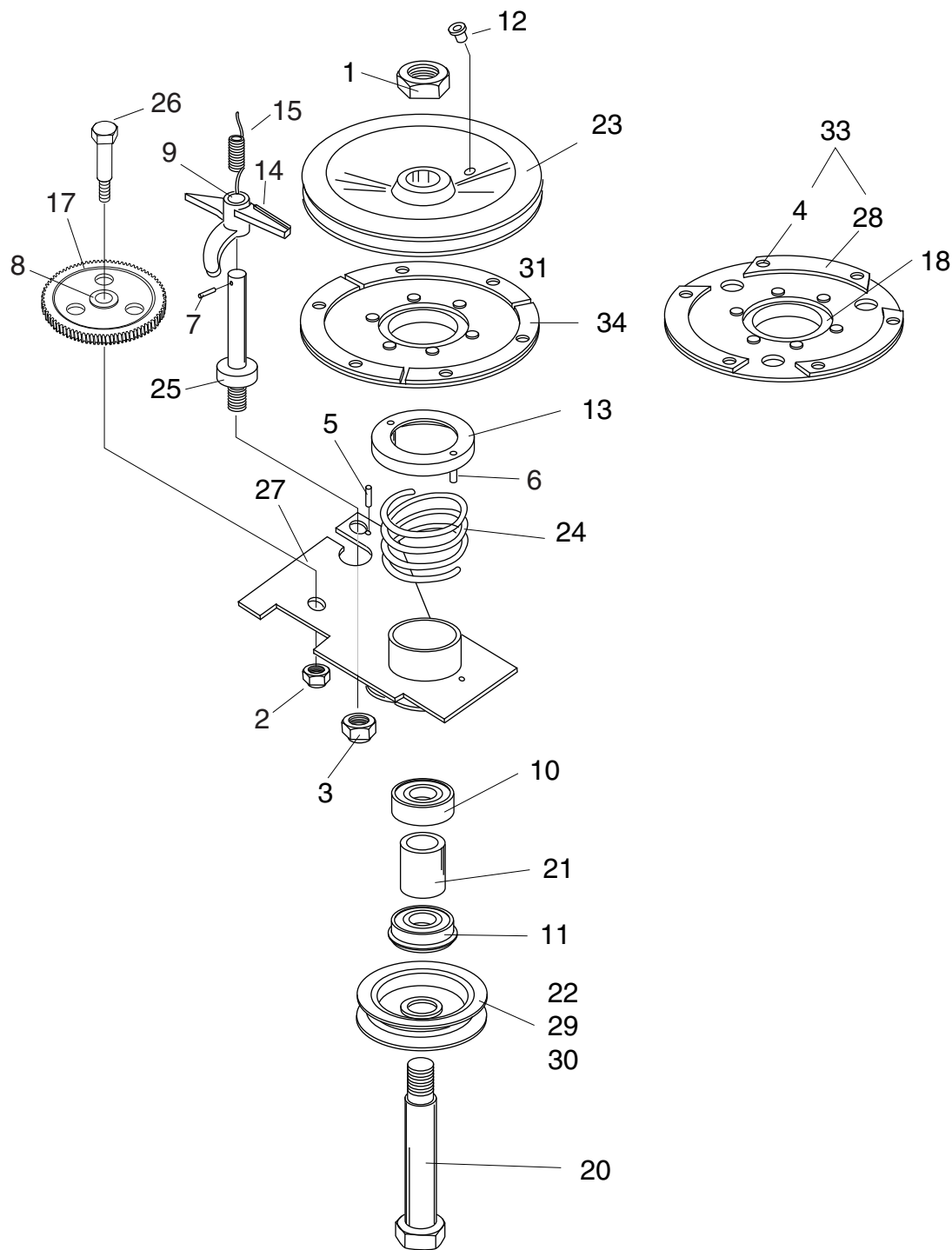
** NOTE: Turret clutch assy with item # 29.

*** NOTE: Prior to s/n 61,194.



Call 631-582-5450 in NY or Fax 631-582-5875. Outside the NY area, 1-800-366-4JCP.

TURRET ASSEMBLY



TURRET ASSEMBLY

*Complete assy's available. See items 16 & 19 for details.