

DETECTOR ASSEMBLY QUICK REFERENCE



12-100261-000
DETECTOR ROD ASSY



12-100410-000
HOOK SELECTOR



12-100238-051
LATCH & BEARING ASSY



12-100097-000
MOVING DECK &
SCISSOR LATCH



12-100175-000
LATCH



12-1041B
BEARING KIT
(HOOK SELECTOR)



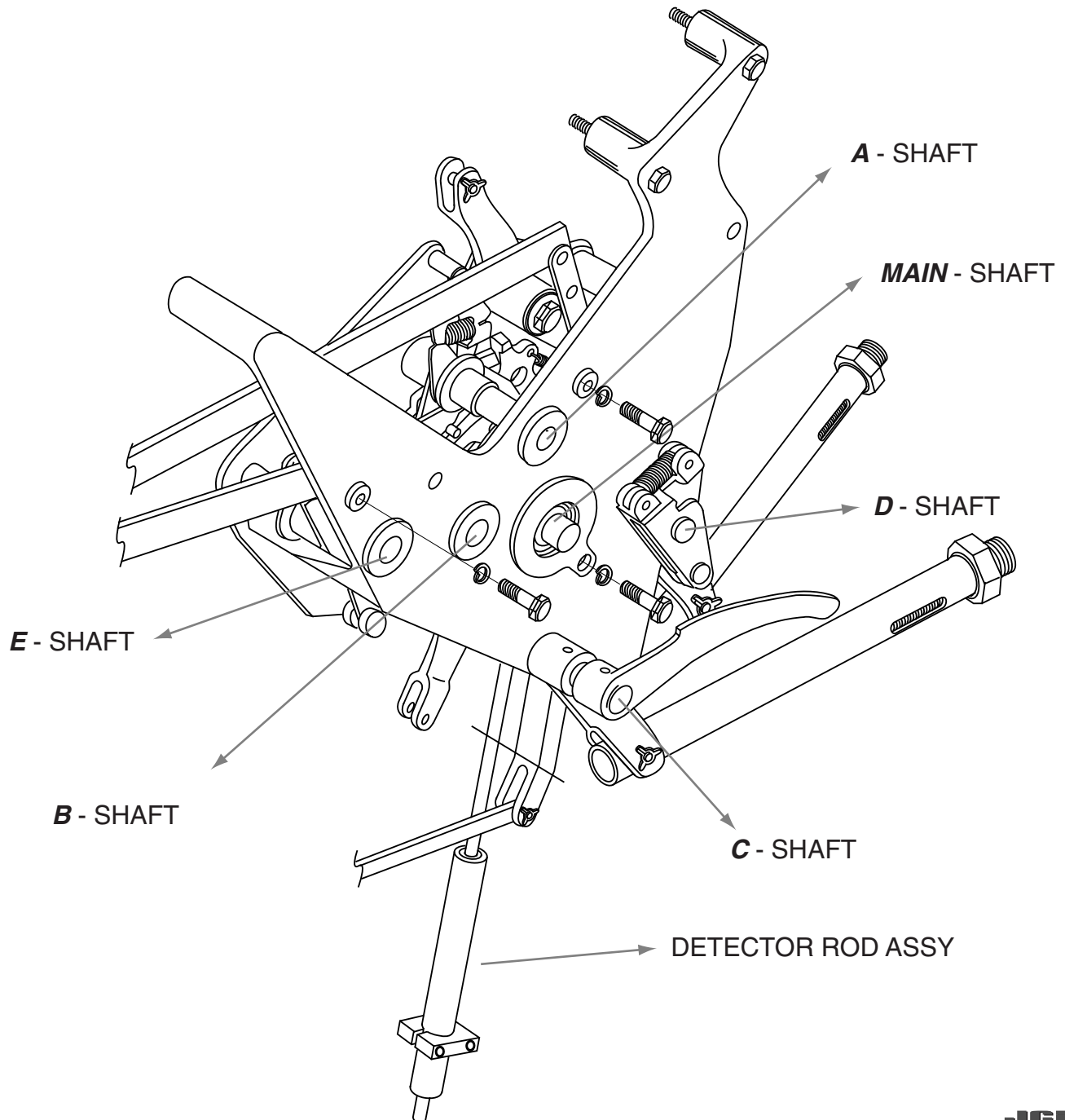
12-10111-000
CAM



12-100112-000
RAKE HOOK CAM ASSY

Section 2 Detector Assembly

12-860038-081 DETECTOR ASSY REBUILT "A"
12-862038-081 DETECTOR ASSY REBUILT "A-2"



DETECTOR ASSEMBLY

DETECTOR ASSEMBLY

16

DETECTOR ASSEMBLY

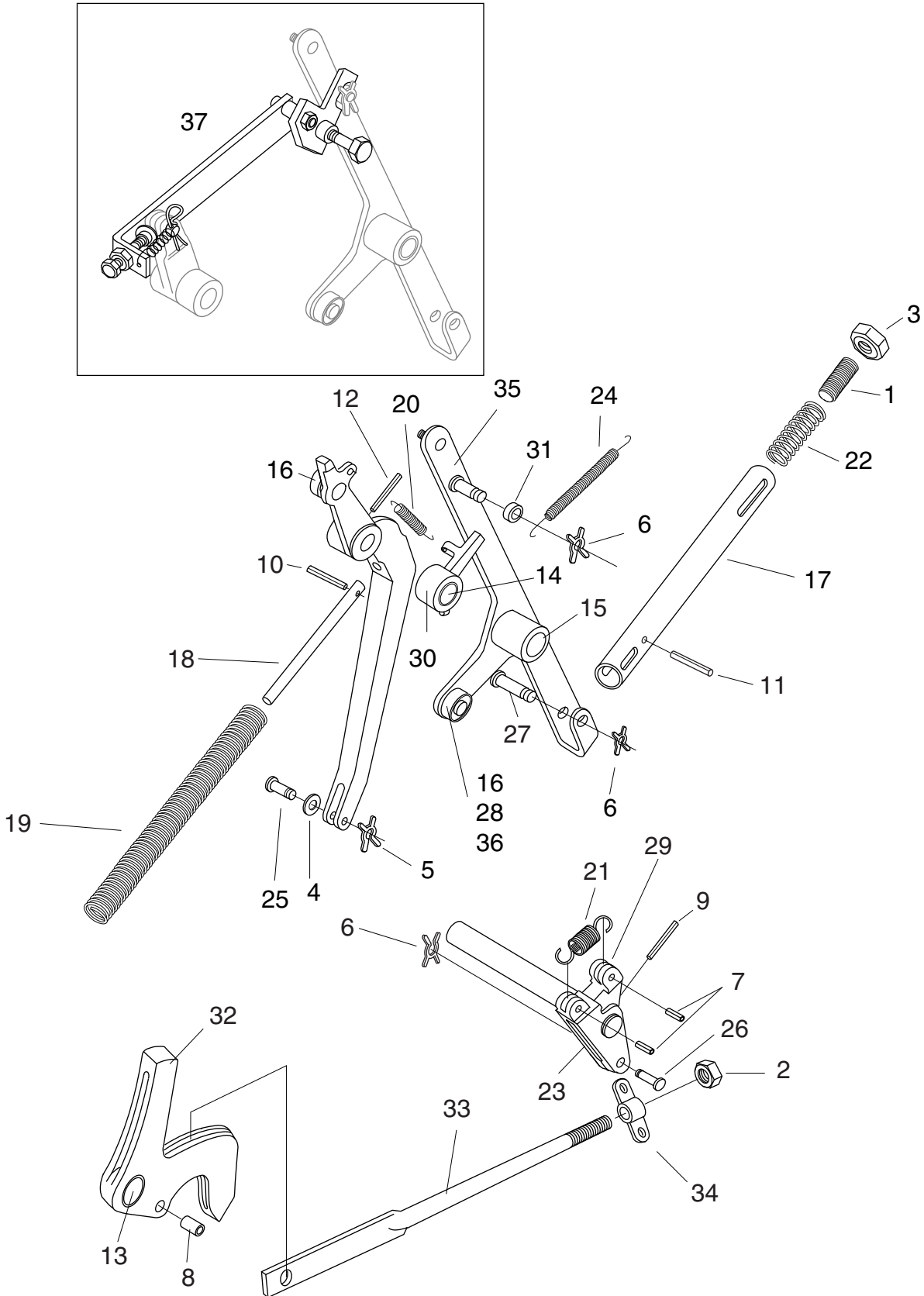
ITEM	PART NUMBER	DESCRIPTION	ITEM	PART NUMBER	DESCRIPTION
1	11-100915-000	SOC SET SCREW	19	12-100082-000	COMPRESSION SPRING
2	11-125203-000	HEX JAM NUT-RH	20	12-100083-000	TENSION SPRING
3	11-125213-000	HEX JAM NUT-RH	21	12-100086-000	TENSION SPRING
4	11-190006-000	PLAIN WASHER	22	12-100089-000	COMPRESSION SPRING
5	11-230000-001	X-WASHER	23	12-100097-000	MOVING DECK & SCISSOR LATCH
6	11-230001-001	X-WASHER	24	12-100156-000	TENSION SPRING
7	11-345304-000	ROLL PIN	25	12-100166-006	PIN
8	11-345404-000	ROLL PIN	26	12-100166-011	PIN
9	11-360264-000	SPIROL PIN	27	12-100166-014	PIN
10	11-360364-000	SPIROL PIN	28	12-100170-018	WASHER
11	11-360460-000	SPIROL PIN	29	12-100175-000	LATCH
12	11-360465-000	SPIROL PIN	30	12-100183-000	DECK HOOK LATCH ASSY
13	11-420018-000	BEARING-BRONZE	31	12-100185-019	SPACER
14	11-420041-000	BEARING-BRONZE	32	12-100238-051	LATCH & BEARING ASSY
15*	11-420065-000	BEARING	33	12-100353-000	LATCH LINK
16	11-436000-000	STUD BEARING	34	12-100354-000	ADJUSTING BLOCK
17	12-100054-000	DECK HOOK LINK	35	12-100410-000	HOOK SELECTOR
18	12-100077-000	SPRING GUIDE	36	12-1041B	FIELD FIX BEARING KIT (HOOK SELECTOR)
			37	12-1060	AUTOMATIC OUT-OF-RANGE ASSEMBLY

*NOTE: Prior to s/n 23,000 use p/n 11-420062-000.



Call 631-582-5450 in NY or Fax 631-582-5875. Outside the NY area, 1-800-366-4JCP.

DETECTOR ASSEMBLY



DETECTOR ASSEMBLY

Call 631-582-5450 in NY or Fax 631-582-5875. Outside the NY area, 1-800-366-4JCP.



DETECTOR ASSEMBLY

18

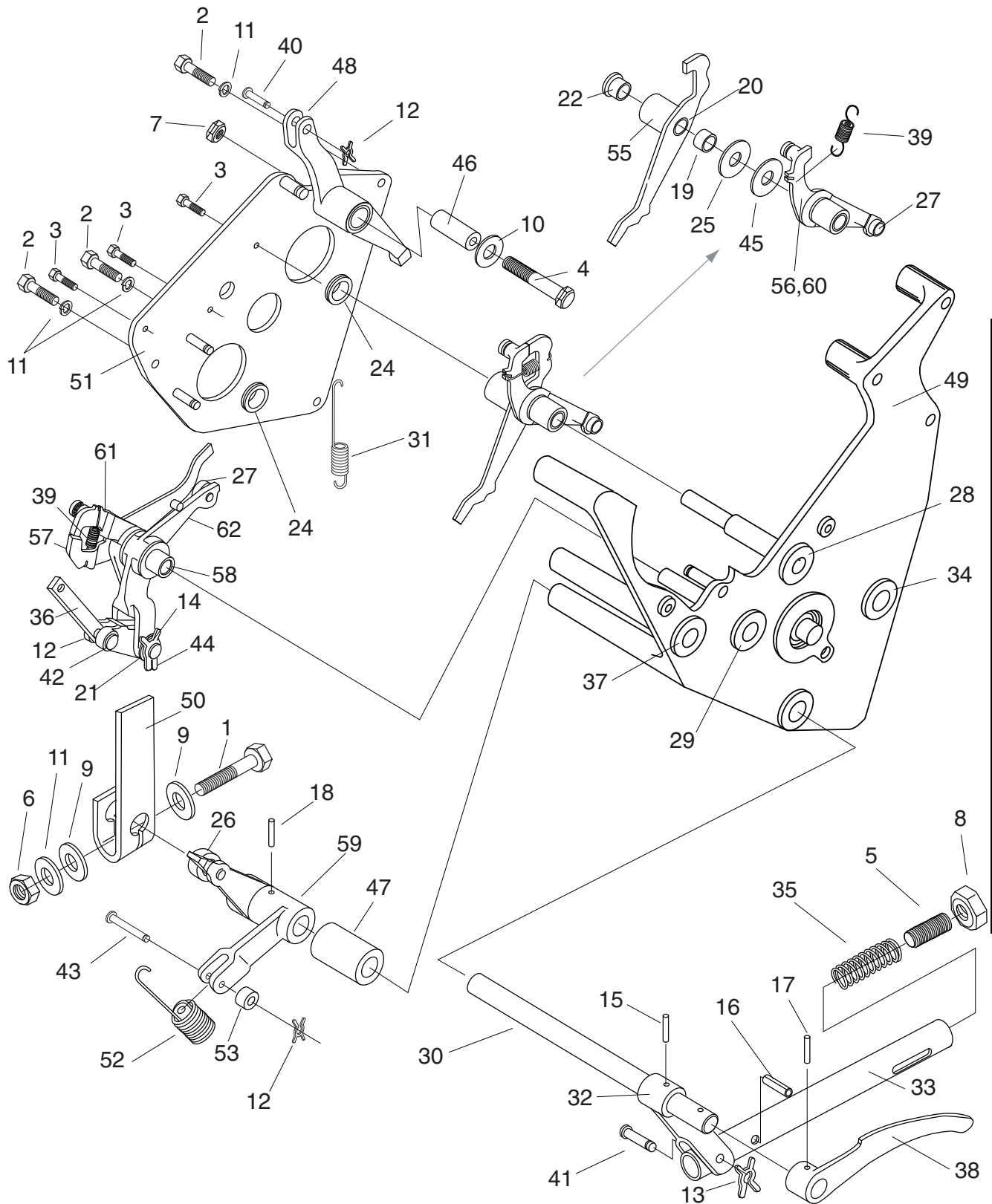
DETECTOR ASSEMBLY

ITEM	PART NUMBER	DESCRIPTION	ITEM	PART NUMBER	DESCRIPTION
1	11-001186-000	HEX HEAD SCREW	32	12-100019-000	LEVER
2	11-002004-000	HEX HEAD SCREW	33	12-100057-000	DECK HOOK LINK
3	11-015165-000	HEX HEAD SCREW	34	12-100070-000	DETECTOR SHAFT
4	11-015377-001	HEX HEAD SCREW	35	12-100087-000	COMPRESSION SPRING
5	11-100915-000	SET SCREW	36	12-100113-000	LINK
6	11-125100-000	HEX NUT	37	12-100116-000	SHAFT
7	11-125202-000	HEX JAM NUT	38	12-100155-000	SHOE
8	11-125213-000	HEX JAM NUT	39	12-100157-000	TENSION SPRING
9	11-190010-000	PLAIN WASHER	40	12-100166-006	PIN
10	11-190012-000	PLAIN WASHER	41	12-100166-014	PIN
11	11-195014-000	LOCKWASHER	42	12-100166-024	PIN
12	11-230000-001	X-WASHER	43	12-100166-026	PIN
13	11-230001-001	X-WASHER	44	12-100166-029	PIN
14	11-230002-001	X-WASHER	45	12-100170-009	WASHER
15	11-345312-000	ROLL PIN	46	12-100185-008	SPACER
16	11-360460-000	SPIROL PIN	47	12-100185-012	SPACER
17	11-360462-000	SPIROL PIN	48	12-100203-000	DECK HOOK LATCH ASSY
18	11-361315-000	SPIROL PIN	49	12-100205-000	DETECTOR MOUNT
19	11-420006-000	BEARING (PRIOR TO S/N 23,001)	50	12-100224-000	MICRO SWITCH LEVER
20	11-420064-000	BEARING (AFTER S/N 23,001)	51	12-100314-000	MOUNT PLATE ASSY
21	11-420068-000	OILITE BEARING	52	12-100350-000	LINK ASSY
22	11-421009-000	BEARING (PRIOR TO S/N 23,001)	53	12-100355-000	SPACER
23	11-421011-000	BEARING	54	12-100382-000	LATCH
24	11-421015-000	BEARING	55	12-100395-000	DETECTOR LATCH ASSY
25	11-422009-000	THRUST BEARING	56	12-100398-000	DETECTOR LATCH ASSY
26	11-436000-000	STUD BEARING	57	12-100404-000	DETECTOR LEVER ASSY
27	11-436002-000	STUD BEARING	58	12-100405-000	BEARING
28	12-100004-002	SHAFT	59	12-102108-000	DECK HOOK SELECTOR ASSY
29	12-100004-004	SHAFT	60	12-102398-000	DECK LEVER (AFTER S/N 90,000)
30	12-100014-000	SHAFT	61	12-102400-000	DETECTOR LEVER ASSY
31	12-100015-000	TENSION SPRING	62	12-102406-000	DETECTOR LEVER ASSY



Call 631-582-5450 in NY or Fax 631-582-5875. Outside the NY area, 1-800-366-4JCP.

DETECTOR ASSEMBLY



DETECTOR ASSEMBLY

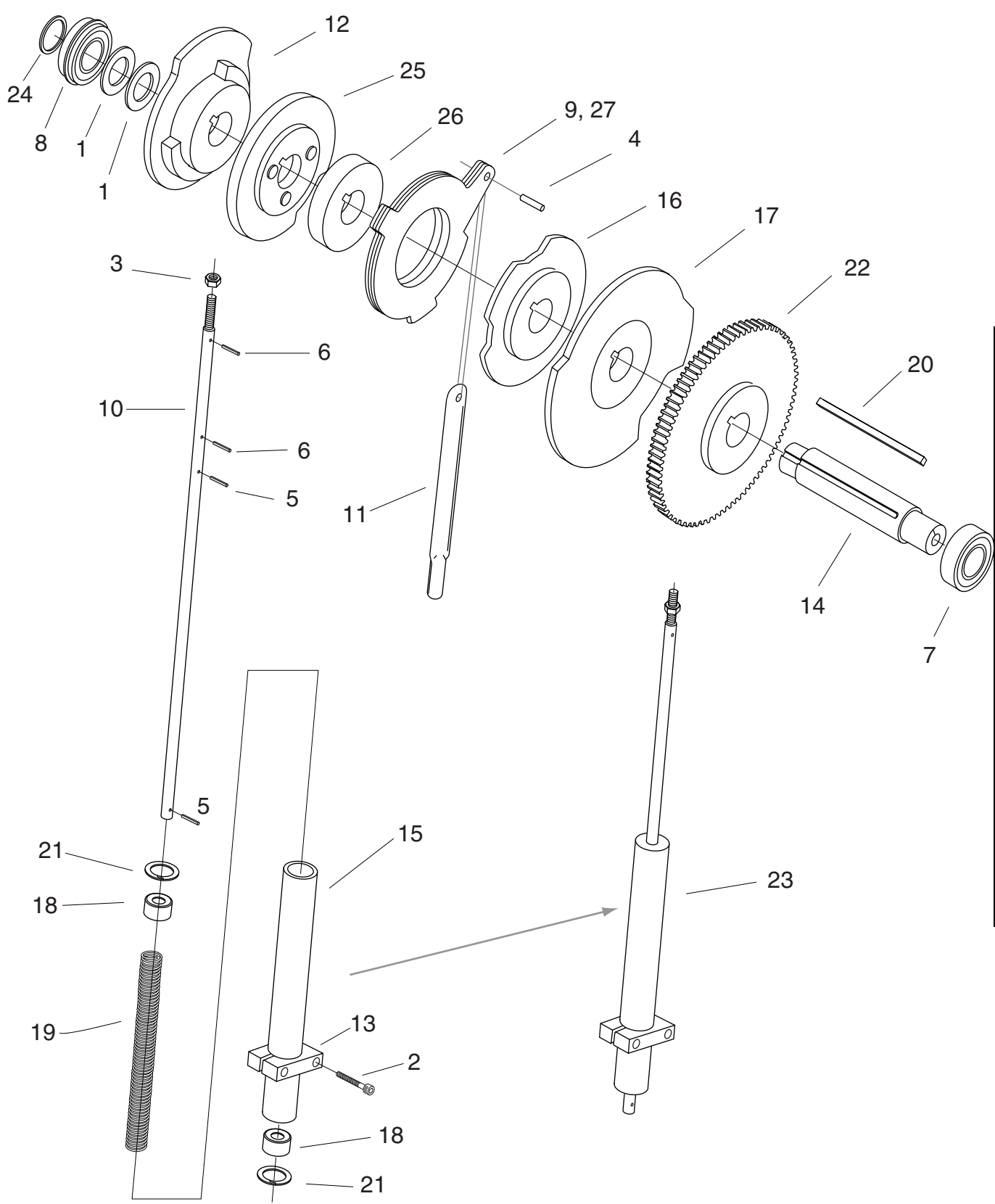
Call 631-582-5450 in NY or Fax 631-582-5875. Outside the NY area, 1-800-366-4JCP.



DETECTOR ASSEMBLY

ITEM	PART NUMBER	DESCRIPTION	ITEM	PART NUMBER	DESCRIPTION
1	10-191550-000	WASHER	15	12-100079-000	DETECTOR ROD GUIDE
2	11-005093-000	SOC. CAP SCREW	16	12-100111-000	CAM
3	11-125201-000	HEX JAM NUT-RH	17	12-100112-000	CAM
4	11-345302-000	ROLL PIN	18	12-100139-006	BEARING PLAIN
5	11-360257-000	SPIROL PIN	19	12-100167-000	SPRING
6	11-360258-000	SPIROL PIN	20	12-100187-011	SQUARE KEY
7	11-431002-000	BEARING	21	12-100196-000	RETAINING RING
8	11-431003-000	BEARING	22	12-100198-000	DETECTOR GEAR
9	12-100016-000	DETECTOR DISC	23	12-100261-000	DETECTOR ROD ASSY
10	12-100017-000	DETECTOR ROD	24	12-100416-002	SHIM
11	12-100018-000	DETECTOR ROD END	25	12-100501-000	CAM
12	12-100037-000	CAM	26	12-100502-000	SPACER
13	12-100052-000	PIVOT BLOCK	27	12-102380-000	DETECTOR DISC
14	12-100070-000	DETECTOR SHAFT			

DETECTOR ASSEMBLY



DETECTOR ASSEMBLY

Call 631-582-5450 in NY or Fax 631-582-5875. Outside the NY area, 1-800-366-4JCP.

