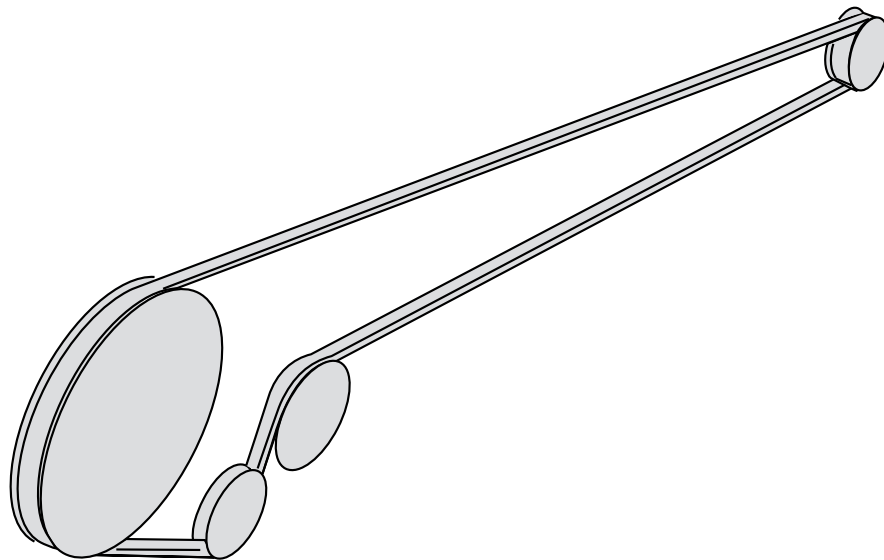


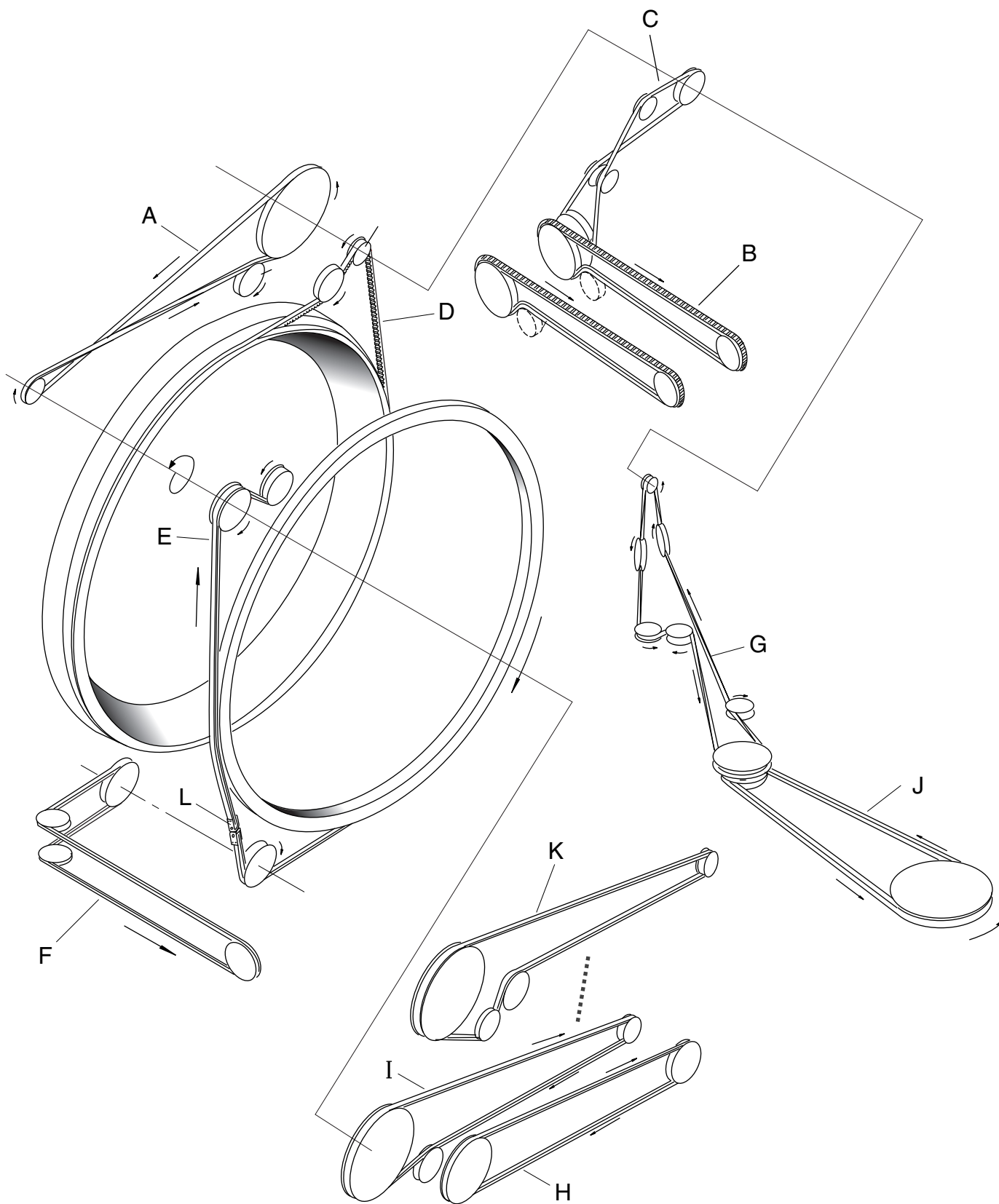
Section 13 Belt Assembly



BELT ASSEMBLY

BELT ASSEMBLY

ITEM	PART NUMBER	DESCRIPTION
A	12-400034-004	JACK SHAFT CROSS DRIVE BELT
B	12-450037-000	CROSS CONVEYOR (COGGED BELT) 2 REQ'D. REPLACE IN PAIRS.
C	10-635309-000	CROSS CONVEYOR DRIVE (V-BELT)
	12-400034-007	CROSS CONVEYOR DRIVE (ROUND BELT)
D	12-400034-005	PIN WHEEL BELT
E	12-400227-000	BALL WHEEL BELT (ENDLESS)
	12-400279-000	BALL WHEEL BELT (SPICED)
	27-8370	BALL WHEEL BELT W/CLIP (SPICED, GREEN)
F	12-300082-003	PIT CONVEYOR DRIVE
G	12-400223-000	LONG TURRET DRIVE BELT
	12-400314-000	LONG TURRET DRIVE BELT (USED WITH BEVEL GEAR)
H	10-635304-000	MOTOR TO GEARBOX A-2
	10-635305-000	MOTOR TO GEARBOX A-2 (50HZ)
	10-635319-000	MOTOR TO GEARBOX A-2 (1.5"SHORTER)
	10-635320-000	MOTOR TO GEARBOX A-2 (27-1 GEARBOX)
	10-635321-000	MOTOR TO GEARBOX A & JB (27-1 GEARBOX)
	10-635323-000	MOTOR TO GEARBOX A & JB
	10-635324-000	MOTOR TO GEARBOX JB (2.5"LONGER)
	10-635326-000	MOTOR TO GEARBOX A-2 (2.5"LONGER)
	10-635331-000	MOTOR TO GEARBOX A (1.5"SHORTER)
	12-400034-002	MOTOR TO GEARBOX A
	12-400329-000	MOTOR TO GEARBOX JB
I	10-635303-000	MOTOR TO ELEVATOR A-2
	10-635306-000	MOTOR TO ELEVATOR A-2 (50HZ)
	10-635327-000	MOTOR TO ELEVATOR A & JB (1.5"SHORTER)
	10-635328-000	MOTOR TO ELEVATOR A & JB (1.5"LONGER)
	10-635329-000	MOTOR TO ELEVATOR A-2 (1.5"SHORTER)
	10-635330-000	MOTOR TO ELEVATOR A-2 1.5"LONGER)
	12-400034-003	MOTOR TO ELEVATOR A & JB
J	12-150113-600	SHORT TURRET DRIVE (48-1/2")
	12-150121-000	SHORT TURRET DRIVE (48")
K	10-635315-000	MOTOR TO ELEVATOR A-2 (USED WITH P/N 12-862162-000 TENSION CONV. KIT)
L	12-400279-1	V-BELT FASTENERS (EACH)
	702-600-004	BELT CLIP (FOR USE WITH P/N 27-8370)



BELT ASSEMBLY