

# ELECTRICAL COMPONENTS QUICK REFERENCE

100



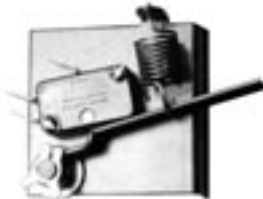
12-862111-000  
CONTACTOR 120V

**NEW**

**"ADJUSTABLE"**  
TIME DELAY MODULE



12-862890-000  
**"ADJUSTABLE"**  
TIME DELAY MODULE



12-752014-000  
SWITCH ASSY



12-700102-000  
SWITCH ASSY



12-862164-000  
TRANSFORMER



12-750079-000  
RECTIFIER



12-860627-000  
CIRCUIT BREAKER W/BRKT



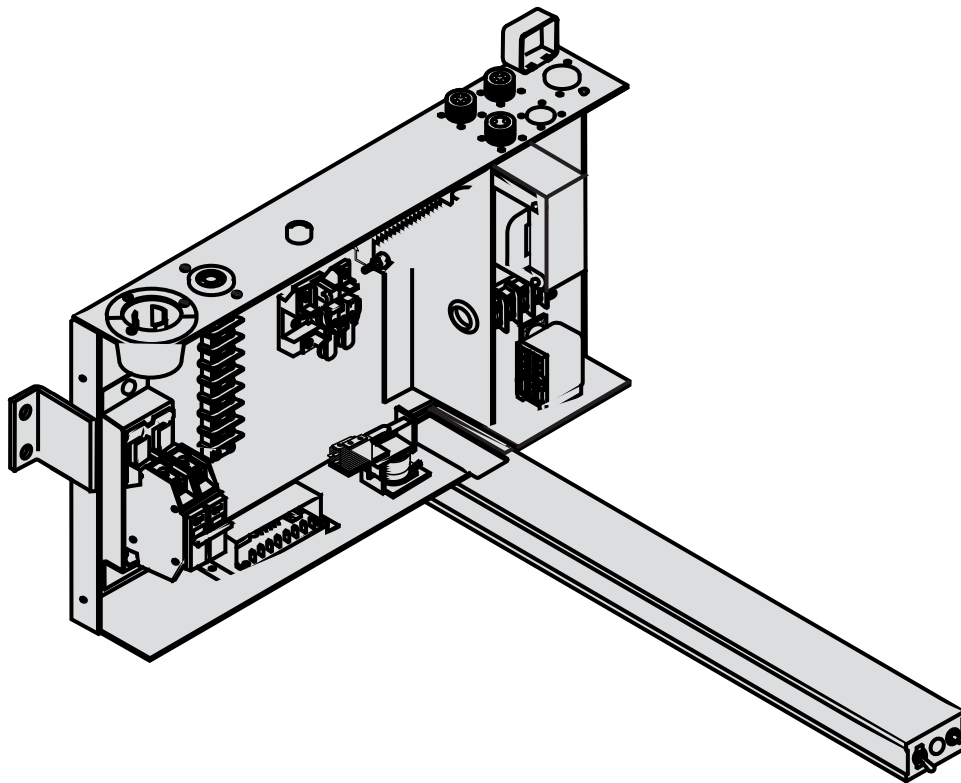
10-688003-000  
SOLENOID 240VAC  
10-688009-000  
SOLENOID 115VAC

ELECTRICAL COMPONENTS



Call 631-582-5450 in NY or Fax 631-582-5875. Outside the NY area, 1-800-366-4JCP.

## Section 12 Electrical Components



ELECTRICAL COMPONENTS

# ELECTRICAL COMPONENTS

102

ELECTRICAL COMPONENTS

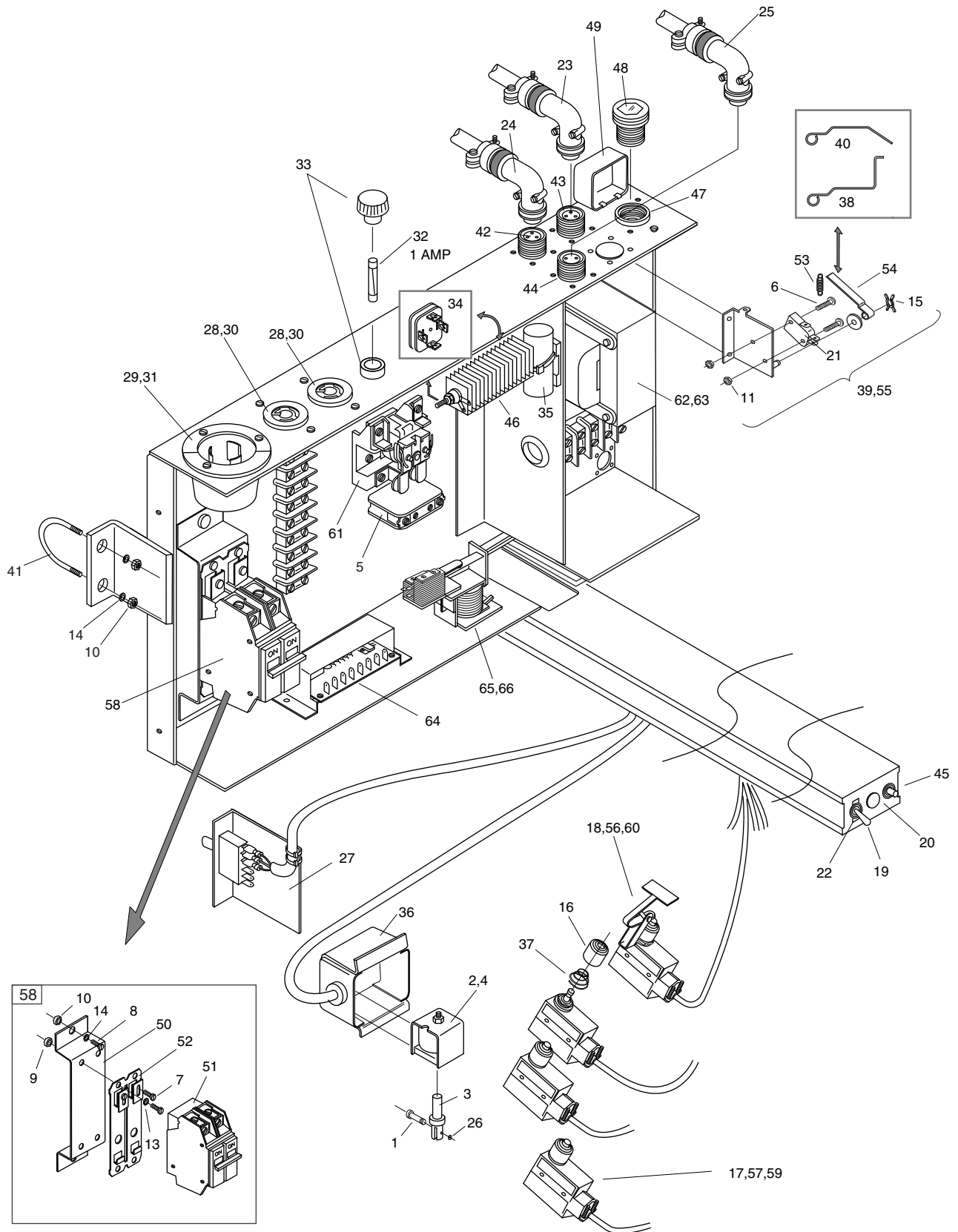
ITEM	PART NUMBER	DESCRIPTION	ITEM	PART NUMBER	DESCRIPTION
1	10-229451-000	PIN	34	11-693130-000	BRIDGE RECTIFIER
2	10-688003-000	SOLENOID 230V	35	11-696107-000	CAPACITOR
3	10-688003-003	PLUNGER	36	12-102020-000	COVER
4	10-688009-000	SOLENOID 115V	37	12-700041-000	SPRING
5	10-679151-000	OVERLOAD RELAY (IF REQ'D)	38	12-700101-000	LEVER (AFTER S/N 18,812)
6	11-107008-000	MACH SCREW	39	12-700102-000	SWITCH ASSY (W/ ITEM#38)
7	11-107036-000	MACH SCREW	40	12-700103-000	LEVER (PRIOR TO S/N 18,812)
8	11-107145-000	MACH SCREW	41	12-750007-000	U-BOLT
9	11-124001-000	HEX NUT	42	12-750031-000	RECEPTACLE
10	11-125007-000	HEX NUT	43	12-750032-000	RECEPTACLE
11	11-170000-000	LOCKNUT	44	12-750033-000	RECEPTACLE
12	11-190010-000	PLAIN WASHER	45	12-750054-000	PUSH BUTTON
13	11-195006-000	LOCKWASHER	46	12-750079-000	RECTIFIER
14	11-195014-000	LOCKWASHER	47	12-750179-000	FUSE RECEPTACLE
15	11-230001-001	X-WASHER	48	12-750180-000	FUSE
16	11-615005-000	DUST SEAL "KIT"	49	12-750181-000	FUSE COVER
17	11-615052-000	SWITCH (FOR ITEM #57)	50	12-750745-000	BRACKET
18	11-615053-000	SWITCH (FOR ITEM #56)	51	12-750746-002	CIRCUIT BREAKER
19	11-615501-000	TOGGLE SWITCH	52	12-750746-003	BRACKET
20	11-615503-000	SWITCH (AFTER S/N 2,700)	53	12-752005-000	SPRING
21	11-616013-000	SWITCH	54	12-752008-000	LEVER (FACTORY A-2)
22	11-616602-000	INDICATING PLATE	55	12-752014-000	SWITCH ASSY (W/ITEM #54)
23	11-623001-000	PLUG	56	12-860205-000	SWITCH ASSY (CROSS CONVEYOR)
24	11-623002-000	PLUG	57*	12-860563-000	SWITCH ASSY
25	11-623005-000	PLUG	58	12-860627-000	CIRCUIT BREAKER W/BRKT
26	11-625538-000	O-RING	59	12-860667-000	SW REPAIR KIT (FOR ITEM #57)
27	11-674995-000	SWITCH (1ST & 2ND BALL LIGHT)	60	12-860668-000	SW REPAIR KIT (FOR ITEM #56)
28	11-678001-000	PLUG (NOT SHOWN)	61	12-862111-000	CONTACTOR 120V
29	11-679202-000	PLUG (NOT SHOWN)	62	12-862164-000	TRANSFORMER
30	11-679303-000	RECEPTACLE (AFTER S/N 57,491)	63	12-862165-000	TRANSFORMER
31	11-679306-000	RECEPTACLE ASSY	64**	12-862890-000	TIME DELAY MODULE
32	11-684104-000	FUSE	65	12-862827-000	RELAY
33	11-685127-000	FUSE HOLDER	66	12-862829-000	RELAY

\*NOTE: Switch assy. for deck, frame count, turret, & 2nd ball light.

\*\*ADJUSTABLE



Call 631-582-5450 in NY or Fax 631-582-5875. Outside the NY area, 1-800-366-4JCP.



ELECTRICAL COMPONENTS

# ELECTRICAL COMPONENTS

104

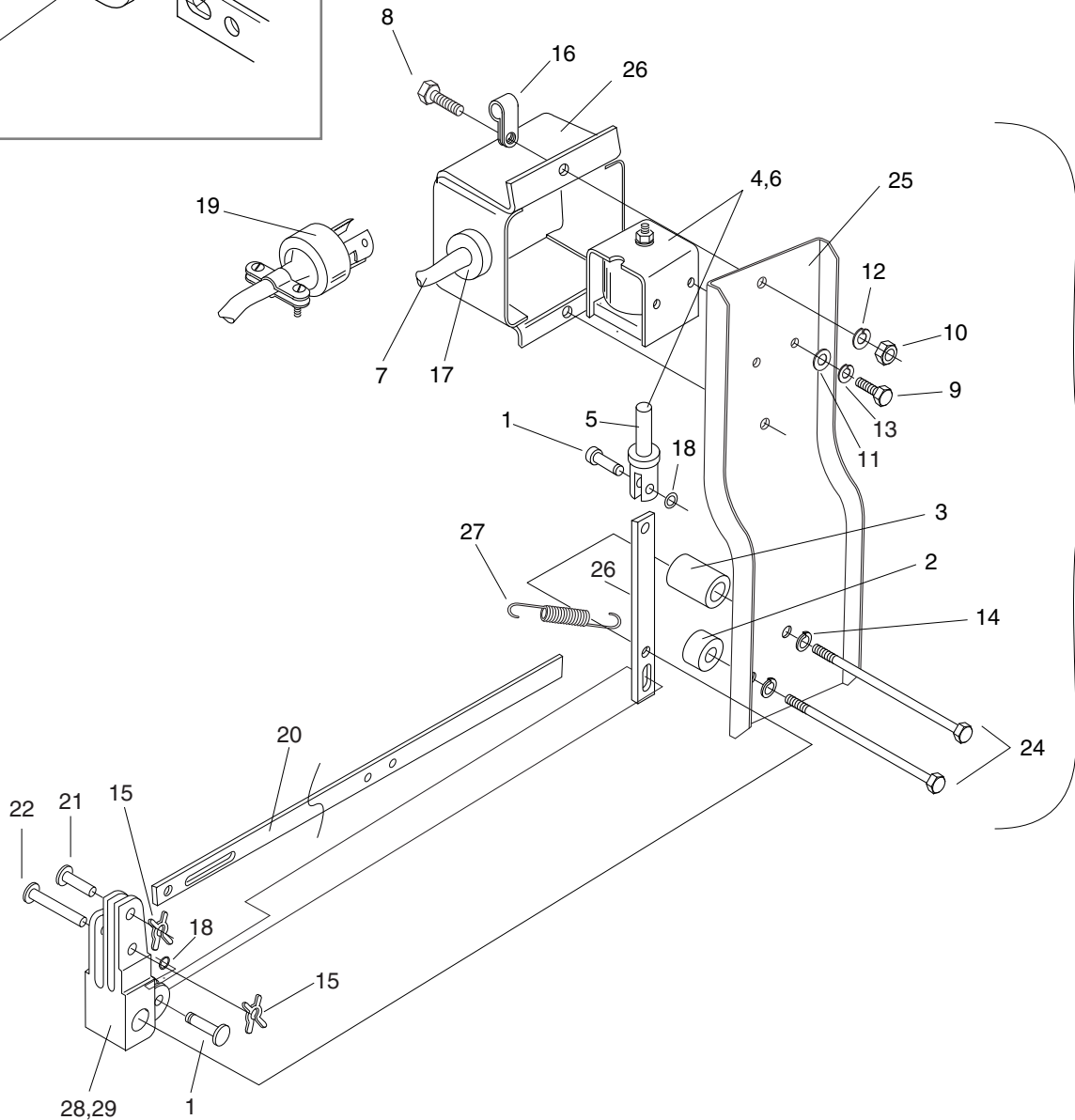
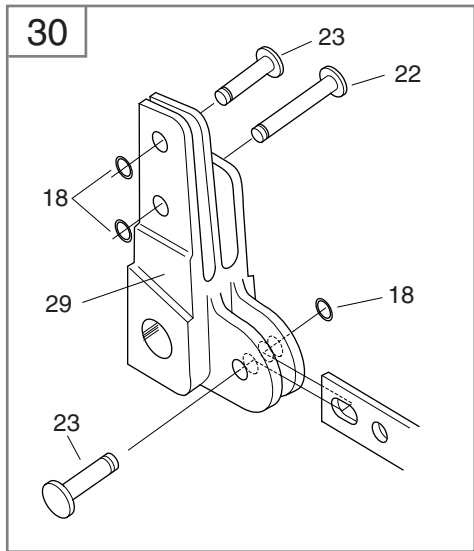
ELECTRICAL COMPONENTS

ITEM	PART NUMBER	DESCRIPTION	ITEM	PART NUMBER	DESCRIPTION
1	10-229451-000	PIN	18	11-625538-000	O-RING
2	10-386068-000	SPACER	19	11-678001-000	PLUG
3	10-386069-000	SPACER	20	12-100040-004	LINK
4	10-688003-000	SOLENOID 230V	21	12-100166-005	PIN
5	10-688003-003	PLUNGER	22	12-100166-019	PIN
6	10-688009-000	SOLENOID 115V	23	12-100166-024	PIN
7	10-750610-000	3 CONDUCTOR CORD	24	12-100441-000	BOLT (SPECIAL)
8	11-001024-001	HEX HD SCREW	25	12-100809-000	MOUNTING PLATE
9	11-010094-001	HEX HD SCREW	26	12-102020-000	COVER
10	11-125003-000	HEX NUT	27	12-102105-000	SPRING
11	11-190006-000	PLAIN WASHER	28	12-102236-000	BELLCRANK ASSY (NOT SHOWN)
12	11-195008-000	LOCKWASHER	29	12-102236-J	"JCP" URETHANE BELLCRANK
13	11-195010-000	LOCKWASHER	30*	12-102236-JUR	"JCP" URETHANE BELLCRANK KIT
14	11-195014-000	LOCKWASHER	31	12-102363-000	SOLENOID LINK
15	11-230000-001	X-WASHER	32	12-862905-115	SOLENOID KIT 115V
16	11-604105-000	CABLE CLAMP	33	12-862905-230	SOLENOID KIT 230V
17	11-611011-000	STRAIN RELIEF BUSHING			

\*NOTE: Special pins required see drawing.



Call 631-582-5450 in NY or Fax 631-582-5875. Outside the NY area, 1-800-366-4JCP.



ELECTRICAL COMPONENTS

# ELECTRICAL COMPONENTS

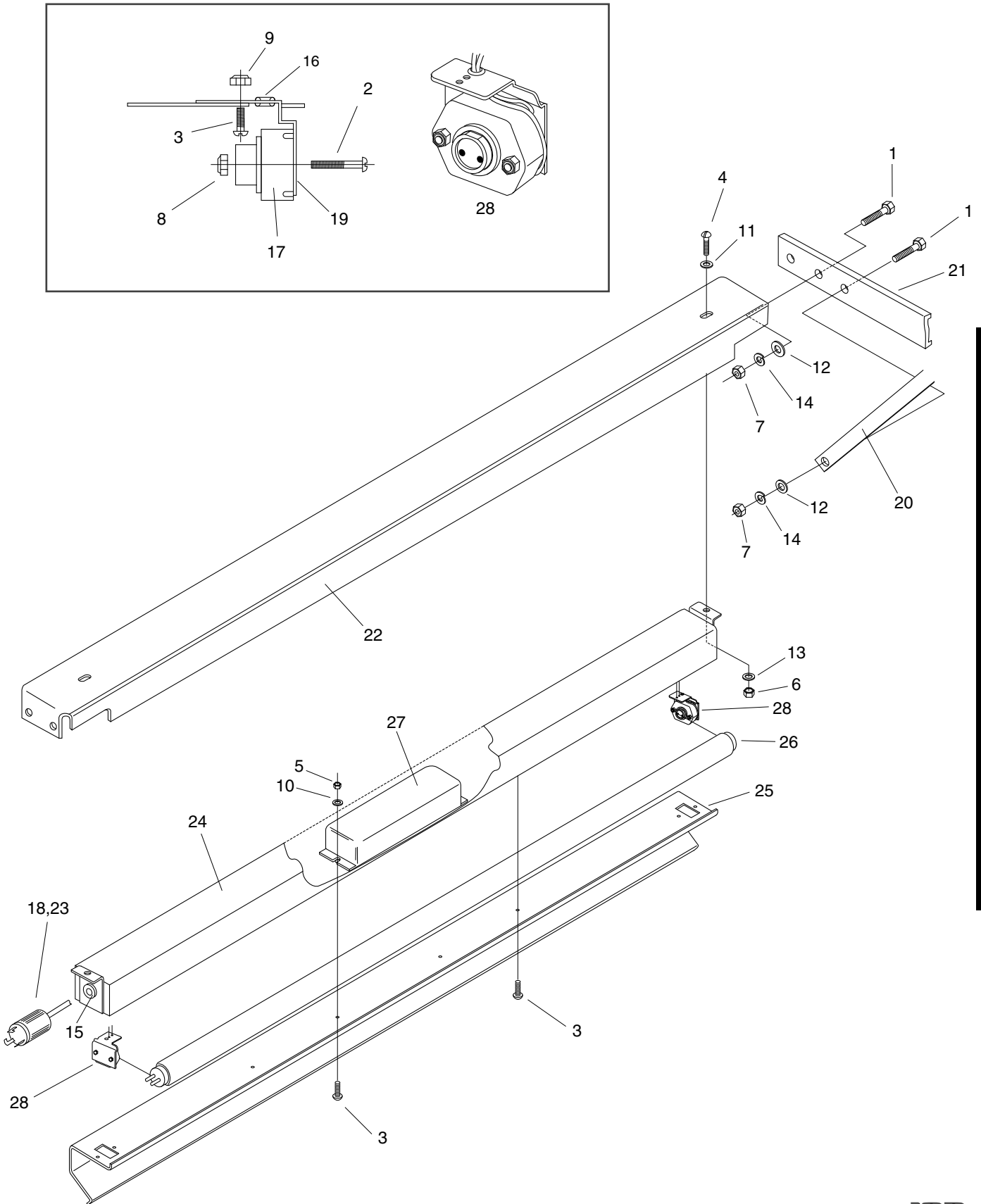
106

ELECTRICAL COMPONENTS

ITEM	PART NUMBER	DESCRIPTION	ITEM	PART NUMBER	DESCRIPTION
1	11-001346-000	HEX HD SCREW	15	11-611011-000	STRAIN RELIEF BUSHING
2	11-012279-001	PAN HD SCREW	16	11-651019-000	GROMMET
3	11-012563-001	PAN HD SCREW	17	11-675668-000	LAMP HOLDER
4	11-107148-001	ROUND HD SCREW	18	11-678003-000	PLUG, CONNECTOR
5	11-125003-000	HEX NUT	19	12-700680-000	LAMP HOLDER BRACKET
6	11-125007-000	HEX NUT	20	12-750255-000	LINK
7	11-125104-000	HEX NUT	21	12-750798-000	BRACE
8	11-170002-000	LOCKNUT	22	12-750799-000	PIT LITE SUPPORT
9	11-170004-000	LOCKNUT	23	12-750983-000	CORD ASSY W/PLUG
10	11-190004-000	PLAIN WASHER	24	12-750985-000	CHANNEL ASSY
11	11-190010-000	PLAIN WASHER	25	12-750986-000	REFLECTOR
12	11-190014-000	PLAIN WASHER	26	12-750992-000	PIN LAMP-40 WATT
13	11-195014-000	LOCKWASHER	27	12-750994-000	BALLAST 115V
14	11-195016-000	LOCKWASHER	28	12-860770-000	PIN LAMP HOLDER ASSY



Call 631-582-5450 in NY or Fax 631-582-5875. Outside the NY area, 1-800-366-4JCP.



ELECTRICAL COMPONENTS

Call 631-582-5450 in NY or Fax 631-582-5875. Outside the NY area, 1-800-366-4JCP.

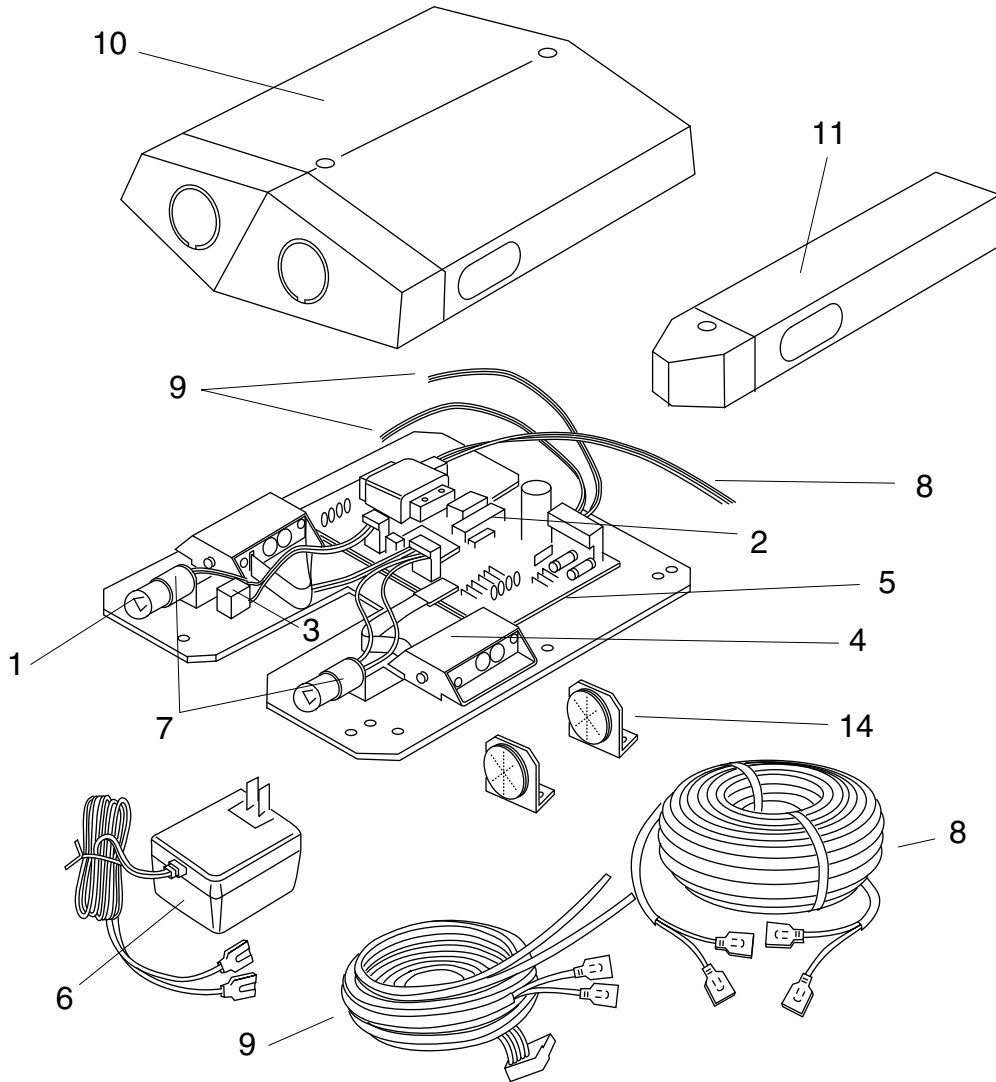




# ELECTRICAL COMPONENTS

108

ELECTRICAL COMPONENTS



ITEM	PART NUMBER	DESCRIPTION	ITEM	PART NUMBER	DESCRIPTION
1	400094	LAMP (10)	8	440040	POWER HARNESS
2	400110	FUSE (6)	9	440049	SCORING HARNESS
3	400111	BUZZER	10	53-600161-JCP	"JCP" WIDE COVER BLACK
4	431015	SENSOR	11	53-600163-JCP	"JCP" NARROW COVER BLACK
5	431038	PC BOARD	12	53-861011-000	"JCP" INFRARED FOUL LITE
6	431040	TRANSFORMER	13	5400137	SPARE PARTS KIT (NOT SHOWN)
7	440020	LAMP SOCKET	14	800057	REFLECTOR



Call 631-582-5450 in NY or Fax 631-582-5875. Outside the NY area, 1-800-366-4JCP.