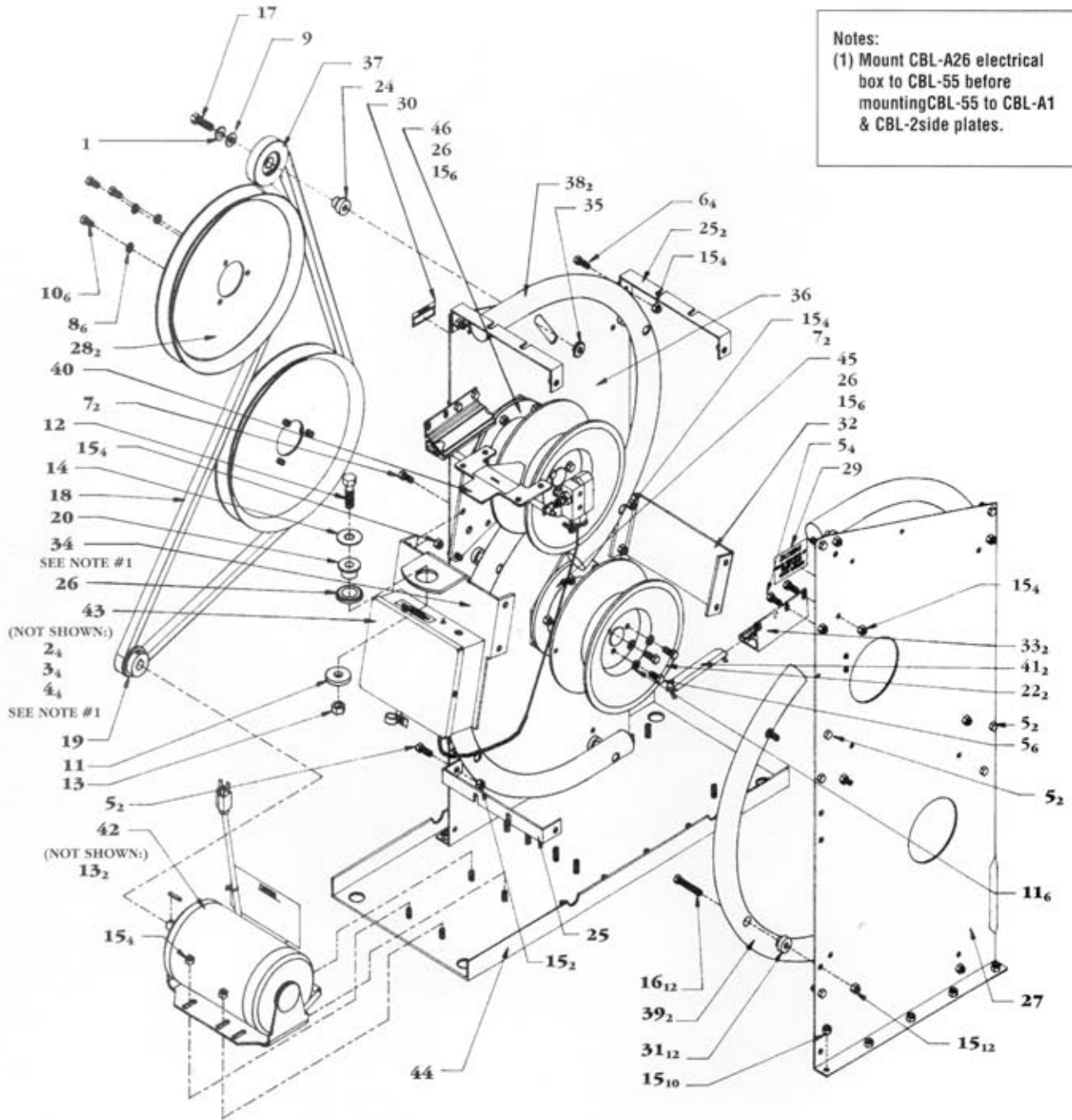


POWER LIFT ASSEMBLY SECTION

Century Power Lift Assembly



CENTURY POWER LIFT ASSEMBLY



Century Power Lift Assembly

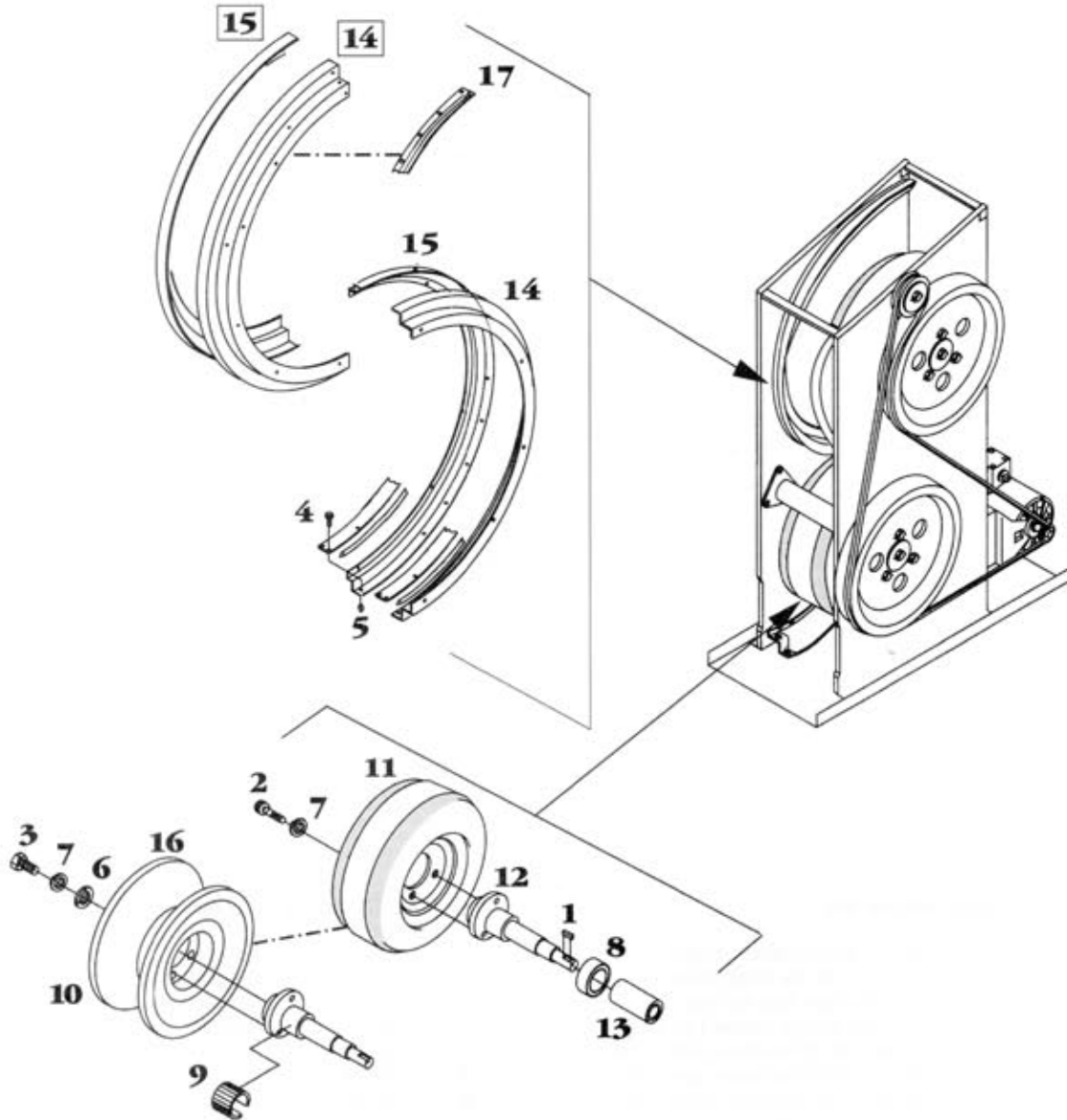
65

CENTURY POWER LIFT ASSEMBLY

ITEM	PART NUMBER	DESCRIPTION	ITEM	PART NUMBER	DESCRIPTION
1	01-065	5/16 USS Wrought Washer, Type A, Pltd	24	CBL-10	Idler Shaft
2	01-044	1/4-20 X 5/8 NC Hex Screw, Grade 5, Pltd.	25	CBL-12	Spacer Bracket
3	01-052	1/4-20 Hex Steel Mach Nut, Pltd	26	CBL-15	Stiffener Plate
4	01-056	1/4-20 USS Wroughr Washer, Type A, Pltd	27	CBL-2	Right Side Plate
5	01-059	5/16-18 X 3/4 NC Hex Screw, Grade 5, Pltd	28	CBL-27	Pulley Spec
6	01-060	5/16-18 X 7/8 NC Hex Screw, Grade 5, Pltd	29	CBL-37	Warning Label – Interlock Switch
7	01-061	5/16-18 X 1 NC Hex Screw, Grade 5, Pltd	30	CBL-42	Serial No. Tag
8	01-063	5/16-Split Lock Washer, Medium, Pltd	31	CBL-47	Rail Spacer
9	01-069	3/8 USS Wroughr Washer, Type A, Pltd	32	CBL-49	Brace
10	01-242	5/16-18 X 5/8 NC Hex Screw, Grade 5, Pltd	33	CBL-50	Transition Pad Mount
11	01-263	1-5/8 DD X 9/16 ID X 1/4 Thick Washer, Pltd	34	CBL-55	Support Brace
12	01-264	1/2-13 X 1-3/4 NC Hex Screw, Grade 2, Pltd	35	CBL-7	Idler Nut
13	01-265	1/2-13 Stover Lock Nut, Pltd	36	CBL-A1	Left Side Assembly
14	01-270	1-5/8 DD X 1/2 ID X 1/8 Thick Washer, Pltd	37	CBL-A11	Idler Assembly
15	01-457	5/16-18 Nylon Insert Hex Lock Nut, Pltd	38	CBL-A12	Upper Track Assembly
16	01-485	5/16-18 X 2 NC Hex Screw, Grade 5, Pltd	39	CBL-A13	Lower Track Assembly
17	01-553	3/8-16 X 1-1/4 NC Hex Screw, Grade 2, Pltd	40	CBL-A18	V Wheel Guard Assembly
18	03-070	Belt, Browing #AA-90	41	CBL-A23	Transition Pad Assembly
19	03-079	Pulley W.W. Grainger #3X759	42	CBL-A25	Motor Assembly
20	03-089	Bushing, Laurel MFG	43	CBL-A26	Central Box W/Safty Switch Assembly
21	04-065	Plastic Wire Tie, Panduit #PLTIM-MP	44	CBL-A27	Base Plate Assembly
22	04-478	V Wheel, Northern	45	CBL-A8	Lower Shaft Assembly
23	04-572	Rubber Grommet, #H2572-26012	46	CBL-A9	Upper Shaft Assembly

Brunswick

Power Lift Assembly



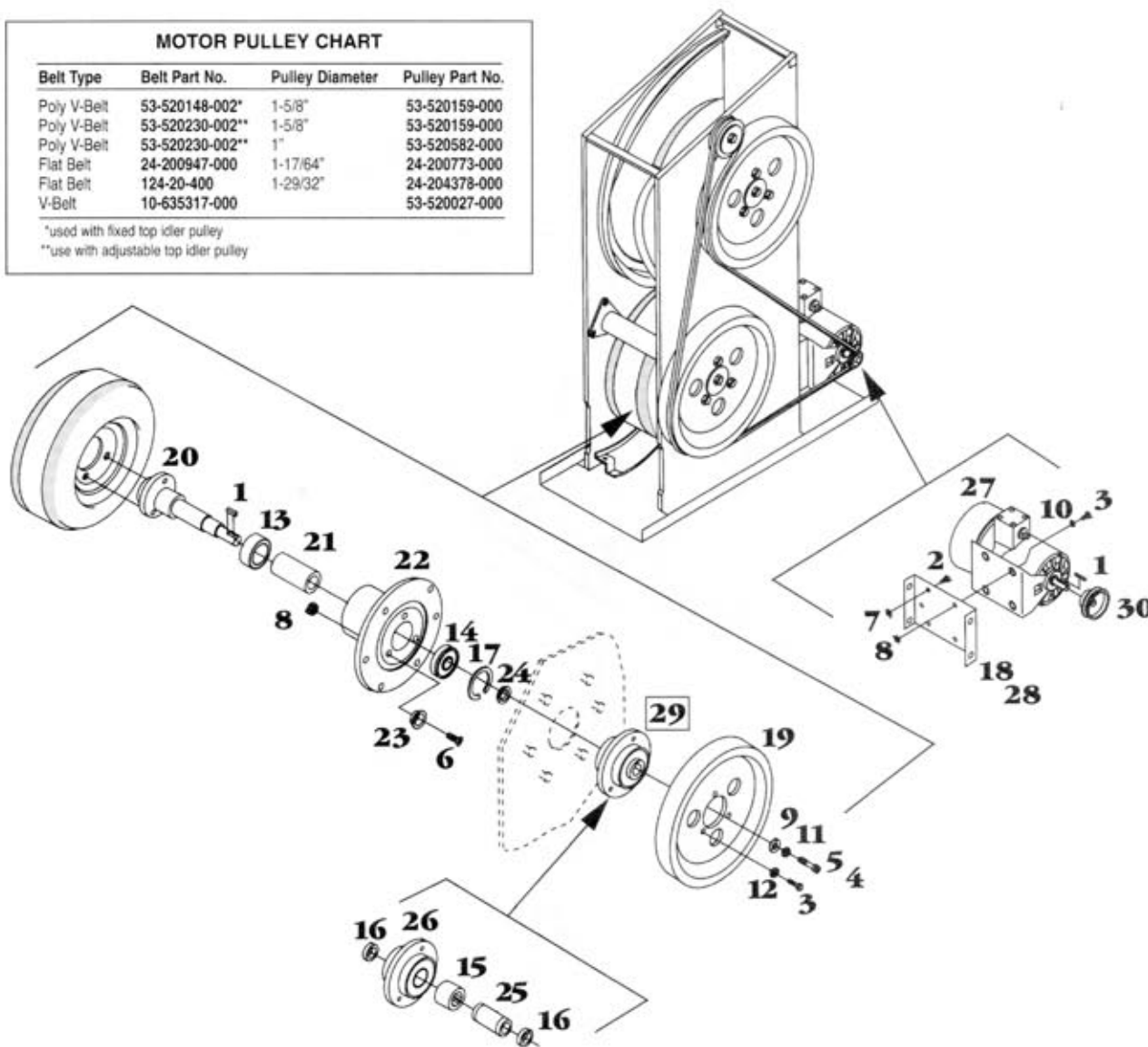
ITEM	PART NUMBER	DESCRIPTION	ITEM	PART NUMBER	DESCRIPTION
1	10-620057-000	Key	10	250 001 051	Rubber V-Wheel
2	11-001258-001	Hex Head Cap Screw	11	53-520060-000	Rubber Hub and Tire
3	11-001268-001	Hex Head Cap Screw	12	53-520066-000	Shaft
4	11-019654-001	Machine Screw	13	53-520067-000	Spacer
5	11-155101-000	Spline Nut	14	53-520146-002	R.H. Track Assembly
6	11-191012-001	Washer	15	53-520146-003	L.H. Track Assembly
7	11-195015-001	Lock Washer	16	90-520060-000	Urethane Ball Wheel
8	11-430013-000	Bearing	17	90-520171-000	Urethane Track Assembly
9	11-505104-000	Tolerance Ring			

MOTOR PULLEY CHART

Belt Type	Belt Part No.	Pulley Diameter	Pulley Part No.
Poly V-Belt	53-520148-002*	1-5/8"	53-520159-000
Poly V-Belt	53-520230-002**	1-5/8"	53-520159-000
Poly V-Belt	53-520230-002**	1"	53-520582-000
Flat Belt	24-200947-000	1-17/64"	24-200773-000
Flat Belt	124-20-400	1-29/32"	24-204378-000
V-Belt	10-635317-000		53-520027-000

*used with fixed top idler pulley

**use with adjustable top idler pulley

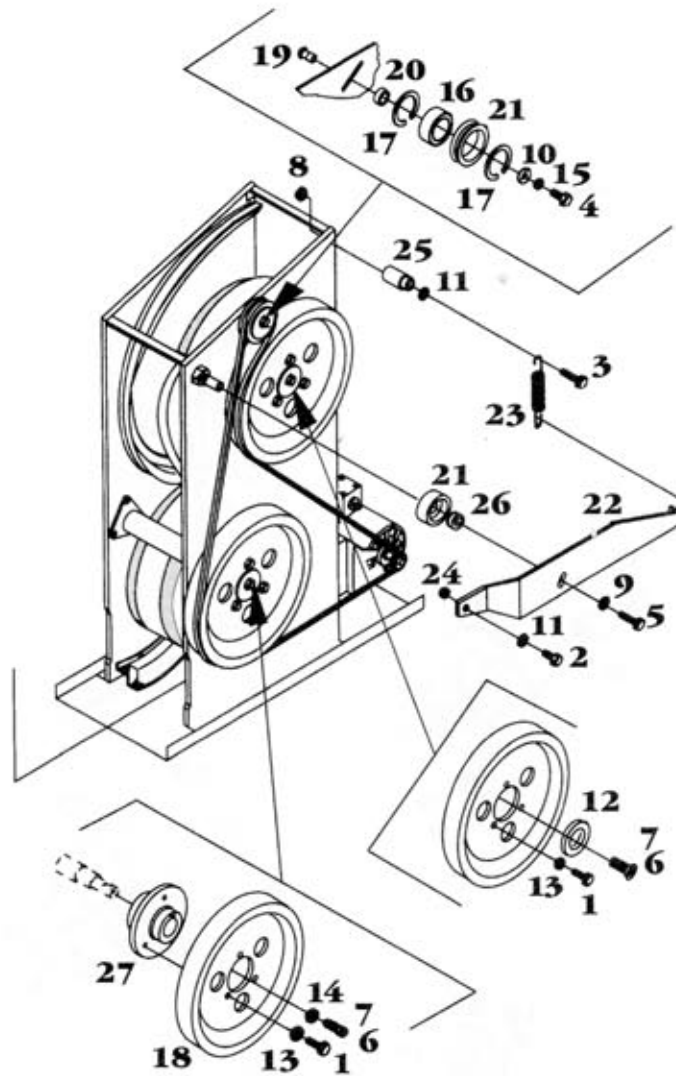


BRUNSWICK POWER LIFT ASSEMBLY

ITEM	PART NUMBER	DESCRIPTION
1	10-620057-000	Key, 1/4" long Key, 1-5/16" long
2	11-001262-001	Hex Head Cap Screw
3	11-001263-001	Hex Head Cap Screw
4	11-002005-001	Hex Head Cap Screw
5	11-005184-001	Socket Head Cap Screw
6	11-008148-000	Hex Socket Head Cap Screw
7	11-125202-001	Jam Nut
8	11-170009-001	Locknut
9	11-190530-001	Washer
10	11-191012-001	Washer
11	11-195014-001	Lock Washer
12	11-195015-001	Lock Washer
13	11-430013-000	Bearing
14	11-430042-000	Bearing
15	11-500552-000	Clutch and Bearing
16	11-533019-000	Retaining Ring
17	15-651243-000	Retaining Ring
18	53-520049-000	Motor Support
19	53-520063-000	Pulley
20	53-520066-000	Shaft
21	53-520067-000	Spacer
22	53-520068-000	Housing
23	53-520069-000	Retaining Washer
24	53-520088-000	Spacer
25	53-520421-000	Inner Ring
26	53-520422-000	Outer Hub
27	53-860322-010	Motor, 1/4 hp and 1,140 rpm
28	53-860468-000	Conversion Plate (Not Shown)
29	53-860555-000	Clutch Assembly
30		Motor Pulley (see chart)

Brunswick

Power Lift Assembly



ITEM	PART NUMBER	DESCRIPTION
------	-------------	-------------

1	11-001263-001	Hex Head cap Screw
2	11-001264-001	Hex Head Cap Screw
3	11-001270-001	Hex Head Cap Screw
4	11-001342-001	Hex Head Cap Screw
5	11-001909-001	Hex Head Cap Screw
6	11-002005-001	Hex Head Cap Screw
7	11-005184-001	Hex Socket Head Cap Screw
8	11-170009-001	Locknut
9	11-190012-001	Washer
10	11-190514-001	Washer
11	11-190529-001	Washer
12	11-190530-001	Washer
13	11-195014-001	Lock Washer
14	11-195015-001	Lock Washer

ITEM	PART NUMBER	DESCRIPTION
------	-------------	-------------

15	11-195016-001	Lock Washer
16	11-430028-000	Bearing
17	11-530531-000	Retaining Ring
18	53-520063-000	Pulley
19	53-520071-000	Bearing Stud
20	53-520072-000	Spacer
21*	53-520244-000	Poly V-Belt Idler Assembly
22	53-520300-000	Idler Arm
23	53-520301-000	Tension Spring
24	53-520303-000	Spacer
25	53-520304-000	Spring Post
26	53-520306-000	Spacer
27	53-860555-000	Clutch Assembly

* For V-Belt application order top idler P/N 53-520026-000.

