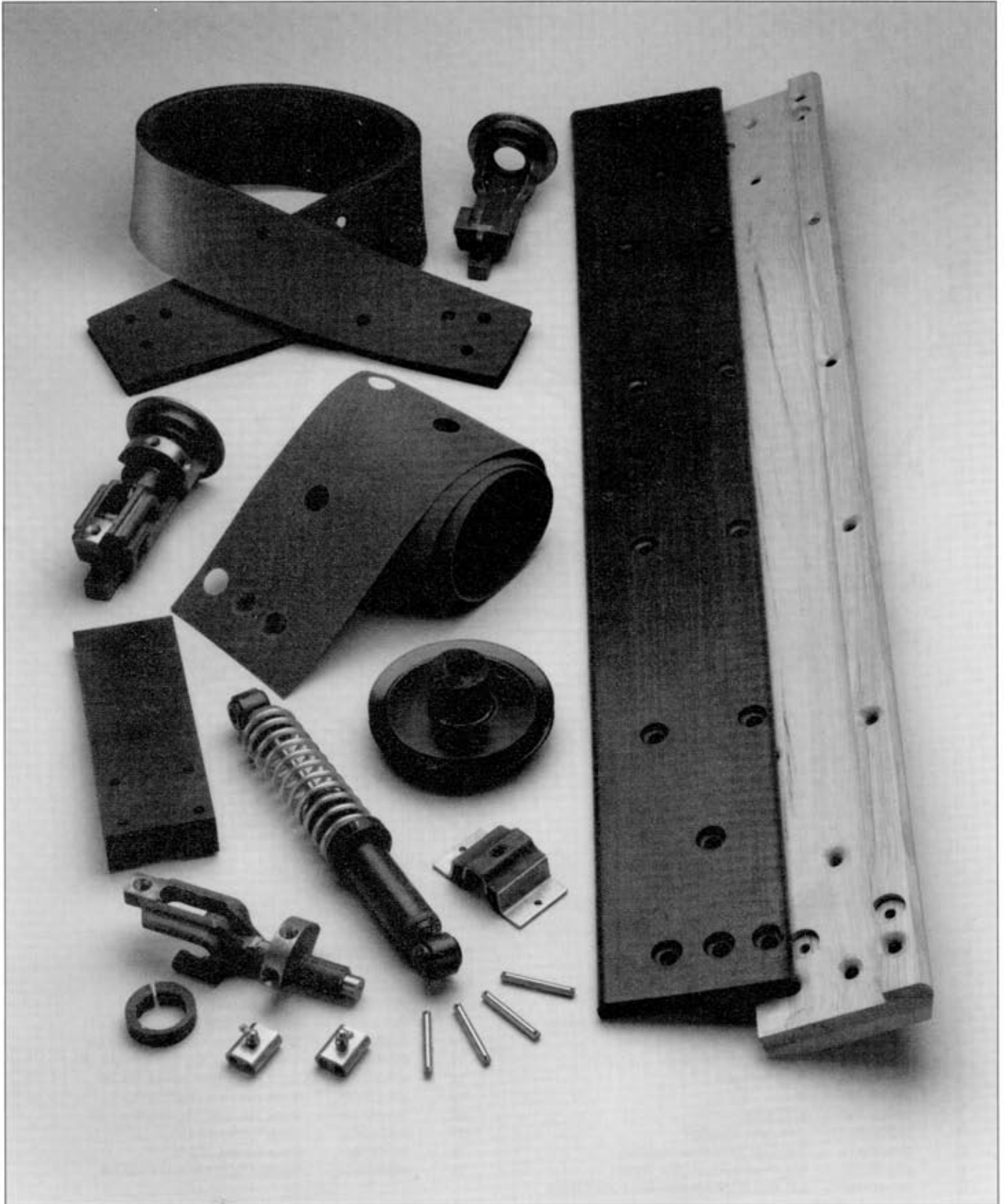


# Pit Assembly Section

43A

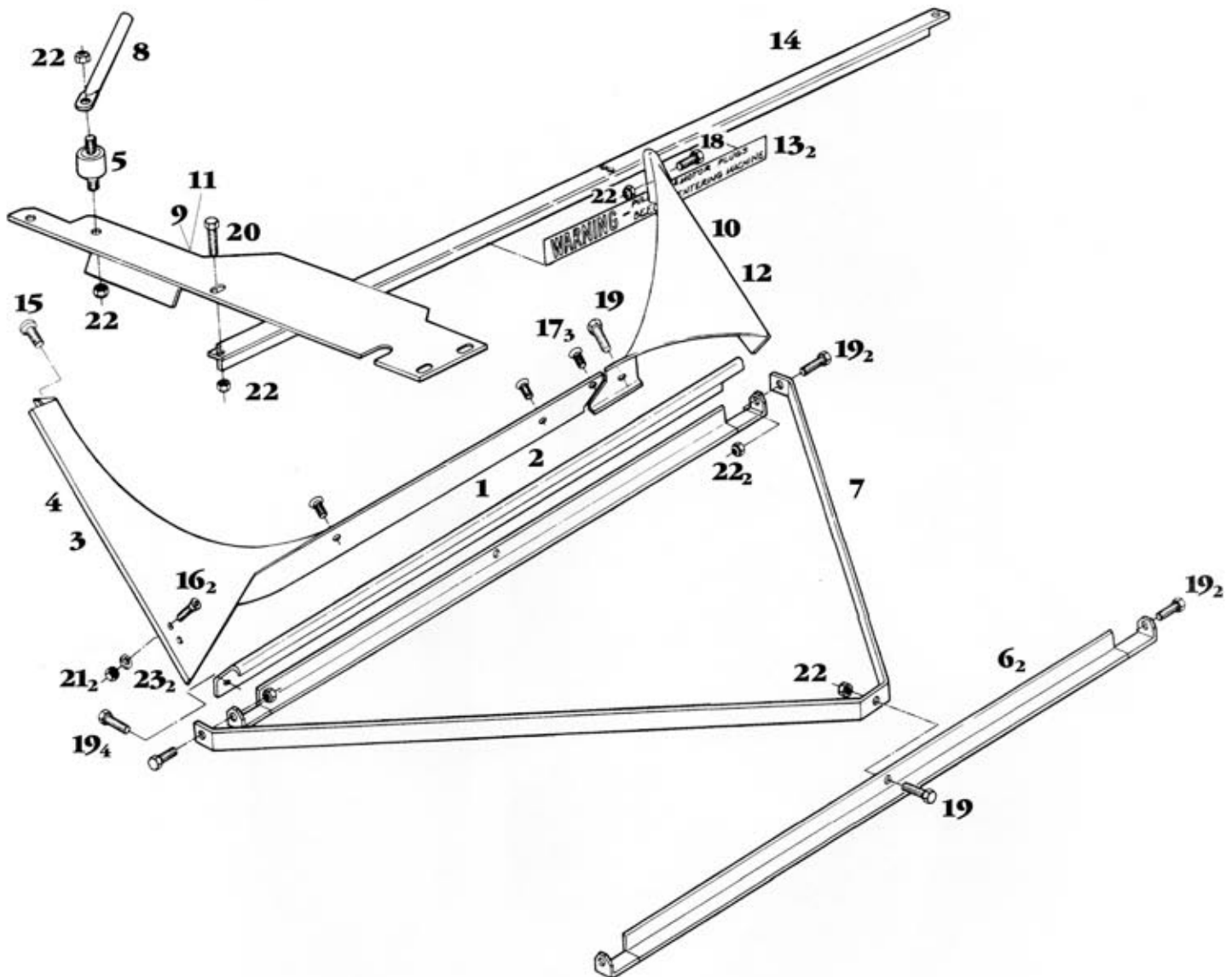


PIT ASSEMBLY SECTION

Call (631) 582-5450 in NY or Fax (631) 582-5875. Outside the NY area 1-800-366-4JCP.



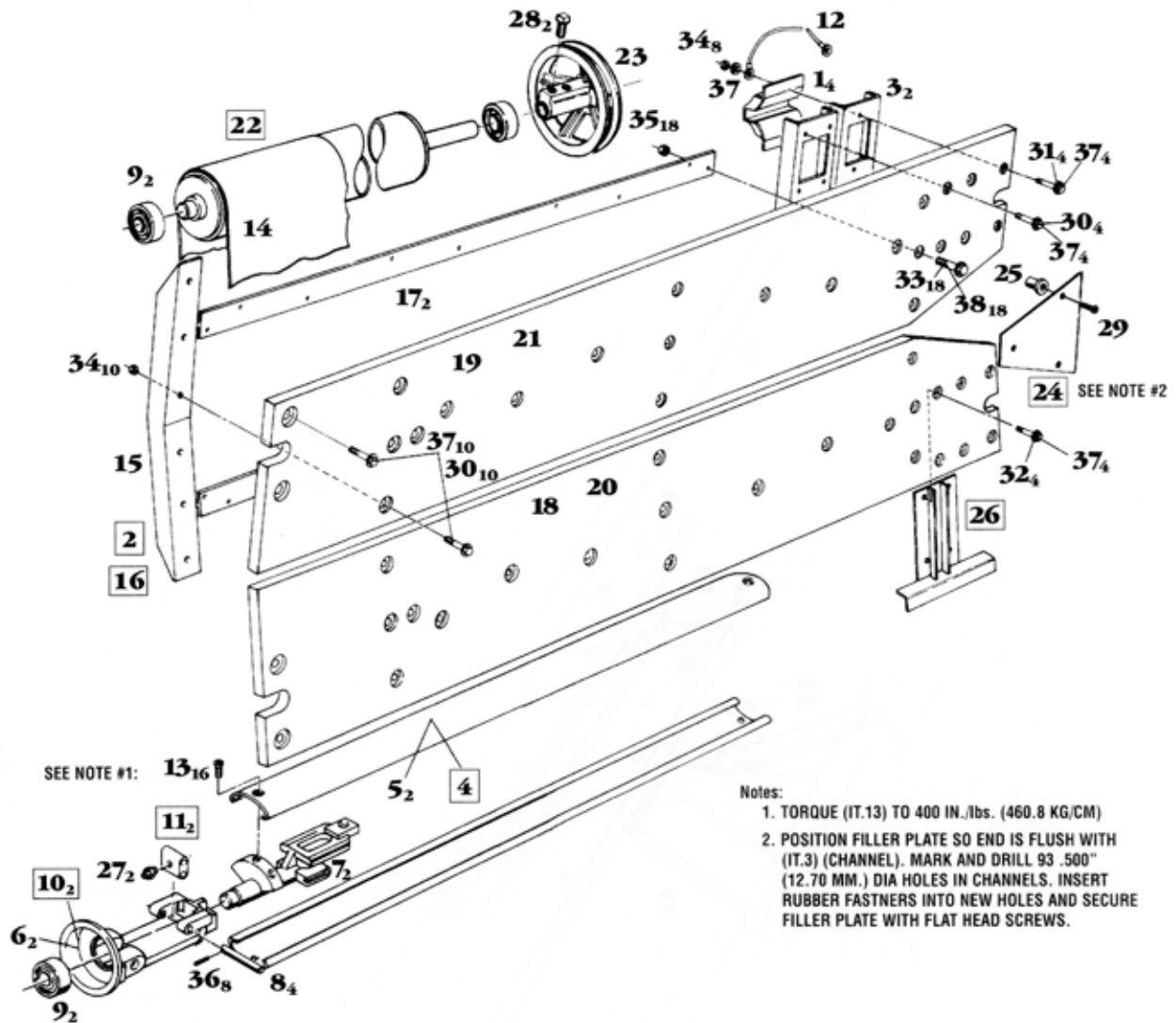
# Back End Assembly



BACK END ASSEMBLY PARTS

ITEM	PART NUMBER	DESCRIPTION	ITEM	PART NUMBER	DESCRIPTION
1	000-027-099	R.H. Apron Assembly	13	070-005-614	Warning Decal
2	000-027-100	L.H. Apron Assembly (Not Shown)	14	070-007-359	Bracket Support
3	000-027-368	L.H. Plow & Mat Assembly-Large (Not Shown)	15	808-566-160	Screw, But. Head Soc. Cap-3/8-24 x 1
4	000-027-372	R.H. Plow & Mat Assembly-Large	16	808-849-120	Screw, Fl. Head Soc. Cap-1/4-20 x 3/4
5	000-029-068	Rubber Shock Mounting	17	808-858-120	Screw, Fl. Head Soc. Cap-5/16-24 x 3/4
6	070-001-184	Strap Weldment	18	809-857-125	Screw, Flex Head Cap-5/16-18 x 3/4
7	070-001-185	Brace	19	809-857-165	Screw, Hex Head Cap-5/16-18 x 1
8	070-001-195	Pin Ejector	20	809-857-205	Screw, Hex Head Cap-5/16-18 x 1-1/4
9	070-001-357	R.H. Tread Weldment	21	844-049-002	Stover Locknut-1/4-20
10	070-001-412	R.H. Plow & Mat Assembly-Small	22	844-057-002	Stover Locknut-5/16-18
11	070-002-157	L.H. Tread Weldment (Not Shown)	23	948-753-102	Washer-5/8 OD x 9/32 ID x 1/16 Thk.
12	070-002-169	L.H. Plow & Mat Assembly-Small (Not Shown)			

# Bounce Plate and Roller Assemblies



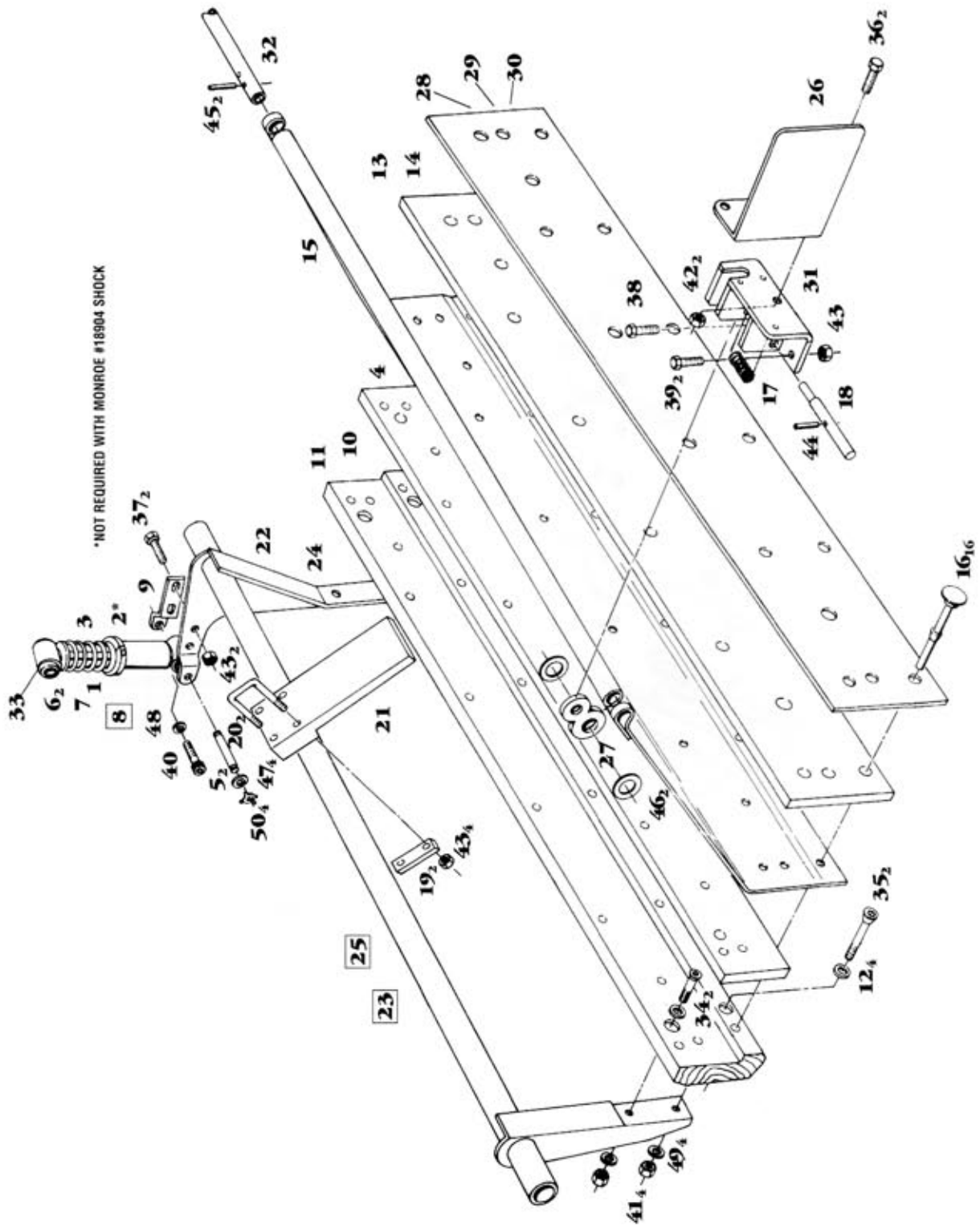
BOUNCE PLATE AND ROLLER ASSEMBLIES

ITEM	PART NUMBER	DESCRIPTION	ITEM	PART NUMBER	DESCRIPTION
1	000-021-224	Vibration Dampener	20	000-029-925	Bounce Plate-Front-L.H. (Not Shown)
2	000-021-420	Bounce Plate Assembly-R.H.	21	000-029-926	Bounce Plate-Rear-L.H. (Not Shown)
3	000-021-914	Channel	22	070-002-034	Rear Roller Assembly
4	000-024-576	Front Roller Assembly	23	070-002-097	Carpet Pulley
5	000-024-578	Roller Body	24	070-007-846	Kit, Field-Filler Plate
6	000-024-579	Hinge Roller	25	070-007-847	Rubber Fastener "Well Nut"
7	000-024-580	Shaft-Hinge	26	610-704-014	Kit-Ball Idling Bracket
8	000-024-582	Roller Pin	27	710-501-002	Grease Fitting
9	000-024-590	Bearing	28	806-265-160	Screw, Sq. Head, Cup Pt.-3/8-16 x 1
10	000-024-592	Hinge Assembly	29	808-849-160	Screw, Flat Head Soc. Cap. 1/4-20 x 1"
11	000-024-597	Link Assembly	30	809-849-165	Screw, Hex Head Cap-1/4-20 x 1" Gr.8
12	000-025-622	Bonding Strap	31	809-849-205	Screw, Hex Head Cap-1/4-20 x 1-1/4 Gr.8
13	000-025-662	Nyloc Screw	32	809-849-325	Screw, Hex Head 1/4-20 x 2 Gr.8
14	000-026-753J	Carpet Belt	33	809-857-205	Screw, Hex Head Cap-5/16-18 x 1-1/4" Gr.8
15	000-029-626	Angle Support	34	844-049-002	Locknut, Stover-1/4-20-Cr. C Cap Pl.
16	000-029-656	Bounce Plate Assembly-L.H. (Not Shown)	35	844-057-002	Locknut, Stover-5/16-18-Gr. C
17	000-029-898	Reinforcement Bar (40.5")	36	913-411-100	ESNA Roll Pin .078 x 5/8
18	000-029-899	Bounce Plate-Front-R.H.	37	948-753-102	Washer-5/8 OD x 9/32 ID x 1/16 Thk.
19	000-029-924	Bounce Plate-Rear-R.H.	38	948-761-112	Washer-11/16 OD x 11/32 ID x 1/16 Thk.

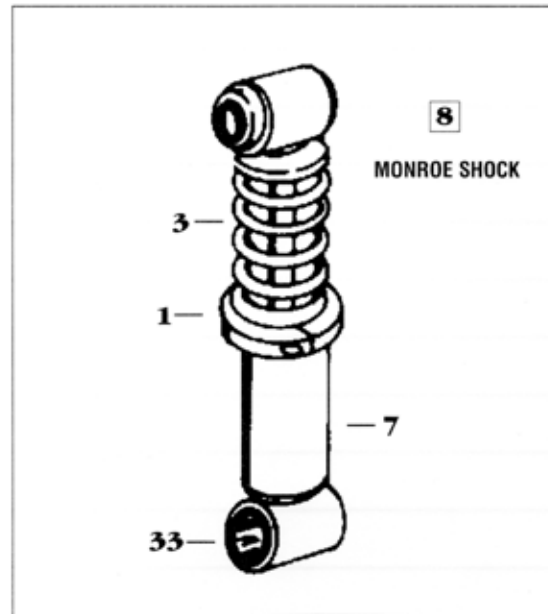


# Cushion, Shock Absorber & Curtain Support Assemblies

CUSHION, SHOCK ABSORBER & CURTAIN SUPPORT ASSEMBLIES



# Cushion, Shock Absorber & Curtain Support Assemblies



CUSHION, SHOCK ABSORBER & CURTAIN SUPPORT ASSEMBLIES

ITEM	PART NUMBER	DESCRIPTION	ITEM	PART NUMBER	DESCRIPTION
1	000-022-286	Collar	26	070-004-738	Guard
2	000-022-287	Washer-Spring Seat	27	070-005-610	Link
3	000-022-288	Spring	28	070-006-761	Cushion Cover
4	000-022-770	Pad-Sponge Rubber	29	070-006-761P	PVC Facing
5	000-022-821	Pin	30	070-006-776	Economy Facing
6	000-022-822	Sleeve	31	070-007-360	Support Bracket Weldment
7	000-022-823	Shock Absorber	32	070-011-288	Curtain Rod
8	000-022-824	Shock Absorber Assembly	33	721-502-005	Bushing, Rubber (Old Style)
9	000-024-534	Ear	34	808-865-320	Screw, Fl. Head Soc.-3/8-16 x 2
10	000-024-795	Plank-L.H. (Not Shown)	35	808-865-400	Screw, Fl. Head Soc.-3/8-16 x 2-1/2
11	000-024-796	Plank-R.H.	36	809-849-125	Screw, Hex Head Cap-GR.8-1/4-20 x 3/4
12	000-024-801	Washer	37	809-857-125	Screw, Hex Head Cap-5/8-18 x 3/4
13	000-024-807	Rubber Cushion-R.H.	38	809-857-165	Screw, Hex Head Cap-Gr. 8-5/16-18 x 1
14	000-024-808	Rubber Cushion-L.H. (Not Shown)	39	809-857-205	Screw, Hex Head Cap-GR.8-5/16-18 x 1-1/4
15	000-026-445	Pin Curtain	40	810-250-200	Screw, Soc. Head Cap-1/4-28 x 1
16	000-028-519	Rivet	41	839-665-002	Locknut-3/8-16
17	070-001-389	Curtain Latch Pin Spring	42	844-049-002	Locknut Stover-1/4-20 Gr. C
18	070-001-396	Curtain Latch Pin	43	844-057-002	Locknut Stover-5/16-18
19	070-001-421	Strap	44	913-431-160	ESNA Roll Pin 5/32 x 1
20	070-001-422	U-Bolt	45	913-437-240	ESNA Roll Pin- .187 x 1-1/2" Lg.
21	070-001-432	Pad	46	945-091-242	Washer- 1-1/2 OD x 1 ID x .046 Thk.
22	070-002-050	Tube Weldment-R.H.	47	948-975-172	Plain Washer
23	070-002-060	Cushion Assembly-R.H.	48	951-148-002	Lockwasher-1/4 SAE
24	070-002-252	Tube Weldment-L.H. (Not Shown)	49	951-164-002	Lockwasher
25	070-002-260	Cushion Assembly-L.H. (Not Shown)	50	963-600-002	"X" Washer