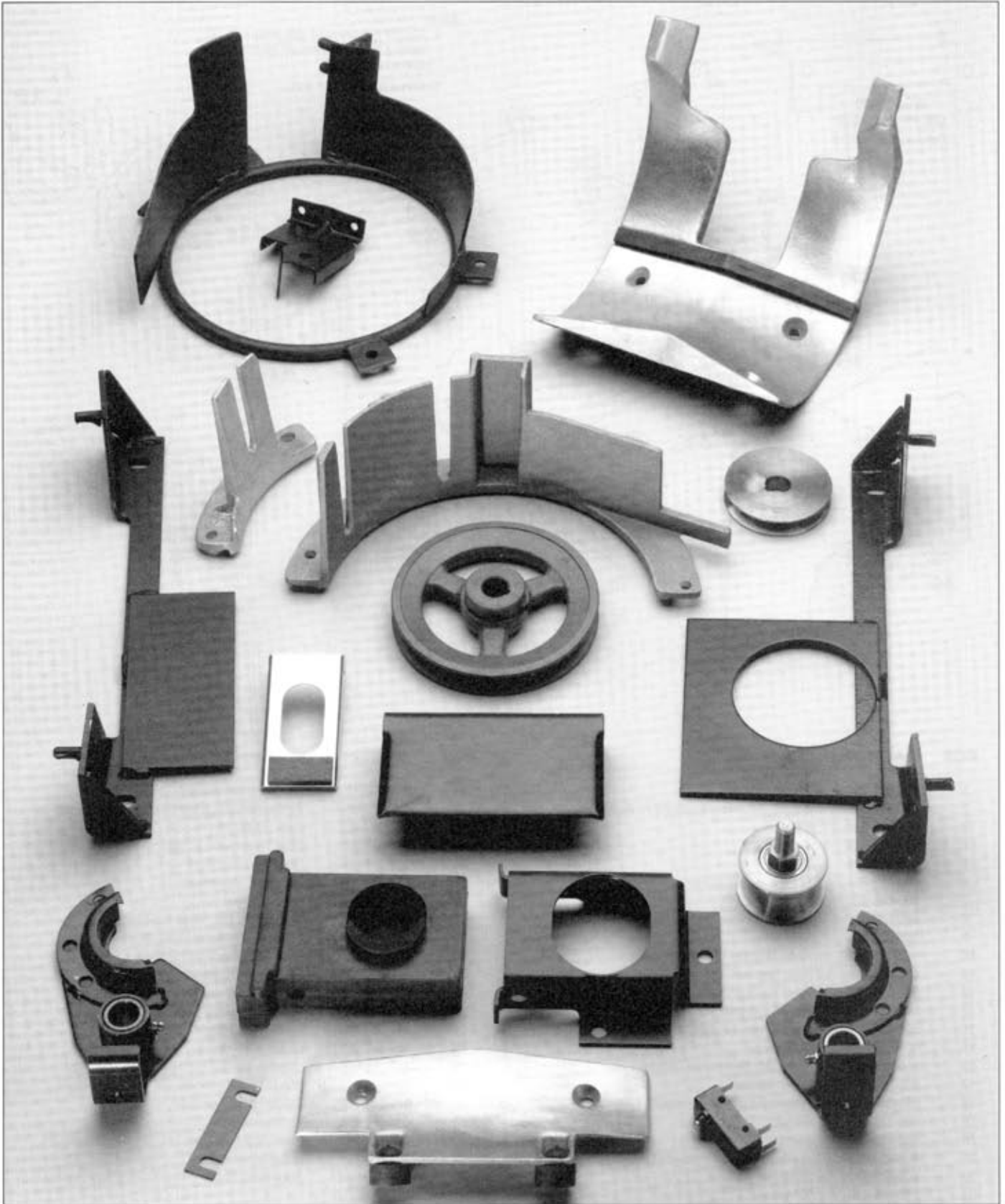


# Back End Assembly

37A

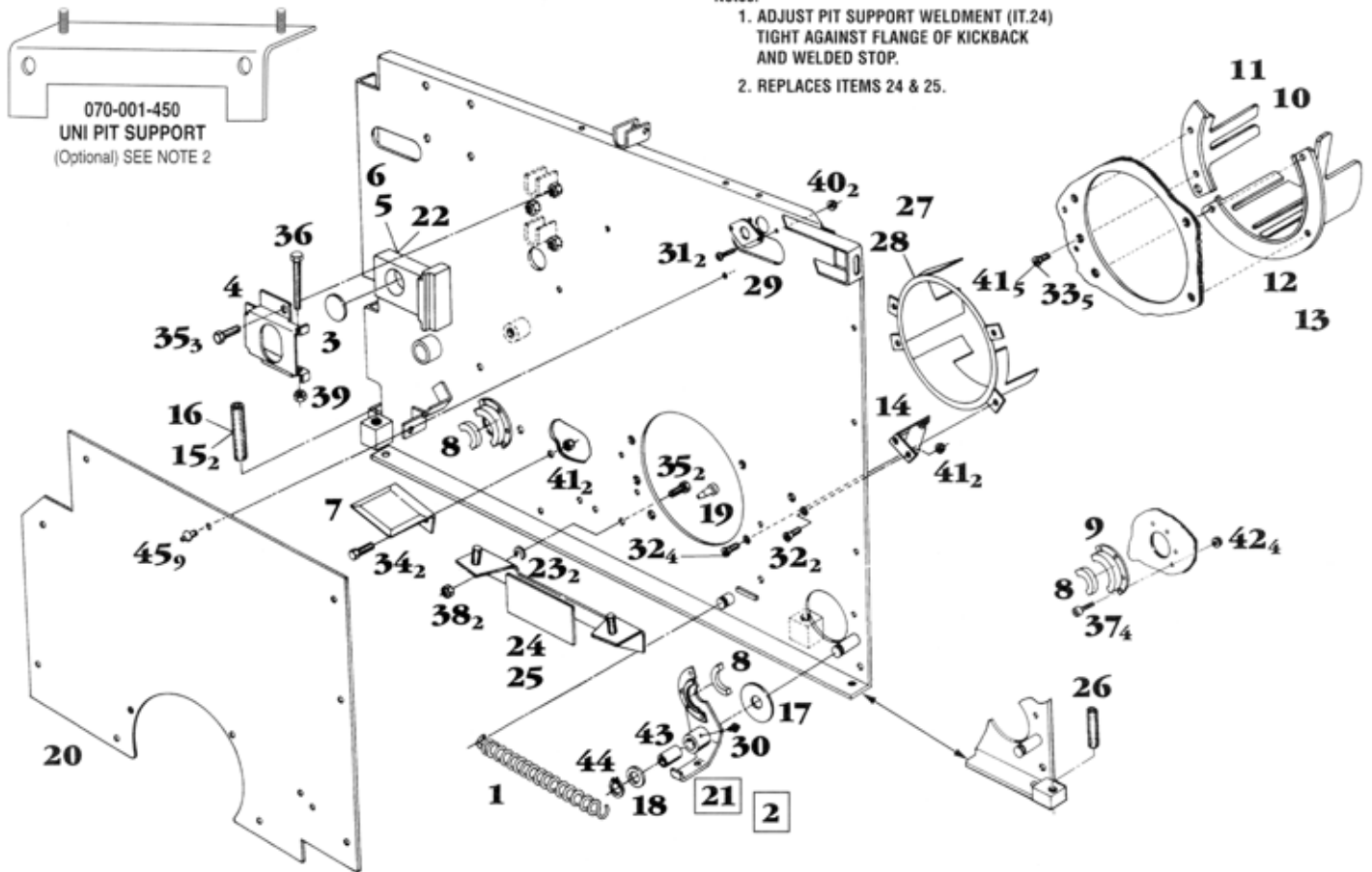


BACKEND ASSEMBLY SECTION

Call (631) 582-5450 in NY or Fax (631) 582-5875. Outside the NY area 1-800-366-4JCP.

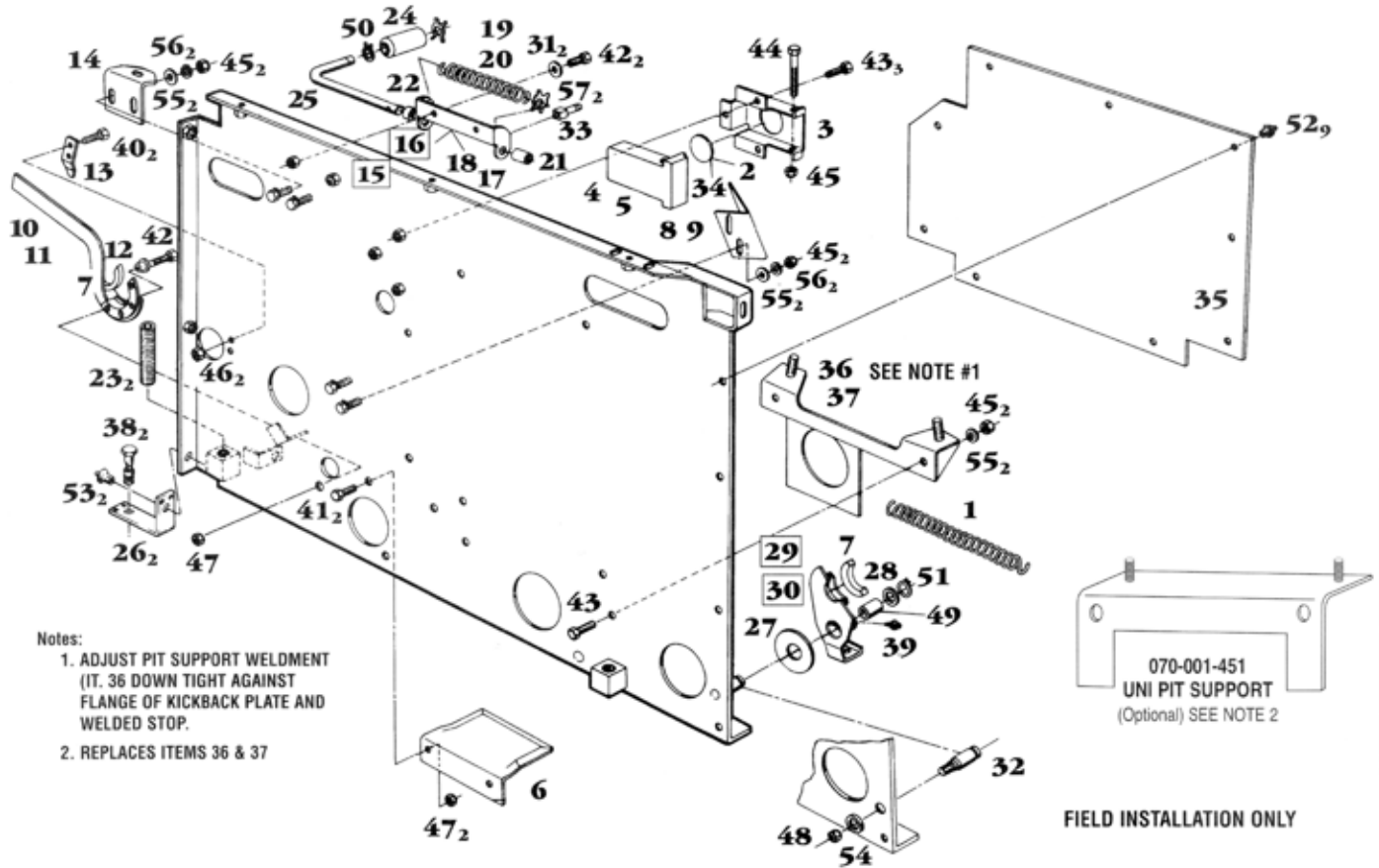


# Kickback Assembly



ITEM	PART NUMBER	DESCRIPTION
1	000-021-204	Spring
2	000-022-249	Bearing Assembly Bracket-L.H. (Not Shown)
3	000-022-300	Shield
4	000-022-788	Support Box
5	000-022-794	Block-R.H.
6	000-022-795	Block-L.H. (Not Shown)
7	000-022-878	Angle
8	000-022-924	Support
9	000-022-926	Retainer
10	000-024-623	Rear Segment L.H. (Not Shown)
11	000-024-624	Rear Segment R.H.
12	000-024-625	Front Segment R.H.
13	000-024-626	Front Segment L.H. (Not Shown)
14	000-024-668	Track Support Bracket Weldment
15	000-024-890	Jack Screw
16	000-025-207	Lock, Jack Screw (Not Shown)
17	000-027-641	Thrust Bearing
18	000-027-642	Washer-Front Roller Support
19	000-028-362	Bumper
20	000-029-640	Panel
21	000-029-672	Bearing Assembly Bracket-R.H.
22	008-100-413	Adhesive
23	070-006-639	"C" Washer
24	070-007-372	Pit Support Weldment-R.H./R.H.
25	070-007-374	Pit Support Weldment-L.H./L.H. (Not Shown)
26	070-007-722	Jack Screw
27	070-011-005	Door Weldment-L.H. (Not Shown)
28	070-011-006	Door Weldment-R.H.
29	070-011-286	Bushing-Curtain Rod
30	710-501-009	Grease Fitting
31	808-549-160	Screw, Soc. But. Head-1/4-20 x 1
32	808-857-120	Fl. Head Soc. Screw-5/16-18 x 3/4
33	808-857-160	Screw, Flt. Soc. Head 5/16-18 x 1
34	809-857-125	Screw, Hex Head-5/16-18 x 3/4
35	809-865-205	Screw, Hex Head-3/8-16 x 1-1/4
36	809-865-645	Screw, Hex Head Cap-3/8-16 x 4-Gr.8
37	810-258-100	Screw, Soc. Head Cap 5/16-24 x 5/8
38	839-665-002	Locknut-3/8-16
39	840-065-002	Locknut-3/8-16
40	844-049-002	Stover Locknut-1/4-20
41	844-057-002	Stover Locknut-5/16-18
42	844-058-002	Locknut 5/16-24
43	900-112-203	Plain Sleeve Bearing
44	919-005-800	Retaining Ring15
45	937-000-000	Steel Drive Rivet

# Kickback Assembly – Side Opposite Ball Exit

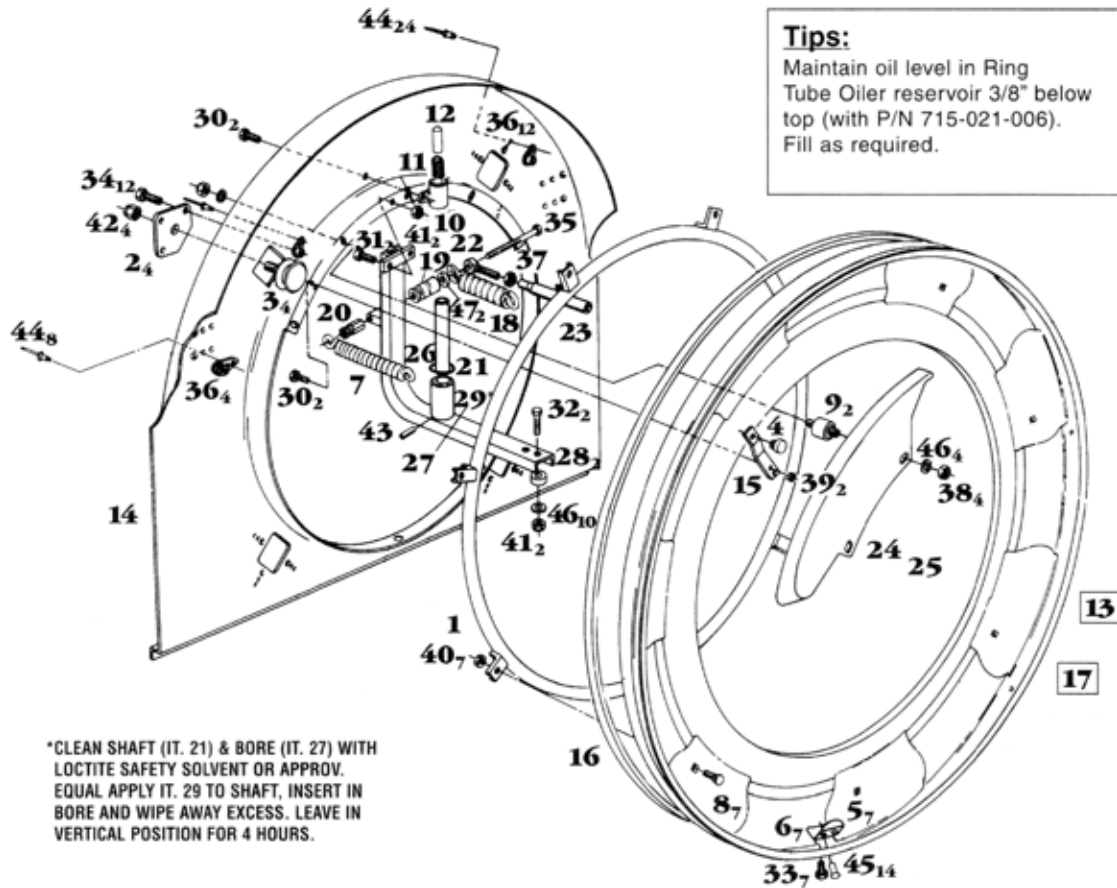


- Notes:
1. ADJUST PIT SUPPORT WELDMENT (IT. 36 DOWN TIGHT AGAINST FLANGE OF KICKBACK PLATE AND WELDED STOP.
  2. REPLACES ITEMS 36 & 37

KICKBACK ASSEMBLY – SIDE OPPOSITE BALL EXIT

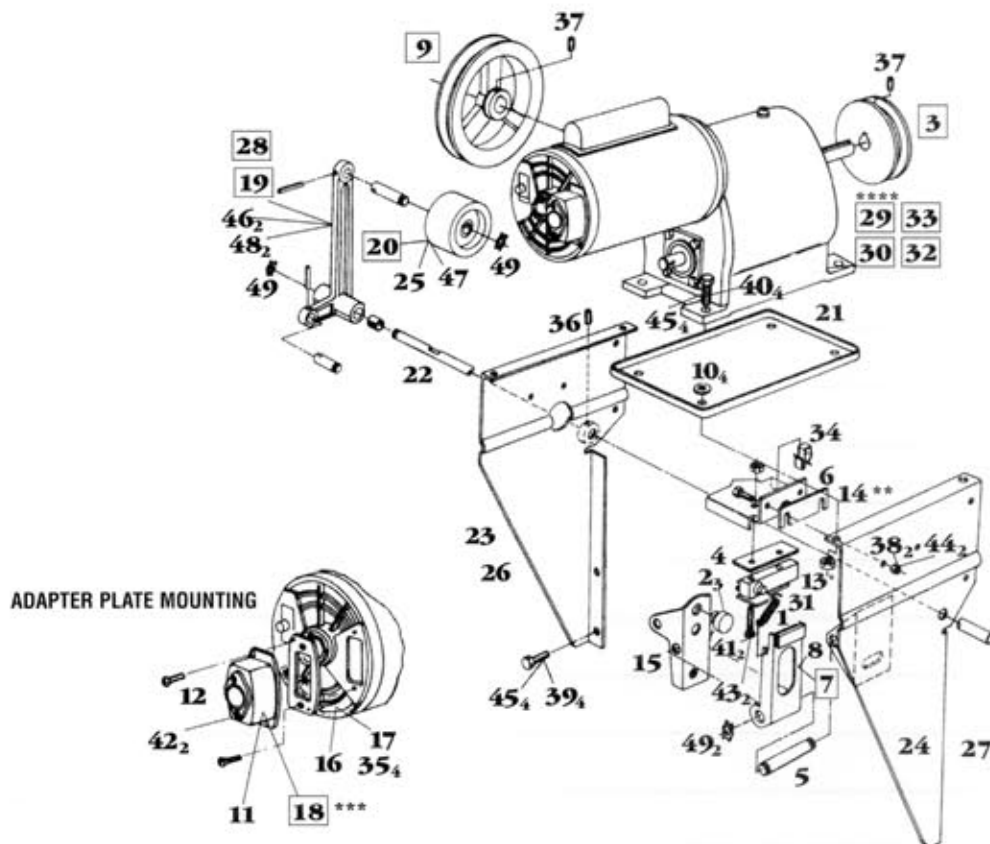
ITEM	PART NUMBER	DESCRIPTION	ITEM	PART NUMBER	DESCRIPTION
1	000-021-204	Spring	30	000-027-646	Bearing Assembly Bracket R.H. for L.H. Mach.
2	000-022-300	Shield	31	000-028-334	Washer
3	000-022-788	Support Box	32	000-029-015	Pivot Stud
4	000-022-794	Block-R.H. (Not Shown)	33	000-029-317	Pin Stop
5	000-022-795	Block-L.H.	34	008-100-413	Adhesive
6	000-022-878	Angle	35	070-002-027	Panel
7	000-022-924	Support Bearing	36	070-007-373	Pit Support Weldment-L.H. for R.H. Mach.
8	000-023-431	Clip-Bottom-L.H. (Not Shown)	37	070-007-375	Pit Support Weldment-R.H. for L.H. Mach.
9	000-023-432	Clip-Bottom-R.H.	38	709-007-037	Taper Bolt
10	000-023-464	Support Weldment-L.H. Rear Roller (Not Shown)	39	710-501-009	Grease Fitting
11	000-023-465	Support Weldment-R.H. Rear Roller	40	809-849-125	Screw, Hex Head Cap 1/4-20 x 3/4-Gr.8
12	000-023-467	Bearing, Flange	41	809-857-125	Screw, Hex Head Cap-5/16-18 x 3/4
13	000-023-468	Bracket	42	809-857-165	Screw, Hex Head-5/8-18 x 1
14	000-023-821	Clip Weldment	43	809-865-165	Screw, Hex Head Cap 3/8-16 x 1
15	000-024-507	Pin Ejector Assembly L.H. (Not Shown)	44	809-865-645	Screw, Hex Head Cap 3/8-16 x 4-Gr.8
16	000-024-508	Pin Ejector Assembly R.H.	45	839-665-002	Locknut-3/8-16
17	000-024-510	Bracket Assembly L.H. (Not Shown)	46	844-049-002	Stover Locknut-1/4-20
18	000-024-511	Bracket Assembly R.H.	47	844-057-002	Locknut-5/16-18
19	000-024-512	Spring-L.H. (Not Shown)	48	844-074-002	Locknut Stover
20	000-024-513	Spring-R.H.	49	900-112-203	Plain Sleeve Bearing
21	000-024-515	Bushing-Long	50	919-005-400	Retaining Ring
22	000-024-516	Bushing-Short	51	919-005-800	Retaining Ring
23	000-024-890	Jack Screw	52	937-000-000	Aluminum Drive Rivet (Not Shown)
24	000-025-803	Roller	53	937-738-003	Steel Rivet
25	000-025-804	Shaft	54	941-072-200	Flat Washer 1/2 x 1-1/4 x .083
26	000-026-464	Kickback Pit Bracket	55	948-767-132	Plain Washer
27	000-027-641	Thrust Bearing	56	951-164-002	Lockwasher
28	000-027-642	Washer-Front Roller	57	963-600-002	"X" Washer
29	000-027-645	Bearing Assembly Bracket L.H. for R.H. Mach.			

# Pin Elevator Assembly



ITEM	PART NUMBER	DESCRIPTION
1	000-020-855	Ring Weldment
2	000-021-210	Plate
3	000-021-211	Roller
4	000-021-992	Bumper
5	000-025-330	Pin Holding Bracket-L.H. (Not Shown)
6	000-025-331	Pin Holding Bracket-R.H.
7	000-026-032	Spring, Lateral Drive
8	000-027-014	Bolt-1/4-28 x 7/8
9	000-029-068	Rubber Mount
10	000-029-201	Oiler Body
11	000-029-202	Spring
12	000-029-203	Wick
13	070-001-129	Pin Wheel Assembly R.H.
14	070-001-207	Wheel Guard
15	070-001-415	Bracket
16	070-002-005	V-Belt
17	070-002-106	Pin Wheel Assembly L.H. (Not Shown)
18	070-006-030	Spring, Safety Link
19	070-006-043	Spacer Clamp
20	070-006-044	Nut, Spring Post
21	070-006-045	Distributor Support
22	070-006-046	Rod End
23	070-006-047	Safety Link Tube
24	070-006-098	Rail-R.H.
25	070-006-099	Rail-L.H. (Not Shown)
26	070-006-143	Spacer, Distributor
27	070-007-357	Channel Support Weldment
28	070-008-449	Spacer
29	700-107-170	Adhesive
30	809-849-125	Screw, Hex Head Cap 1/4-20 x 3/4-Gr. 8
31	809-857-165	Screw, Hex Head Cap 5/16-18 x 1
32	809-857-405	Screw, Hex Head Cap 5/16-18 x 2-1/2
33	809-858-085	Screw, Hex Head Cap 5/16-24 x 1/2-Gr. 8
34	809-858-125	Screw, Hex Head Cap 5/16
35	809-865-725	Screw, Hex Head 3/8-16 x 4-1/2-Gr. 8
36	830-358-002	Anchor Nut-ESNA-5/8-24
37	831-566-002	Nut-3/8-24 SAE 2
38	834-557-002	Nut, Hex Reg. 5/16-18
39	844-049-002	Nut, Stover-1/4-20-Gr. C
40	844-050-002	Locknut 1/4-28
41	844-057-002	Nut, Stover 5/16-18
42	844-074-002	Nut, Stover-1/2-20
43	913-437-280	Roll Pin-3/16 Dia. x 1-3/4 Lg-Steel
44	938-523-030	Pop Rivet
45	938-537-060	Pop Rivet 3/16 Dia.
46	948-761-112	Plain Washer-11/16 x 11/32 x 1/16
47	948-767-132	Plain Washer - 13/16 x 13/32 x 1/16

# Motor-Bracket Assembly



MOTOR-BRACKET ASSEMBLY

ITEM	PART NUMBER	DESCRIPTION	ITEM	PART NUMBER	DESCRIPTION
1	000-021-431	Spring	27	070-002-214	Motor Mount Bracket Weldment-L.H. Front (Not Shown)
2	000-021-992	Bumper	28	070-002-216	Belt Tightener Arm Assembly-L.H. (Not Shown)
3	000-022-172	Black End Drive Sheave	29****	070-006-212	R.H. Westinghouse 115/230V-50 Hz.
4	000-022-296	Insulator	30****	070-006-211	L.H. Westinghouse 115/230V-50 Hz. (Not Shown)
5	000-022-821	Pin	31	070-011-250	Sw. Protection Bracket
6	000-022-828	Switch Bracket	32****	610-704-042	L.H. Westinghouse 60 Hz. (Not Shown)
7	000-023-621	Sw. Lever Assembly	33****	610-704-043	R.H. Westinghouse 60 Hz.
8	000-023-625	Sw. Lever Bumper	34	724-501-072	Tinnerman Clip
9	000-023-673	Pin Elevator Sheave	35	760-015-038	Fl. Spade Terminal (Not Shown)
10	000-023-758	Gasket	36	807-357-080	Screw, Soc. Set, Kn. Cup Pt.-5/16-18 x 1/2
11	000-025-590	Receptacle Housing	37	807-358-060	Screw, Soc. Set, Kn. Cp. Pt. 5/16-24 x 3/8
12	000-025-906	Male Receptacle	38	809-849-125	Screw, Hex Head Cap 1/4-20 x 3/4
13*	000-026-043	Micro Switch	39	809-857-125	Screw, Hex Head Cap 5/16-18 x 3/4
14**	000-028-036	Shim	40	809-857-205	Screw, Hex Head Cap 5/16-18 x 1-1/4
15	000-029-624	Shock Mount Bracket	41	818-227-202	Screw, Rd. Head Sems #6-32 x 1-1/4
16	010-101-300	#16 Ga.-600V Wire (Not Shown)	42	823-126-062	Screw, Rd. Head Type A #6 x 3/8
17	010-101-309	#16 Ga.-600V Wire (Not Shown)	43	839-527-002	Locknut
18****	070-001-284	Housing & Receptacle Assembly	44	844-049-002	Stover Nut-1/4-20
19	070-002-004	Belt Tightener Arm Assembly-R.H.	45	844-057-002	Stover Nut 5/16-18
20	070-002-007	Belt Tightener Pulley Assembly	46	900-108-141	Sleeve Bearing
21	070-002-010	Drip Pan	47	900-208-161	Flanged Bearing
22	070-002-012	Pivot Shaft	48	913-437-160	Roll Pin-.187 x 1
23	070-002-074	Motor Mount Bracket Weldment-R.H. Rear	49	963-600-002	"X" Washer
24	070-002-084	Motor Mount Bracket Weldment-R.H. Front			
25	007-002-094	Pulley			
26	070-002-212	Motor Mount Bracket Weldment-L.H. Rear (Not Shown)			

\* Remove N.O. Contact Before Mounting  
 \*\* Use As Required To Obtain A Gap of .79 in. (2.39mm.) Between Item 7 and Item 15  
 \*\*\* Adapter Plate 785-501-208 & (2) #8-32 x 3/8 Flat Head Machine Screw To Be Used with Westinghouse Motors Only  
 \*\*\*\* See Price Book for Motor Exchange Program (see motor section for replacement parts)

