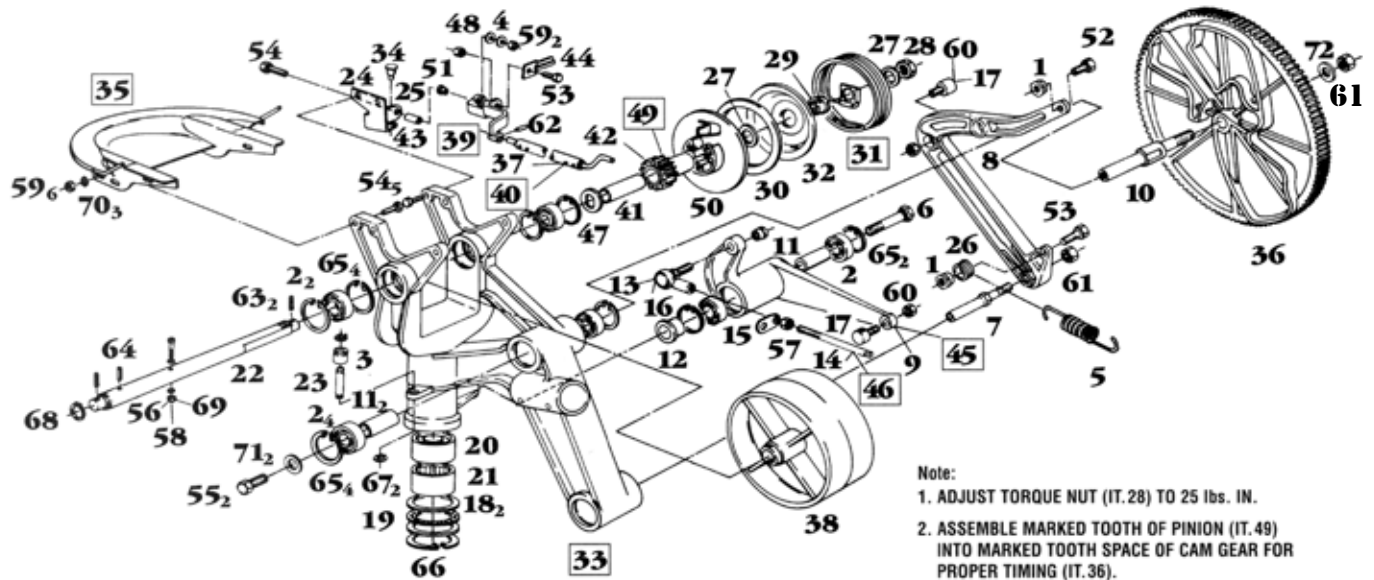


Distributor Assembly



Note:

1. ADJUST TORQUE NUT (IT.28) TO 25 lbs. IN.
2. ASSEMBLE MARKED TOOTH OF PINION (IT.49) INTO MARKED TOOTH SPACE OF CAM GEAR FOR PROPER TIMING (IT.36).

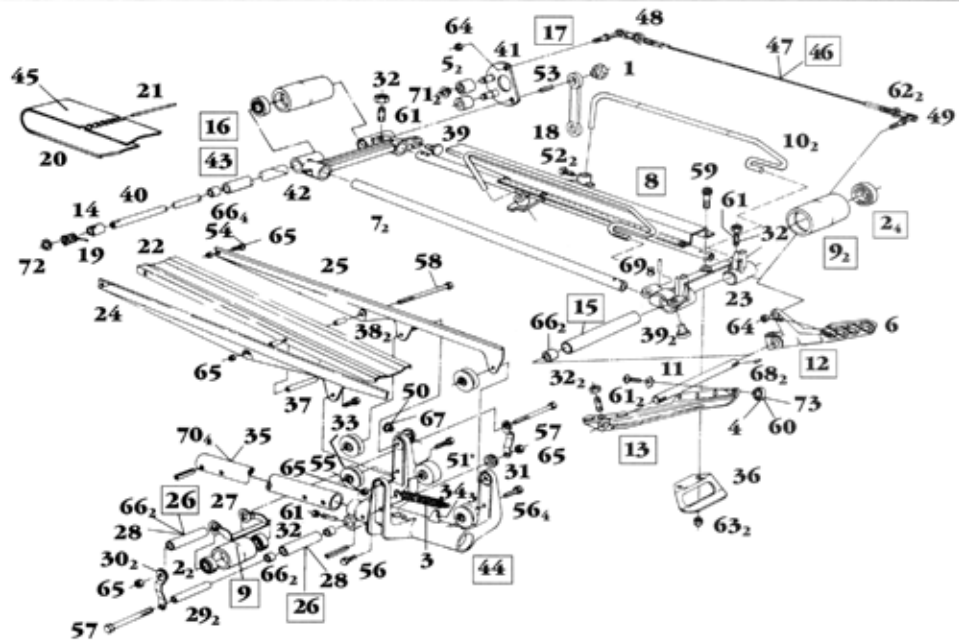
ITEM	PART NUMBER	DESCRIPTION
1	000-022-173	Nut, Special
2	000-024-679	Bearing
3	000-026-081	Spring Post Sleeve
4	000-026-865	Washer
5	070-006-034	Spring, Linear
6	070-006-048	Bolt, Special
7	070-006-049	Shaft Arm
8	070-006-051	Arm
9	070-006-052	Drive Arm
10	070-006-061	Shaft, Cam Support
11	070-006-064	Spacer Bearing
12	070-006-065	Clamp Race
13	070-006-066	Rod End, Female
14	070-006-067	Rod, Safety Link
15	070-006-068	Spring Support
16	070-006-069	Nut, Special
17	070-006-071	Cam Follower
18	070-006-073	Thrust Washer
19	070-006-074	Needle Thrust Bearing
20	070-006-075	Needle Bearing, Closed End
21	070-006-076	Needle Bearing, Open End
22	070-006-077	Shaft
23	070-006-082	Pin, Spring Post
24	070-006-084	Trip Stop Support Bracket
25	070-006-087	Sleeve-Pivot (31/32 Long)
26	070-006-111	Spring Post Sleeve
27	070-006-121	Washer
28	070-006-124	Nut, Special
29	070-006-125	Worm
30	070-006-126	Friction Disc
31	070-006-128	Spring Assembly
32	070-006-130	Clutch Plate, Drive
33	070-006-136	Main Casting & Bearing Assembly
34	070-006-142	Bumper
35	070-006-144	Orienter Pan Assembly
36	070-006-149	Cam Index
37	070-006-663	Trip Stop Rod Assembly
38	070-006-666	Pulley, Drive
39	070-006-667	Trip Support Casting Assembly
40	070-006-668	Trip Stop Rod & Support Casting Assembly
41	070-006-676	Sleeve
42	070-006-679	Bushing, Pinion
43	070-006-685	Pivot-(19/32 Lg.)
44	070-006-691	Stop Blade
45	070-007-119	Drive Arm Assembly (Lateral)
46	070-007-137	Rod Link Assembly
47	070-007-376	Washer, Thrust
48	070-007-651	Washer, Nylon
49	610-704-005	Pinion & Gear Sleeve Assembly
50	610-704-006	Kit, Clutch Plate Assembly
51	701-712-097	Press Bearing-Spyralign
52	809-849-100	Screw, SOFL 1/4-20 x 5/8" Lg.
53	809-849-125	Screw, Hex Head Cap 1/4-20 x 3/4" Lg.
54	809-849-205	Screw, Hex Head Cap 1/4-20 x 1-1/4 Lg.
55	809-857-080	Screw, Hex Head Cap 5/16-18 x 1/2 AC3
56	810-239-240	Screw, Soc. Head Cap. 10-24 x 1-1/2" Lg.
57	831-566-002	Nut, Hex-Reg. 3/8-24
58	840-039-002	Locknut 10-24
59	844-049-002	Locknut, Stover 1/4-20
60	844-050-002	Nut, Lock-Stover 1/4-28
61	844-073-002	Locknut, Stover 1/2-13
62	913-415-090	Roll Pin (0.94 x 9/16" Lg.)
63	913-437-140	Roll Pin (ESNA) 3/16" x 7/8" Lg.
64	914-037-206	Spiral Pin
65	919-000-600	Ring (Internal)
66	919-004-200	Ring (Internal)
67	919-005-300	Ring (External)
68	919-005-600	Ring (External)
69	948-745-082	Washer 7/32" ID x 1/2" OD x 3/64 Thk.
70	948-761-112	Washer, Plain 11/16" OD x 11/32 ID x 1/16" Thk.
71	948-753-102	Washer, 5/8" OD x 9/32 ID x 0.62 Thk.
72	948-975-172	Washer, 1-1/16 OD x 17/32 ID x 3/32 Thk.

Distributor Assembly

NOTE:

DISTRIBUTOR BELT REMOVAL

1. Remove belt tightener spring.
2. Locate belt lacing and remove belt pin. Distributor belt can now be removed from the distributor. The approximate belt length is $116\frac{1}{4} + \frac{1}{4}$ ".
3. To increase belt tension cut off one end of belt. Spring length will increase one-half of the amount cut off belt. (If one inch is cut off belt, spring length will increase one-half inch.)
4. Use clipper belt lacer 030-003-542 to install new clips on belt.



ITEM	PART NUMBER	DESCRIPTION
1	000-022-173	Nut, Special
2	000-024-679	Bearing
3	000-026-031	Spring, Belt Tightener
4	000-026-251	Bearing, Field Repl. For Item 6
5	070-001-857	Roller
6	070-004-176	Bearing (See Items 4, 60 & 73 for Replacement)
7	070-006-004	Tube
8	070-006-009	Belt Runner Support Assembly
9	070-006-011	Pulley Assembly
10	070-006-013	Pin Guide
11	070-006-014	Shaft
12	070-006-015	Trip Arm Assembly R.H.
13	070-006-016	Trip Arm Assembly (L.H.)
14	070-006-019	Collar
15	070-006-021	Tube Assembly-Front
16	070-006-022	Tube Assembly (Old Style)
17	070-006-028	Rocker Arm
18	070-006-029	Connecting Link
19	070-006-035	Spring
20	070-006-036	Belt Lacing
21	070-006-037	Belt Pin
22	070-006-042	Belt Runner, Rear
23	070-006-055	Carriage-Front
24	070-006-103	Support Guide L.H.
25	070-006-104	Support Guide R.H.
26	070-006-105	Tube Assembly
27	070-006-106	Tracking Bracket
28	070-006-107	Tube
29	070-006-108	Spacer
30	070-006-109	Link
31	070-006-111	Spring Post Sleeve
32	070-006-116	Clamp Stud
33	070-006-117	Bearing, Grooved-Concentric
34	070-006-118	Bearing, Grooved-Eccentric
35	070-006-120	Carriage Support Tube
36	070-006-137	Belt Guard
37	070-006-139	Spacer, Inner
38	070-006-140	Spacer, Outer
39	070-006-142	Bumper

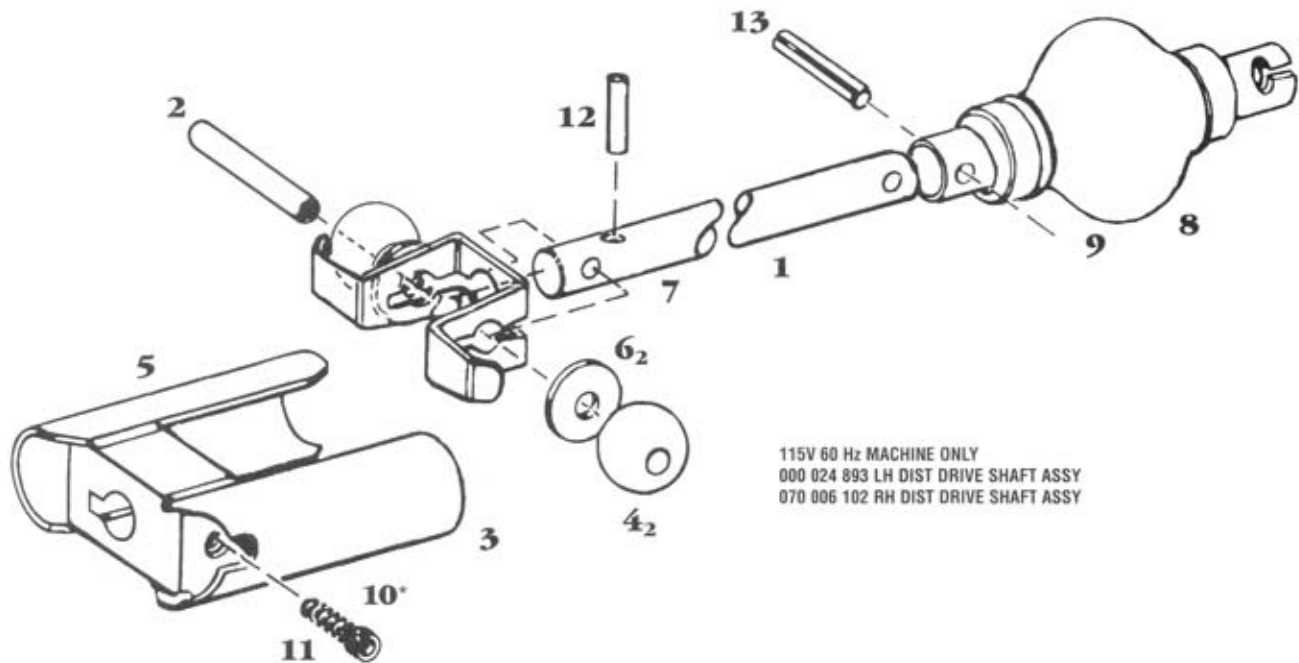
ITEM	PART NUMBER	DESCRIPTION
40	070-006-659	Shaft
41	070-006-661	Trip Rocker Arm Widm't.
42	070-006-672	Carriage, Rear
43	070-006-683	Tube Middle-Assembly (7-7/64" Long)
44	070-006-688	Carriage Support, Casting Assembly
45	070-006-757	Belt, (See note)
46	070-011-170	Trip Cable Assembly
47	070-011-171	Cable
48	070-011-172	Ball Joint Assembly (7/16")
49	070-011-173	Ball Joint Assembly (9/16)
50	701-710-098	Spyralign-Press Bearing
51*	701-849-124	Bearing Thrd'd Bore Concentric
52	806-249-060	Set Screw, Sq. Head Cup Pt. 1/4-20 x 3/8 Lg.
53	807-249-160	Set Screw, Soc. Head Cup Pt. 1/4-20 x 1"
54	808-549-200	Screw, Soc. Head Button 1/4-20 x 1-1/4" Lg.
55	809-849-125	Screw, Hex Head Cap 1/4-20 x 3/4" Lg.
56	809-849-165	Screw, Hex Head Cap 1/4-20 x 1" Lg.
57	809-849-605	Screw, Hex Head Cap 1.4-20 x 3-3/4 Lg.
58	809-849-885	Screw, Hex Head Cap 1/4-20 x 5-1/2" Lg.
59	810-239-160	Screw, Soc. Head Cap 10-24 x 1" Lg.
60	813-540-082	Screw, Phil. Head Truss 10-32 x 1/2" Lg. (Use with item 4)
61	834-549-002	Nut, Hex (Reg.) 1/4-20
62	835-549-002	Nut, Hex, Jam-1/4-20
63	840-039-002	Locknut 10-24
64	840-040-002	Locknut Thin #10-32
65	844-049-002	Locknut, Stover 1/4-20
66	900-106-081	Bearing
67	900-206-091	Oilite Bearing (Used on Old Carriage Support Assembly)
68	907-000-100	Key
69	913-437-140	Pin (ESNA) 3/16 x 7/8" Lg.
70	913-464-280	Roll Pin (ESNA) 3/8 x 1-3/4" Lg.
71	919-005-000	Retaining Ring
72	919-006-800	Ring, Retaining
73	957-100-002	Washer, Star (Use with item 4)

*NOTE: Roller must be all steel bearing on installations with MAGICSCORE.



Distributor Drive Shaft Assembly

Note: THIS SHAFT ASSEMBLY IS USED ON ALL 60 Hz. MOTORS



115V 60 Hz MACHINE ONLY
000 024 893 LH DIST DRIVE SHAFT ASSY
070 006 102 RH DIST DRIVE SHAFT ASSY

ITEM	PART NUMBER	DESCRIPTION
1	000-022-369	Shaft, L.H. Mach.
2	000-022-717	Pin
3	000-024-892	Ball Bearing Retainer
4	000-026-461	Ball Bearing
5	000-027-390	Housing Weldment (Dist. Drv.)
6	000-029-073	Washer
7	070-006-101	Shaft, R.H. Mach.

ITEM	PART NUMBER	DESCRIPTION
8	070-007-586	Universal Joint-Metal
9	070-008-004	Universal Joint-Plastic
10*	700-107-146	Thread Adhesive
11	807-358-060	Set Screw, Soc. Kn, Cup 5/16-24 x 3/8 Lg.
12	913-423-120	Roll Pin, ESNA, .125 1/8 Dia x 3/4 Lg.
13	913-437-120	Roll Pin, ESNA, .187 3/16 Dia. x 3/4 Lg.

* Apply to item 11.



Call (631) 582-5450 in NY or Fax (631) 582-5875. Outside the NY area 1-800-366-4JCP.