

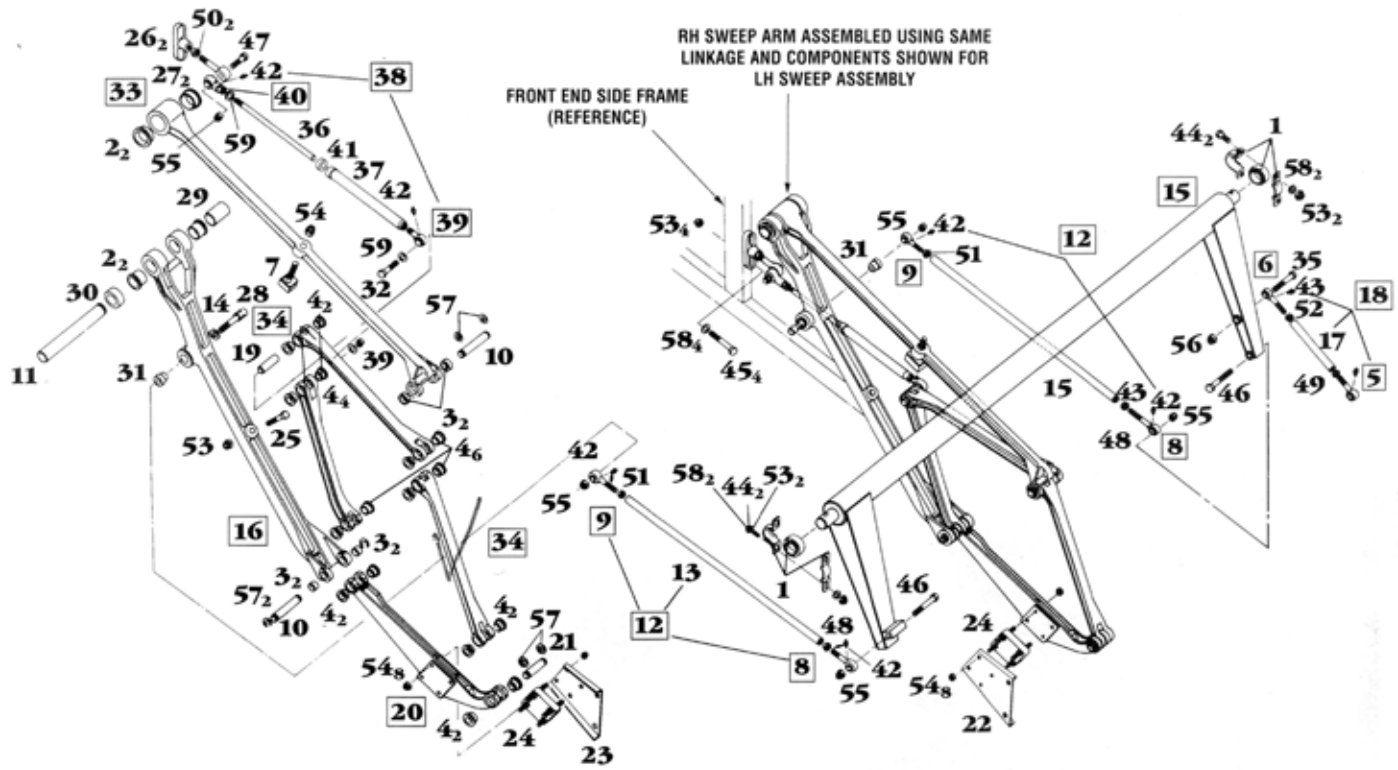
# Sweep Assembly Section

29A



SWEEP ASSEMBLY SECTION

# Sweep Assembly

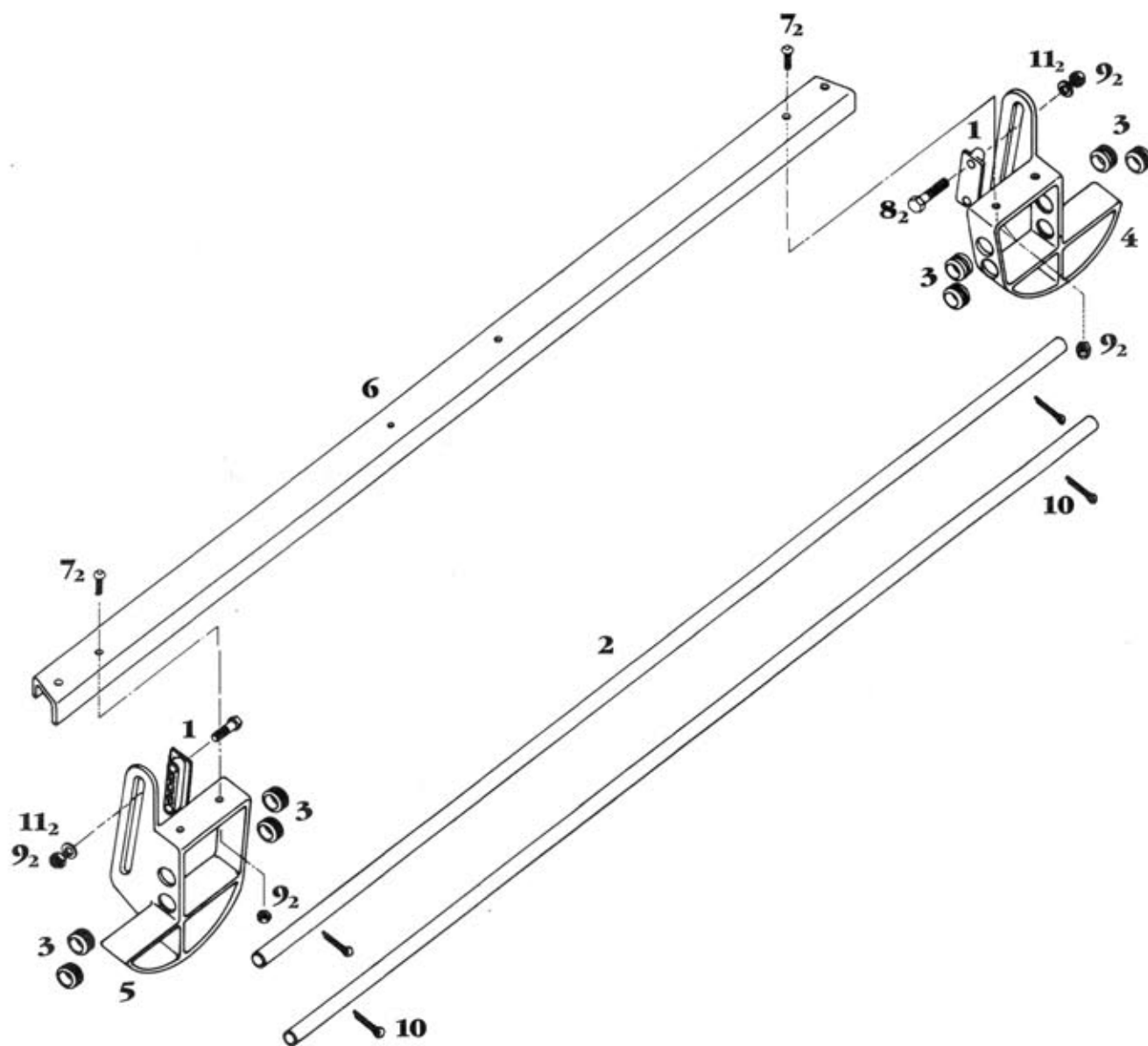


SWEEP ASSEMBLY

ITEM	PART NUMBER	DESCRIPTION	ITEM	PART NUMBER	DESCRIPTION
1	000-022-811	Pillow Block	31	070-003-234	Bushing Flanged
2	000-023-104	Flanged Bushing	32	070-003-235	Screw-Bearing
3	000-023-105	Sleeve Bushing	33	070-003-238	Stabilizing Link Assembly, (With Bearings)
4	000-023-114	Bushing Flanged	34	070-003-242	Link Assembly
5	000-023-160	End Fitting R.H. (With Grease Fitting)	35	070-003-245	Screw
6	000-023-161	End Fitting L.H. (With Grease Fitting)	36	070-007-276	Rod
7	000-023-216	Bumper	37	070-007-278	Tube Weldment
8	000-025-004	End Fitting R.H. (With Grease Fitting)	38	070-007-280	Telescoping Link Assembly
9	000-025-005	End Fitting L.H. (With Grease Fitting)	39	070-007-281	Rod End Male (With Grease Fitting)
10	070-003-103	Pin-Bearing	40	070-007-282	Rod End Female (With Grease Fitting)
11	070-003-106	Shaft Main Pivot	41	070-007-283	Bumper
12	070-003-115	Drive Link Connecting Rod Assembly	42	710-501-013	Grease Fitting
13	070-003-116	Tube	43	710-502-011	Grease Fitting
14	070-003-117	Spacer	44	809-865-285	Screw, Hex Head Cap (3/8-16 NC x 1-3/4 Lg.)
15	070-003-132	Sweep Rocker Arm Assembly	45	809-865-565	Screw, Hex Head Cap (3/8-16 NC x 3-1/2 )
16	070-003-158	Drive Link Assembly (With Bearings)	46	809-869-365	Screw, Hex Head Cap 7/16-14 x 2-1/4
17	070-003-159	Tube	47	809-869-405	Screw, Hex Head Cap 7/16-14 x 2-1/2
18	070-003-162	Motor Connecting Rod Assembly	48	835-570-002	Nut, Hex Jam 7/16-20 R.H. Thread
19	070-003-173	Sleeve Bearing	49	835-574-002	Nut, Hex Jam 1/2-20 R.H. Thread
20	070-003-184	Support Link Assembly (With Bushings)	50	835-582-002	Nut, Hex Jam 5/8-18
21	070-003-189	Pin-Bearing	51	835-670-002	Nut, Hex Jam 7/16-20 L.H. Thread
22	070-003-190	Shock Bracket R.H.	52	835-674-002	Nut, Hex Jam 1/2-20 L.H. Thread
23	070-003-191	Shock Bracket L.H.	53	839-665-002	Locknut 3/8-16
24	070-003-195	Shock Mount	54	844-057-002	Nut, Stover 5/16-18
25	070-003-221	Screw	55	844-069-002	Nut Stover Lock 7/16-14
26	070-003-222	Bracket Shock Mount	56	844-073-002	Nut Stover Lock 1/2-13
27	070-003-223	Link-Threaded	57	919-010-700	Retainer "E" Ring
28	070-003-231	Pin Bearing	58	948-761-112	Washer, Pl. (31/32 ID x 13/16 x 1/16 Thk.)
29	070-003-232	Spacer-Main Pivot-Long	59	949-100-002	Washer Flat 59/64 OD x 15/32 ID .062 Thk.
30	070-003-233	Spacer-Main Pivot Short			



# Sweep Bar Assembly

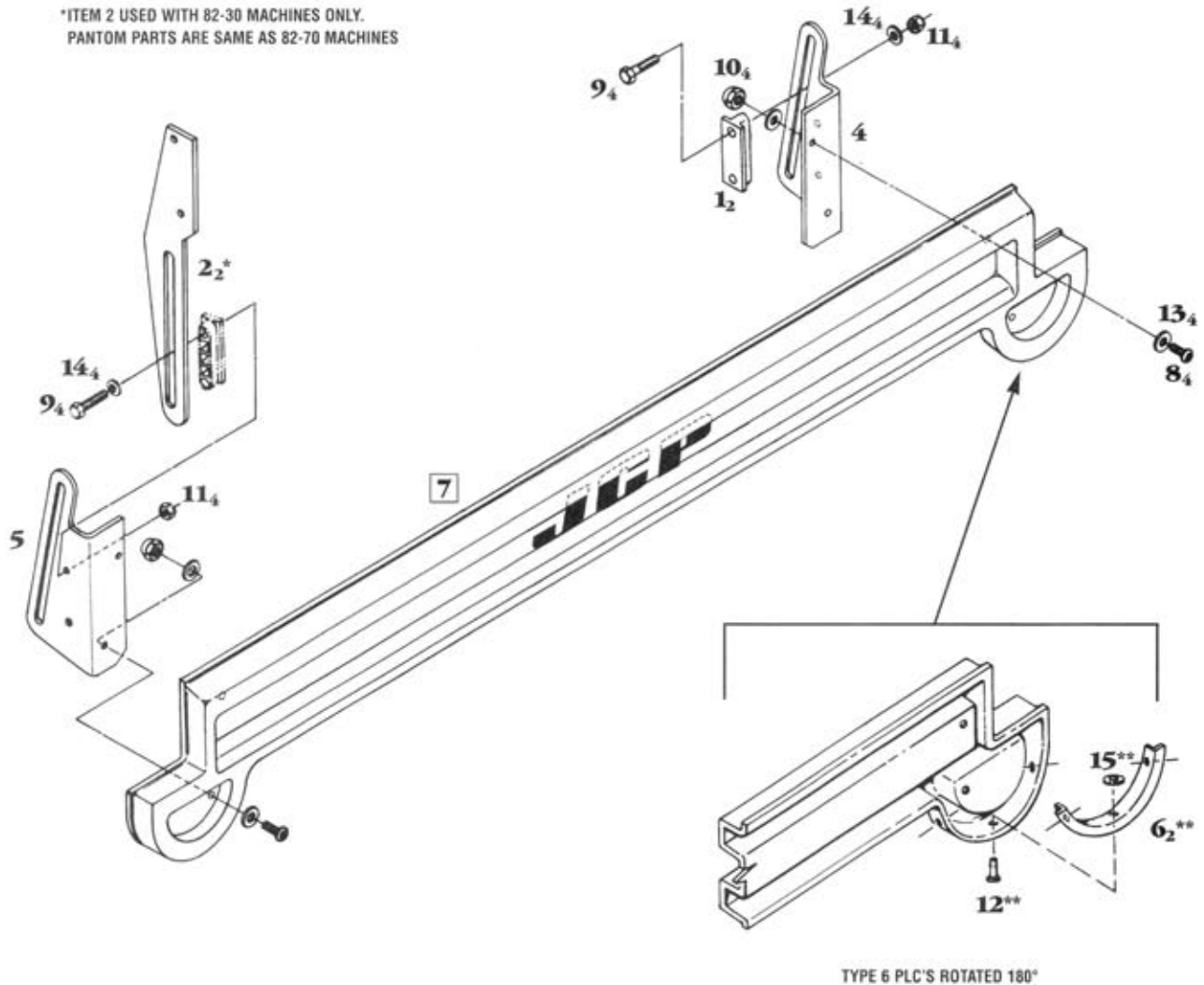


SWEEP BAR ASSEMBLY

ITEM	PART NUMBER	DESCRIPTION	ITEM	PART NUMBER	DESCRIPTION
1	000-023-182	Slide Bar	7	808-557-160	Screw, Soc. But. Head 5/16-18 x 1
2	070-003-180	Tube	8	809-857-245	Screw, Hex Head Cap, 5/16-18 x 1-1/2
3	070-003-236	Grommet	9	844-057-002	Nut, Stover Lock 5/16-18
4	610-700-079	Shield R.H.	10	911-023-202	Cotter Pin, 1/8 Dia. x 1-1/4
5	610-700-089	Shield L.H.	11	948-761-112	Flat Washer, 11/16 OD x 11/32 ID x 1/16 Thk.
6	610-700-099	Channel Bar			

# Sweep Bar Mounting Assembly

\*ITEM 2 USED WITH 82-30 MACHINES ONLY.  
PANTOM PARTS ARE SAME AS 82-70 MACHINES



SWEEP BAR MOUNTING ASSEMBLY

ITEM	PART NUMBER	DESCRIPTION
1	000-023-182	Slide Bar
2*	030-008-361	Hanger-Bracket
3	300-000-166	Insert Sweep "Logo"
4	300-000-170	Bracket-Sweep Mounting R.H.
5	300-000-171	Bracket-Sweep Mounting, L.H.
6**	300-000-175	Cap-Sweep Bar
7	300-000-182	Sweep Bar Assembly
8	808-557-140	Screw, Soc. Butt. Head 5/16-18 x 7/8
9	809-857-245	Screw, Hex Head Cap 5/16-18 x 1-1/2 (GR-8)
10	830-057-002	Nut, Acorn 5/16-18 (Plated)
11	844-057-002	Nut, Stover Lock 5/16-18
12**	938-637-100	Rivet-Pop 3/16 Dia. Aluminum
13	948-722-111	Washer Flat, Black oxide, 11/16 OD x 11/32 ID x 1/16 Thk.
14	948-761-112	Washer-Flat 11/16 OD x 11/32 ID x 1/16 Thk.
15**	949-537-068	Washer-Backup-3/16 Pop Rivet

\*\*Not used with JCP Sweep Assembly.



Call (631) 582-5450 in NY or Fax (631) 582-5875. Outside the NY area 1-800-366-4JCP.