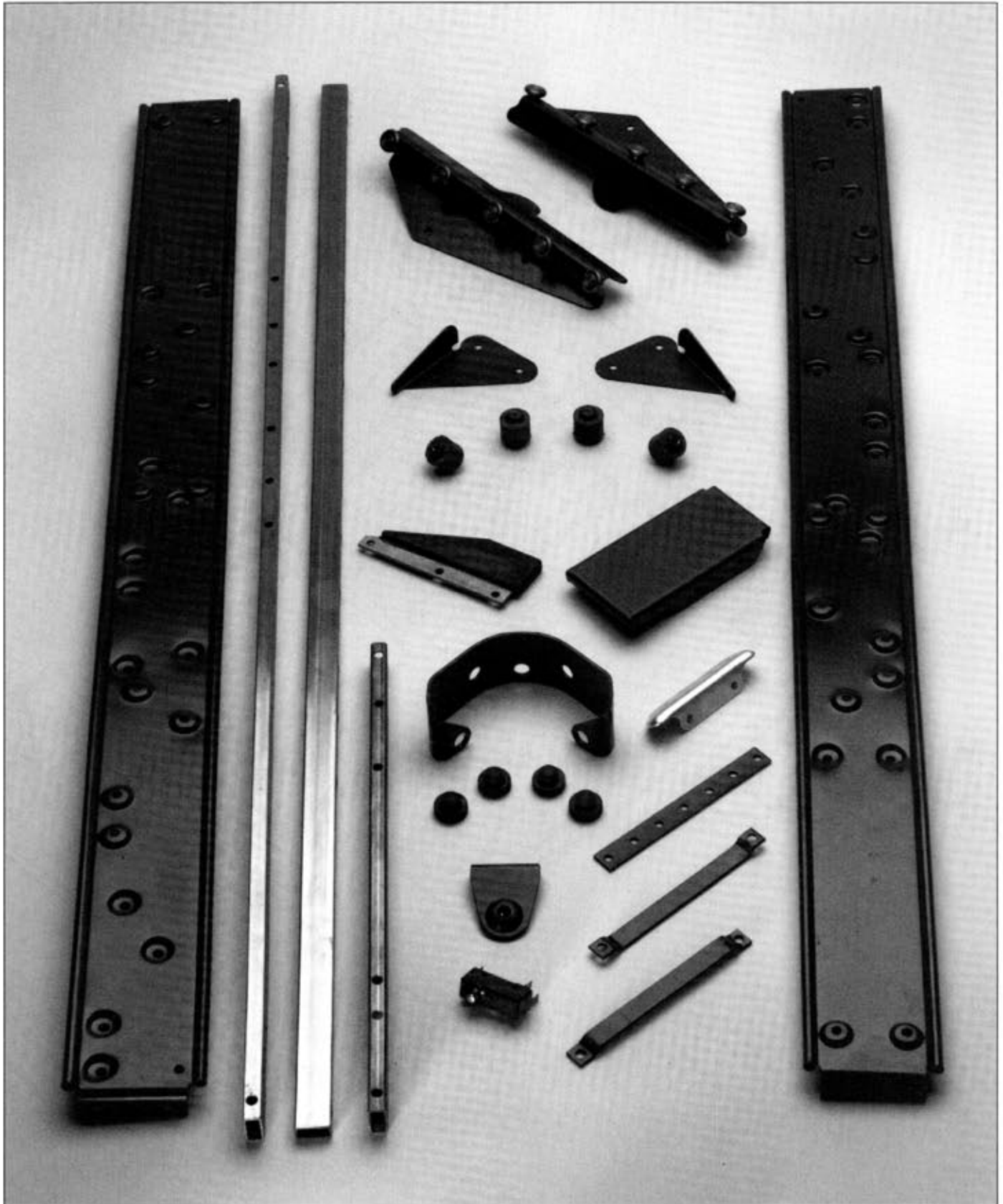


Shuttle Bin Assembly Section

25A

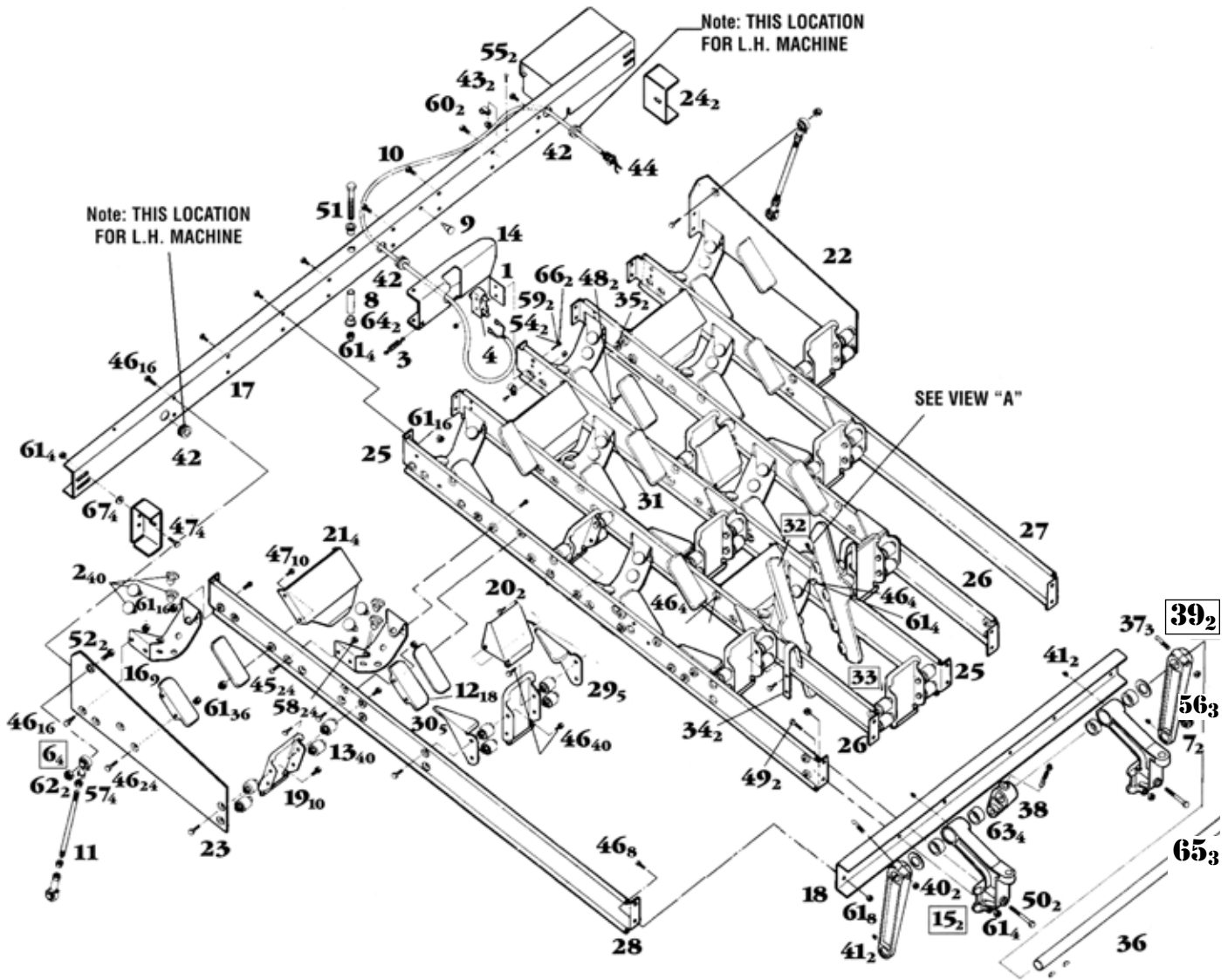


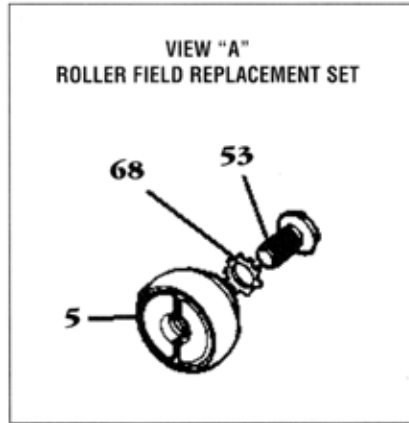
SHUTTLE BIN ASSEMBLY SECTION

Bin Assembly

26

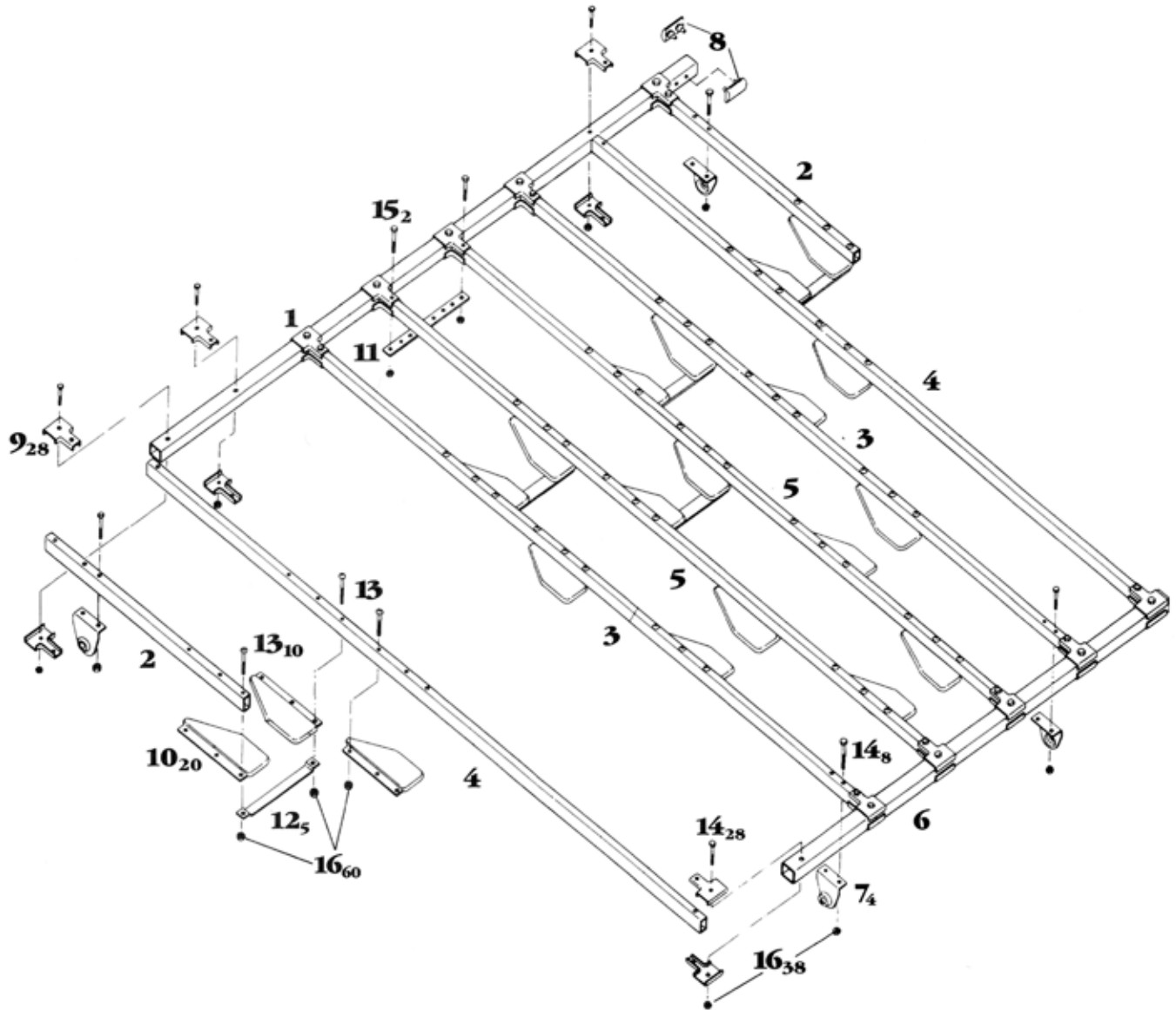
BIN ASSEMBLY





ITEM	PART NUMBER	DESCRIPTION	ITEM	PART NUMBER	DESCRIPTION
1	000-021-575	Insulator	35	070-006-390	Spacer
2	000-021-992	Bumper	36	070-006-402	Shaft
3	000-022-168	Spring	37	070-006-403	Stud Clamp
4	000-026-043	Switch	38	070-006-408	Lever Bin Assembly
5	000-026-251	Bearing (Roller) (Threaded for field use only)	39	070-006-429	Shuttle Operating Arm Assembly
6	000-026-446	Rod End with 710-502-010 Lube Fitting	40	701-329-050	Washer-Thrust Oilite
7	000-029-614	Helm-Unibal.	41	710-501-007	Grease Fitting
8	070-006-108	Spacer	42	711-516-020	Grommet
9	070-006-142	Bumper	43	744-203-014	Nyloclip
10	070-006-272	Bin Switch Cable	44	746-001-016	Connector, Straight
11	070-006-351	Rod	45	808-549-080	Screw, Button Soc. Head Cap 1/4-20 x 1/2
12	070-006-353	Pin Guide	46	809-849-085	Screw, Hex Head Cap 1/4-20 x 1/2
13	070-006-354	Shock Mount	47	809-849-125	Screw, Hex Head Cap 1/4-20 x 3/4
14	070-006-356	Switch Actuator	48	809-849-165	Screw, Hex Head Cap 1/4-20 x 1
15	070-006-358	Bracket Assembly-Bin Assembly	49	809-849-285	Screw, Hex Head Cap 1/4-20 x 1-3/4
16	070-006-359	Pin Head Bracket	50	809-849-485	Screw, Hex Head Cap 1/4-20 x 3
17	070-006-361	Channel Weldment	51	809-849-605	Screw, Hex Head Cap 1/4-20 x 3-3/4
18	070-006-363	Channel Short	52	809-865-165	Screw, Hex Head Cap 3/8-16 x 1
19	070-006-364	Spacer-Pin Butt Guide	53	813-540-082	Screw Phillips Truss Head 10-32 x 1/2
20	070-006-365	Spacer Pin Guide (4&6)	54	818-227-162	Screw, Sems Round Head 6-32 x 1
21	070-006-366	Spacer Pin Head Guide	55	818-233-082	Screw, Sems Round Head 8-32 x 1/2
22	070-006-369	Pin Guide R.H.	56	831-565-002	Hex Nut Std. 3/8-16
23	070-006-370	Pin Guide L.H.	57	835-566-002	Nut, Hex Jam 3/8-24
24	070-006-371	Bracket Support	58	840-049-002	Locknut 1/4-20 NC
25	070-006-372	Stringer Center R.H. & L.H. (3+5)	59	843-127-002	Nut Kep 6-32
26	070-006-373	Stringer Center L.H. & R.H. (2+4)	60	843-133-002	Nut-Kep 8-32
27	070-006-376	Stringer Outside R.H. (1)	61	844-049-002	Nut, Hex Lock Stover 1/4-20
28	070-006-377	Stringer Outside L.H. (6)	62	844-065-002	Nut, Hex Lock 3/8-16
29	070-006-380	Pin Guide No. 4 Pin	63	900-114-101	Bearing Sleeve
30	070-006-381	Pin Guide No. 6 Pin	64	900-206-091	Flange Bearing
31	070-006-384	Bracket Weldment Pin Head (#5)	65	907-000-600	Key
32	070-006-386	Track Assembly L.H.	66	948-631-062	Flat Washer 3/8 OD x 5/32 ID x .046 Thk.
33	070-006-388	Track Assembly R.H.	67	948-753-102	Flat Washer 5/8 OD x 9/32 ID x .062 Thk.
34	070-006-389	Guide No. 1 Pin	68	957-100-002	Washer Shake Proof Ext. #10

Shuttle Assembly



ITEM	PART NUMBER	DESCRIPTION
1	070-006-253	Tube, Cross (Long)
2	070-006-254	Tube, Side (Short)
3	070-006-255	Tube, Side (Long)
4	070-006-256	Tube, Outside
5	070-006-257	Tube, Center
6	070-006-258	Tube, Cross (Short)
7	070-006-259	Bracket, Arm
8	070-006-260	Bumper, Counter

ITEM	PART NUMBER	DESCRIPTION
9	070-006-261	Clamp, End
10	070-006-265	Pin Holder Assembly
11	070-006-266	Strap, (7) Hole
12	070-006-268	Strap, (Rev A) (With 5-7-8-9-10 Pin)
13	808-549-240	Screw, Soc. Button Head (1/4-20 x 1-1/2 Lg.)
14	809-849-245	Screw, Hex Head Cap (1/4-20 x 1-1/2 Lg.)
15	809-849-285	Screw, Hex Head Cap (1/4-20 x 1-3/4 Lg.)
16	844-049-002	Nut, Hex Lock Stover 1/4-20