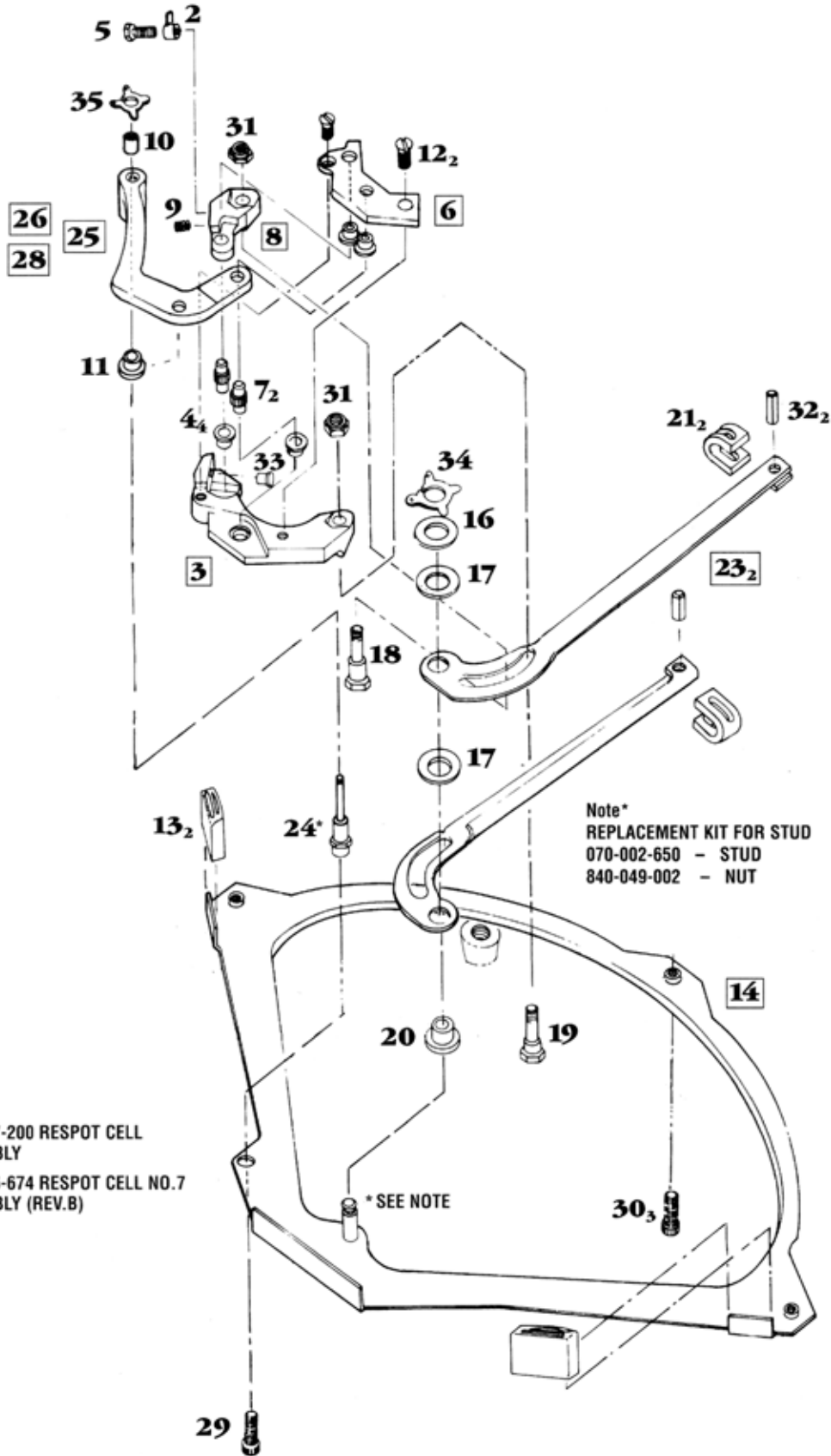


# No. 7 Cell Respot Cell Assembly

CELL ASSEMBLY - RESPOT



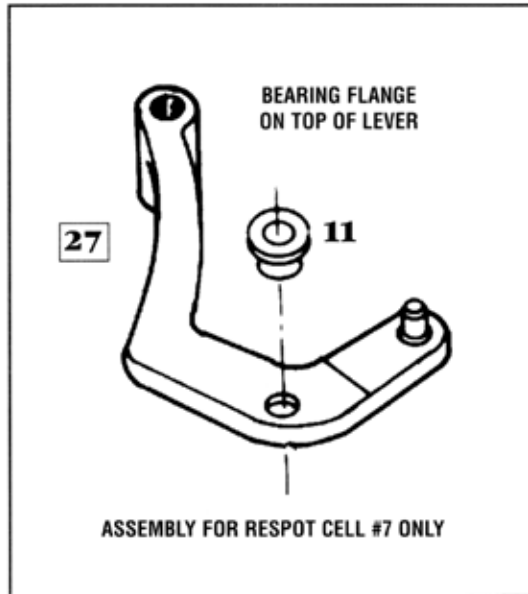
**22** 070-007-200 RESPOT CELL ASSEMBLY

**15** 070-006-674 RESPOT CELL NO.7 ASSEMBLY (REV.B)

Note\*  
REPLACEMENT KIT FOR STUD  
070-002-650 - STUD  
840-049-002 - NUT

\* SEE NOTE

30<sub>3</sub>



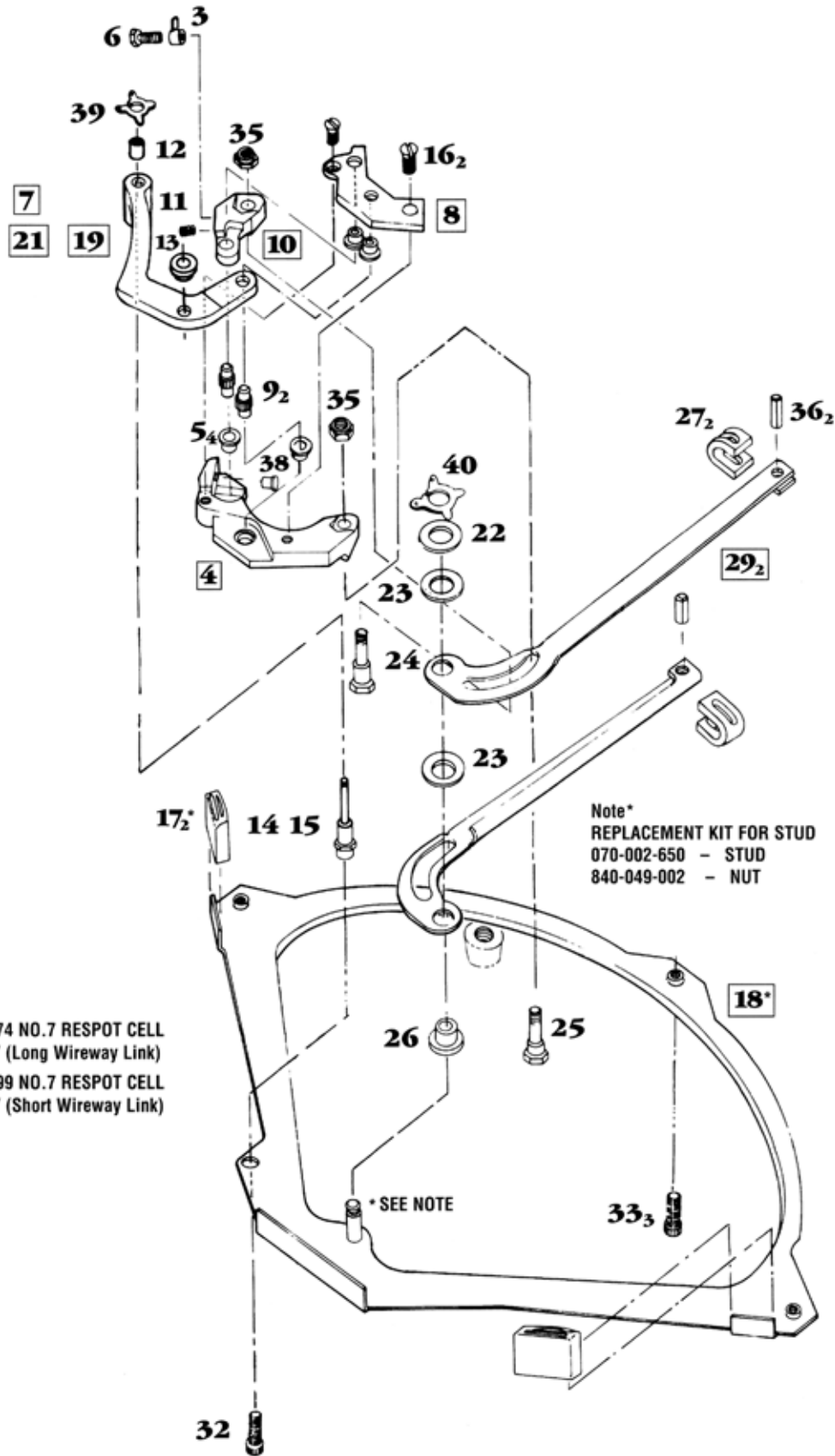
ITEM	PART NUMBER	DESCRIPTION	ITEM	PART NUMBER	DESCRIPTION
1**	008-100-413	Adhesive	21	070-007-197	Insert
2	070-002-570	Insert, Assembly	22	070-007-200	Respot Cell Assembly Complete (For cells 1 thru 6 and 8 thru 10)
3	070-002-629	Yoke, Arm Assembly (With item 33)	23	070-007-261	Finger Assembly (Finger with items 21 & 32)
4	070-002-630	Bushing Yoke	24*	070-007-617	Stud-Pivot (5/16 Dia. Shaft)
5	070-002-632	Screw, Stop	25	070-007-618	Lever Assembly (9 cells) (With item 11 underside and 7)
6	070-002-644	Plate-Assembly (With item 4)	26	070-007-619	Respot Yoke Assembly (Must Order 070-002-647 with items 3, 6, 8, 9, 12 & 25)
7	070-002-645	Shaft	27	070-007-620	Lever Assembly #7 cell (With item 11 above and 7)
8	070-002-646	Arm Assembly Respot Yoke (With items 2, 5 & 7)	28	070-007-621	Respot Yoke Assembly for Respot Cell 7 only (With items 3, 6, 8, 9, 12 & 27)
9	070-002-649	Spring Yoke Arm	29	808-640-121	Screw, Soc. Head Cap #10-32 x 3/4
10	070-002-652	Bushing Sleeve	30	808-640-141	Screw, Soc. Head Cap #10-32 x 7/8
11	070-002-653	Bushing	31	844-049-002	Stover Locknut 1/4-20 Auto Gr.C.
12	070-002-750	Screw	32	913-437-100	Spring Pin 3/16 Dia. x 5/8 Lg.
13	070-002-752	Bumper Extrusion	33	933-623-050	Rivet-Yoke
14	070-002-792	Frame Respot Weld	34	963-200-002	X-Washer
15	070-006-674	Respot Cell Assembly Complete (For #7 cell only)	35	963-400-002	X-Washer
16	070-007-192	Washer			
17	070-007-193	Spacer			
18	070-007-194	Stud-Long			
19	070-007-195	Stud-Short			
20	070-007-196	Bushing			

\* With Item #24, No Bushings used in Boss of item 25 or 27.

\*\* Cement item #12 to item #13 with item #1.

# No. 7 Respot Cell Assemblies

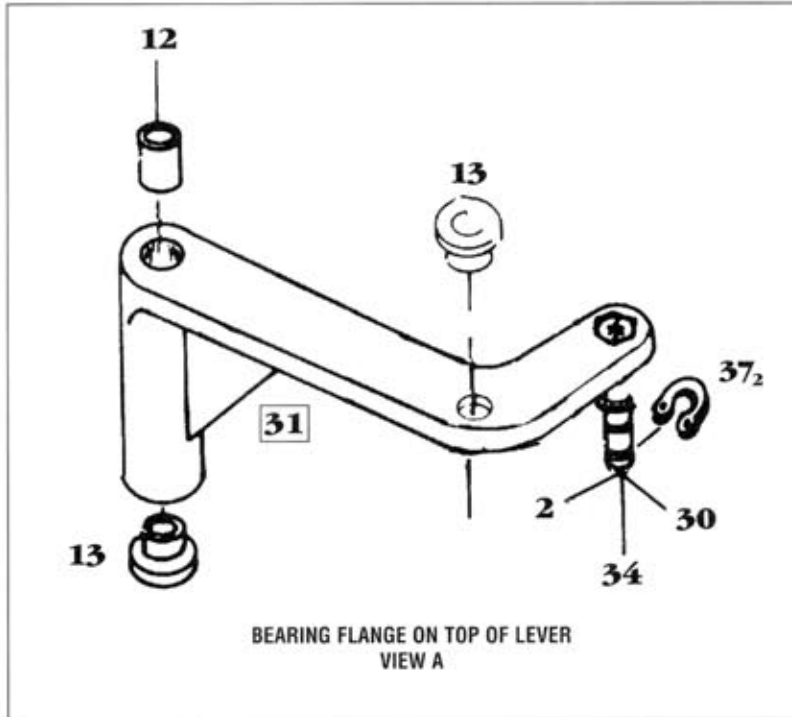
No. 7 RESPOT CELL ASSEMBLIES



- 20** 070-006-674 NO.7 RESPOT CELL ASSEMBLY (Long Wireway Link)
- 28** 070-007-199 NO.7 RESPOT CELL ASSEMBLY (Short Wireway Link)

Note\*  
REPLACEMENT KIT FOR STUD  
070-002-650 - STUD  
840-049-002 - NUT

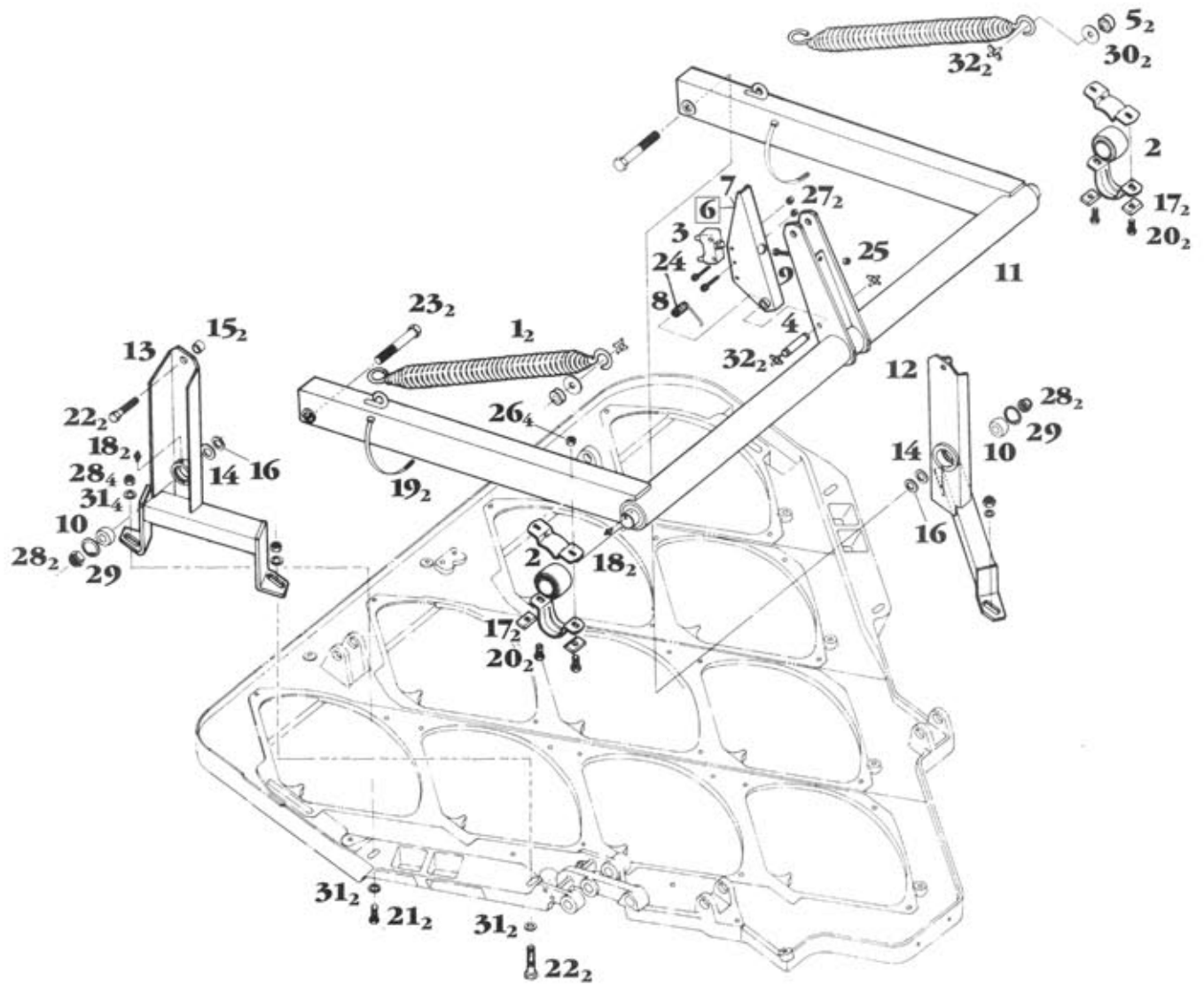
# No. 7 Respot Cell Assemblies



ITEM	PART NUMBER	DESCRIPTION	ITEM	PART NUMBER	DESCRIPTION
1	008-100-413	Adhesive	21	070-006-677	Respot Yoke Assembly (With items 4, 8, 10, 11, 16 & 19) (Must order parts)
2	070-002-531	Washer-Respot	22	070-007-192	Washer
3	070-002-570	Insert, Assembly	23	070-007-193	Spacer
4	070-002-629	Yoke, Assembly (With items 5 & 38)	24	070-007-194	Stud-Long
5	070-002-630	Bushing	25	070-007-195	Stud-Short
6	070-002-632	Screw, Stop	26	070-007-196	Bushing
7	070-002-642	Yoke Assembly (With items 4, 8, 10, 11, 16 & 31)	27	070-007-197	Insert
8	070-002-644	Plate-Yoke (With item 5)	28	070-007-199	Respot Cell Assembly Complete #7 Cell (Used with 070-002-767 Short Wireway Link)
9	070-002-645	Shaft	29	070-007-261	Finger Assembly
10	070-002-646	Arm Respot Yoke (With items 3, 6 & 9)	30	070-008-154	Pin
11	070-002-649	Spring	31	610-704-026	Kit Lever Respot Arm (View A) (With items 12, 13, 30 & 34)
12	070-002-652	Bushing Sleeve	32	808-640-121	Screw, Soc. Head Cap #10-32 x 3/4
13	070-002-653	Bushing	33	808-640-141	Screw, Soc. Head Cap #10-32 x 7/8
14	070-002-654	Stud-Pivot (1/4" Dia.)	34	835-558-002	Nut, Hex Jam 5/16-24 NC
15	070-002-685	Stud-Pivot (1/4" Dia. with Shoulder - used with item 31)	35	844-049-002	Stover, Locknut 1/4-20
16	070-002-750	Screw	36	913-437-100	Spring Pin 3/16 Dia. x 5/8 Lg.
17	070-002-752	Bumper Extrusion	37	919-010-200	Retaining Ring
18	070-002-792	Frame Respot Weld	38	933-623-050	Rivet
19	070-006-673	Lever Respot Arm (With items 9, 12 & 13)	39	963-100-002	X-Washer
20	070-006-674	Respot Cell Assembly Complete #7 Cell (Used with 070-006-669 Long Wireway Link)	40	963-200-002	X-Washer

\*Cement item #17 to item #18 with item #1.

# Table Torque Tube Assembly – New Style



ITEM	PART NUMBER	DESCRIPTION
1	000-022-782	Spring
2	000-022-811	Pillow Block (Bearing & Stampings)
3	000-026-042	Switch Micro
4	070-001-591	Pin
5	070-001-668	Roller, Spring
6	070-001-770	Lever Assembly – Table Arm Over Travel (Must order 070-001-852)
7	070-001-852	Lever
8	070-001-853	Spring
9	070-001-854	Screw
10	070-002-698	Bearing, Spherical .625 x 1.562 x 7/8
11	070-006-718	Torque Tube Weldment
12	070-007-295	Table Support Weldment-R.H.
13	070-007-296	Table Support Weldment-L.H.
14	070-007-302	Spacer (5/8 ID)
15	070-007-303	Spacer (7/16 ID)
16	070-007-752	Spacer

ITEM	PART NUMBER	DESCRIPTION
17	070-008-182	Bearing Block
18	710-501-009	Grease Fitting
19	770-011-010	Ty-Rap (14.19" Lg.)
20	809-865-245	Screw, Hex Head Cap 3/8-16 x 1-1/2 Lg.
21	809-869-245	Screw, Hex Head Cap 7/16-14 NC x 1-1/2
22	809-869-325	Screw, Hex Head Cap 7/16-14 x 2 Lg.
23	809-881-640	Screw, Hex Head Cap 5/8-11 x 4" Lg.
24	818-227-202	Screw, Sems Rd. Head (#6-32 x 1-1/4 Lg.)
25	839-549-002	Locknut (1/4-20 NC)
26	840-065-002	Locknut 3/8-16
27	843-127-002	Nut, Keps (#6-32)
28	844-069-002	Nut, Lock Stover 7/16-14
29	919-000-700	Retaining Ring
30	945-867-242	Washer 1.50 OD x .406 ID x .505 Thk.
31	949-100-002	Washer 59/64 OD x 15/32 ID x 1/16 Thk.
32	963-400-002	X-Washer

# Table Torque Tube Assembly – Old Style

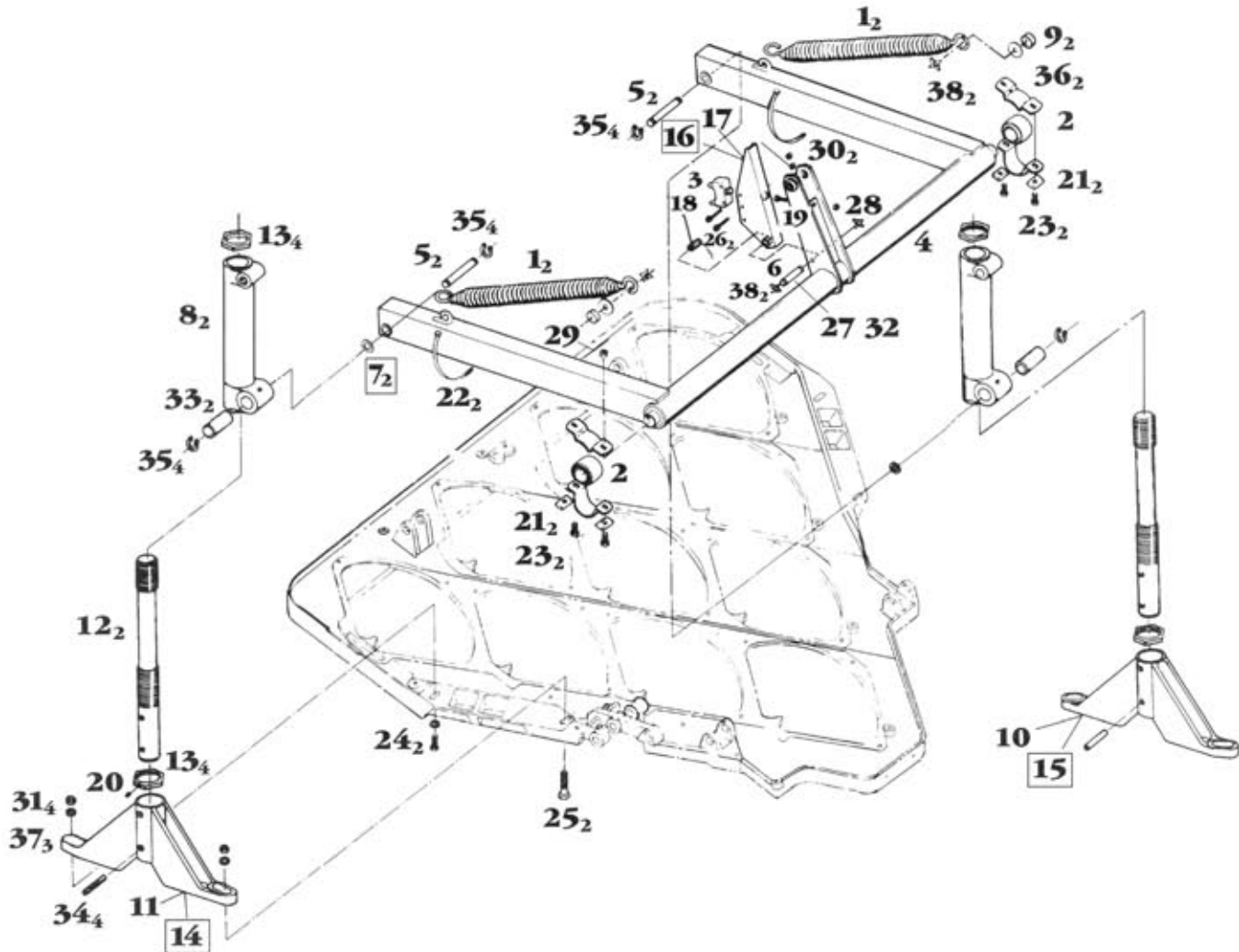


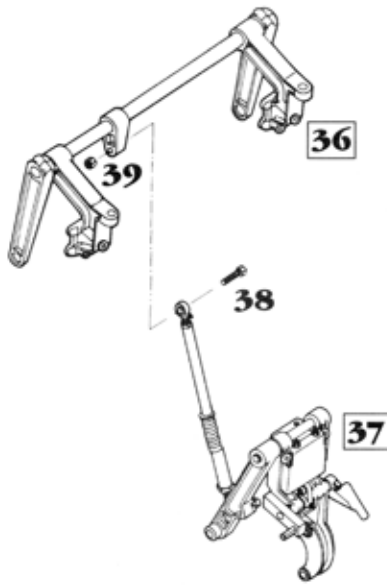
TABLE TORQUE TUBE ASSEMBLY – OLD

ITEM	PART NUMBER	DESCRIPTION	ITEM	PART NUMBER	DESCRIPTION
1	000-022-782	Spring	19	070-001-854	Screw
2	000-022-811	Pillow Block (Bearing & Stamping)	20	070-001-909	Set Screw
3	000-026-042	Micro Switch	21	070-008-182	Bearing Block
4	070-001-550	Table Torque Tube	22	770-011-010	Ty-Rap (14.19" Lg.)
5	070-001-583	Pin	23	809-865-245	Screw, Hex Head Cap (3/8-16 x 1-1/4 Lg.)
6	070-001-591	Pin	24	809-869-365	Screw, Hex. Head Cap. (7/16-14 x 2-1/4)
7	070-001-609	Spacer	25	809-869-445	Screw, Hex. Head Cap. (7/16-14 x 2-3/4)
8	070-001-656	Sleeve (Must order 14 & 15)	26	818-227-202	Screw, Sems Rd. Head (#6-32 x 1-1/4 Lg.)
9	070-001-668	Roller, Spring	27	839-057-002	ESNA Lock Nut 5/16-18 (used with item 32)
10	070-001-670	Foot-R.H. (Must order Item #15)	28	839-549-002	Locknut 1/4-20
11	070-001-671	Foot-L.H. (Must order Item #14)	29	840-065-002	Locknut (3/8-16)
12	070-001-677	Tube	30	843-127-002	Nut, Keps (#6-32)
13	070-001-679	Nut	31	844-069-002	Nut, Lock Stover 7/16-14
14	070-001-682	Table Support Assembly L.H. (Items 8, 11, 12, 13, 20, 33 & 34)	32	880-457-240	Shoulder Screw (used with item 27)
15	070-001-684	Table Support Assembly R.H. (Items 8, 10, 12, 13, 20, 33 & 34)	33	900-110-403	Bushing
16	070-001-770	Lever Assembly – Table Arm Over Travel (Must order 070-001-852)	34	913-456-320	Roll Pin ESNA
17	070-001-852	Lever	35	919-010-700	Retaining Ring
18	070-001-853	Spring	36	945-867-242	Washer (1.50 OD x .406 ID x .505 Thk.)
			37	949-100-002	Washer (59/64 OD x 15/32 ID x 1/16 Thk.)
			38	963-400-002	X-Washer (9000-12)



# Spot and Respot Tie Rod Installation

## CONNECTING ROD INSTALLATION



## SPOT & RESPOT TIE ROD INSTALLATION

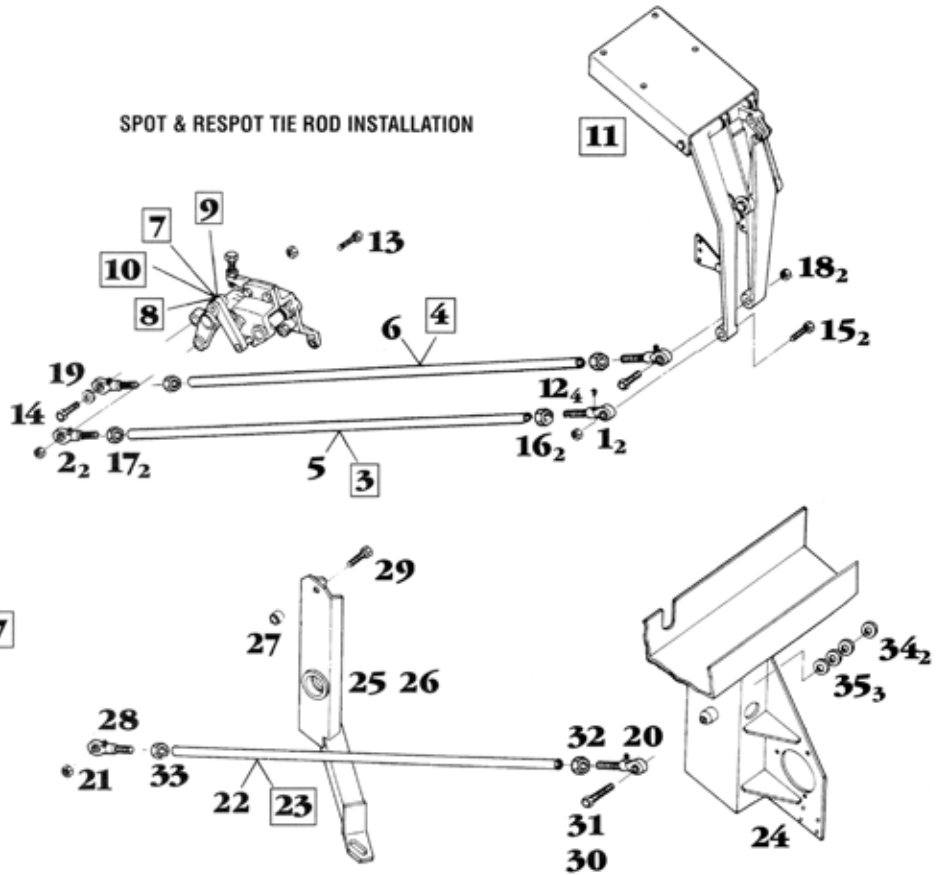


TABLE TIE ROD INSTALLATION R.H. (L.H. NOT SHOWN)

ITEM	PART NUMBER	DESCRIPTION
<b>(A) SPOT &amp; RESPOT TIE ROD INSTALLATION</b>		
1	000-025-004	End Fitting R.H.
2	000-025-005	End Fitting L.H.
3	070-001-601	Respot Tie Rod Assembly (31-5/8 Lg. Center to Center)
4	070-001-602	Spot Tie Rod Assembly (34-5/8 Lg. Center to Center)
5	070-001-606	Tie Rod
6	070-001-607	Tie Rod
7	070-002-578	Spot Lever Assembly
8	070-002-595	Respot Link Assembly (Must order parts)
9	070-002-727	Shifter Link Assembly
10	070-002-728	Cam Link Assembly
11	070-006-499	Spot-Respot Link Assembly (Must order parts)
12	710-501-013	Grease Fitting
13	809-869-245	Screw, Hex Head Cap 7/16-14 x 1-1/2
14	809-869-285	Screw, Hex Head Cap 7/16-14 x 1-3/4
15	809-869-365	Screw, Hex Head Cap 7/16-14 x 2-1/4
16	835-570-002	Nut, Hex Jam 7/16-20
17	835-670-002	Nut, Hex Jam 7/16-20 L.H.
18	844-069-002	Locknut, Stover 7/16-14
19	949-100-002	Washer Plain 15/32 x 59/64 x 1/16

ITEM	PART NUMBER	DESCRIPTION
<b>(B) TABLE TIE ROD INSTALLATION R.H.</b>		
20	000-025-004	End Fitting R.H.
21	000-025-005	End Fitting L.H.
22	070-001-557	Tie Rod (33-1/2 Lg)
23	070-001-558	Table Tie Rod Assembly (36" Center to Center)
24	070-006-399	Cross Beam
25	070-007-295	Table Support Weldment R.H.
26	070-007-296	Table Support Weldment L.H. (Not Shown)
27	070-007-303	Spacer (7/16 ID)
28	710-501-013	Grease Fitting
29	809-869-325	Screw, Hex Head Cap 7/16-14 x 2 Lg.
30	809-869-365	Screw, Hex Head Cap (Left Side) 7/16-14 x 2-1/4
31	809-869-445	Screw, Hex Head Cap (Right Side) 7/16-14 x 2 Lg.-Shown
32	835-570-002	Nut, Hex Jam 7/16-20
33	835-670-002	Nut, Hex Jam 7/16-20 L.H.
34	844-069-002	Locknut, Stover 7/16-14
35	949-100-002	Washer Plain 15/32 x 59/64 x 1/16 Thk.
<b>(C) CONNECTING ROD INSTALLATION</b>		
36	070-006-350	Bin Assembly (Must order parts)
37	070-006-495	Shutter Operator & solenoid Assembly (Must order parts)
38	809-865-245	Hex Head Cap Screw 3/8-16 x 1-1/2 Lg.
39	840-065-002	Locknut 3/8-16